

Job Name: 26-1199 Ferdinand Manholes
Job Location: Ferdinand, IN 47532
Contractor: Leiber Properties

PC: Trevor Lewis
 TECH: Jared - A
 Plant: 100



Structure ID: **SSMH #104-4 SS-MH**
 Spec: Sanitary
 Type: SAN.MH w/ConBlock-CDA Red
 Size: 48"

Rim: 506.97'
 Invert: 499.92'
 Rim to Invert: 7.05'

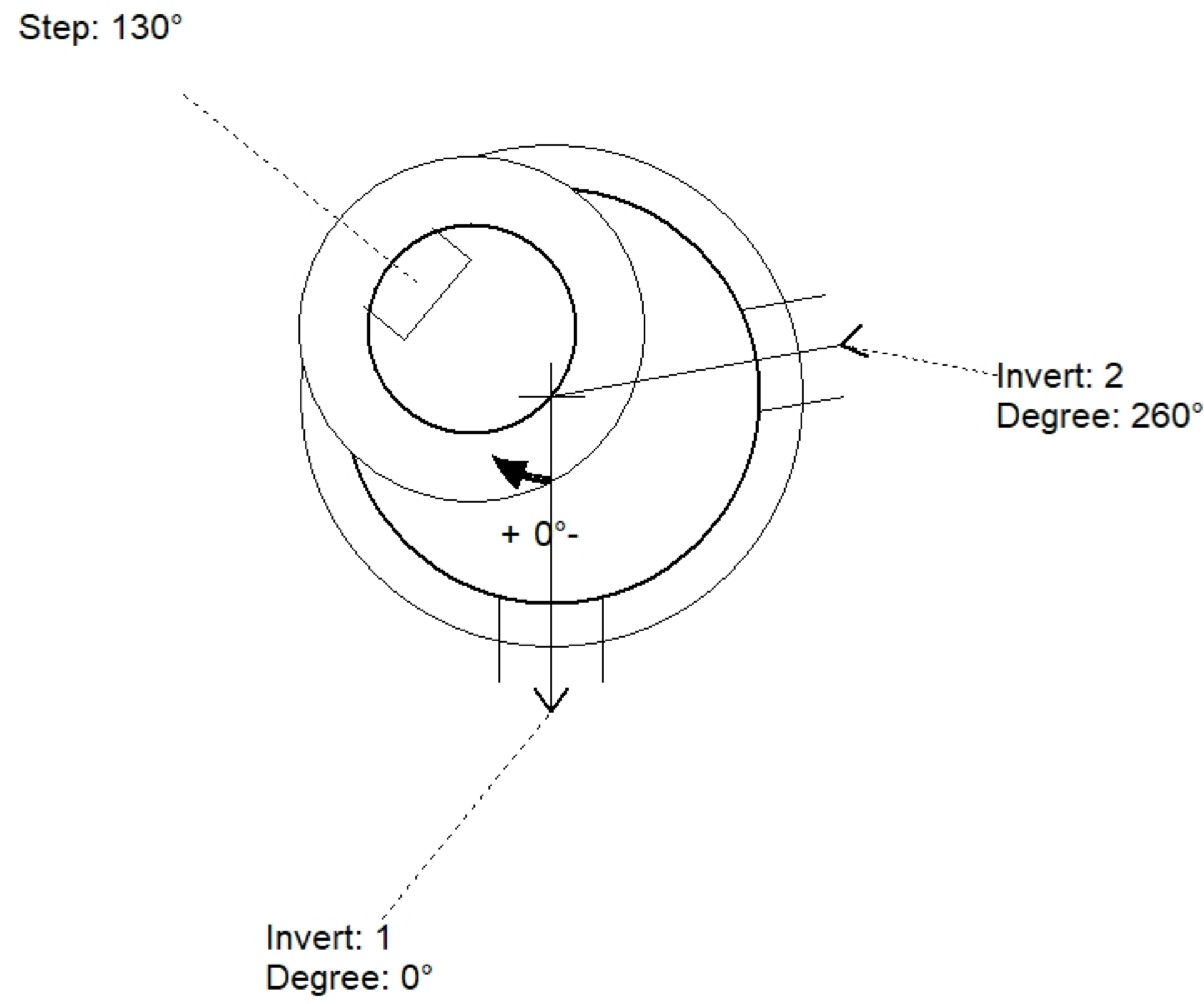
Sump: 3"
 Floor (Top): 499.67'
 Floor Height: 6"

Floor (Bot): 499.17'
 Overall Height: 7.583'
 Slack: 2.6"

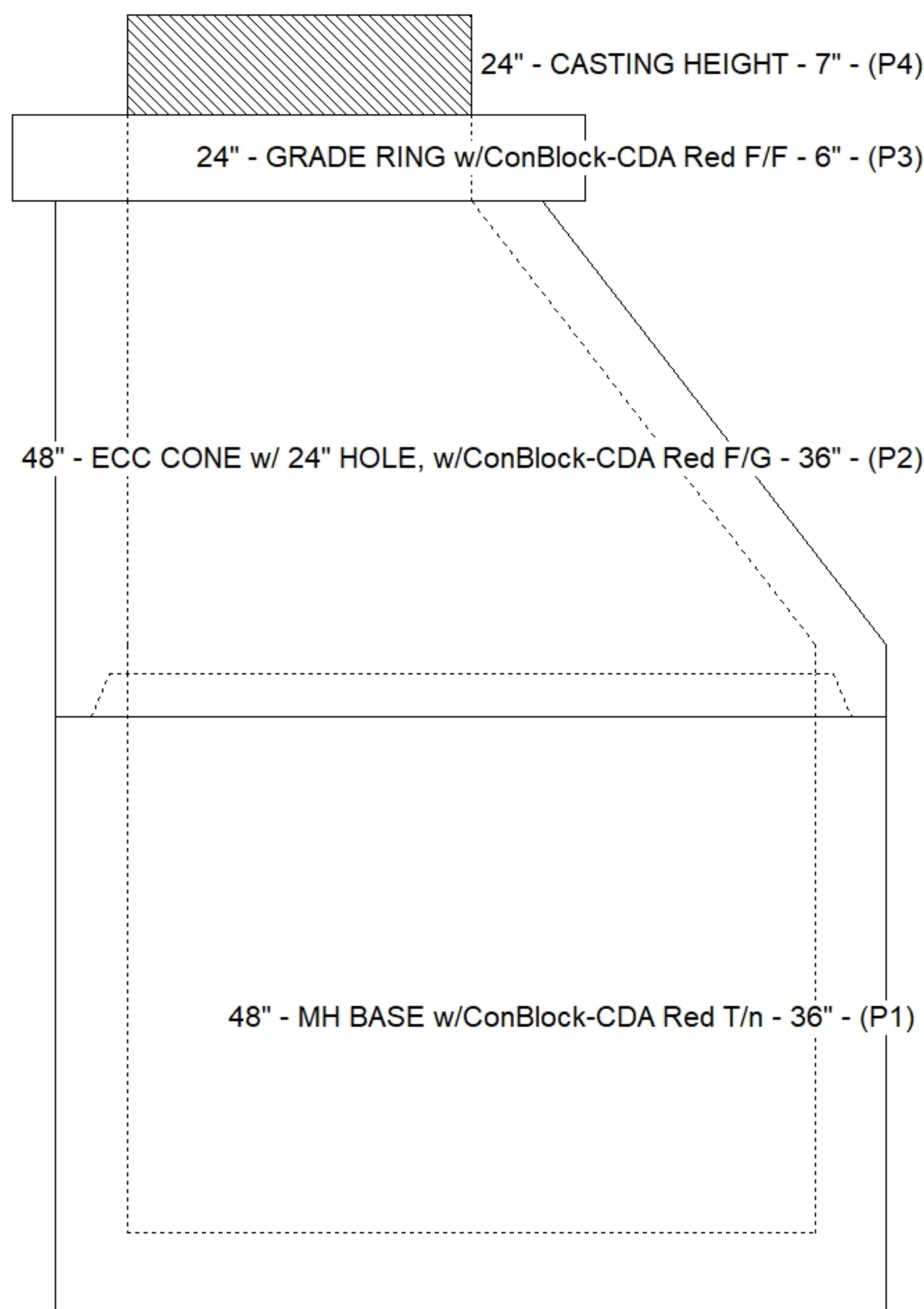
Structure Notes:
 PLAN LABEL : SSMH #104
 1. HOE MC-315 F/C SANITARY PROVIDED BY ICAST.
 2. PER ASTM C478 SPECIFICATIONS.
 3. CONCRETE = 4,000 PSI AT 28 DAYS.
 4. REINFORCING PER ASTM A615 (GRADE 60).
 - CONE (As .12)
 - RISER/WALLS (As .12)
 - FLOOR (As .31) #5 BARS AT 12" C.C.E.W.

STRUCTURE SUMMARY:

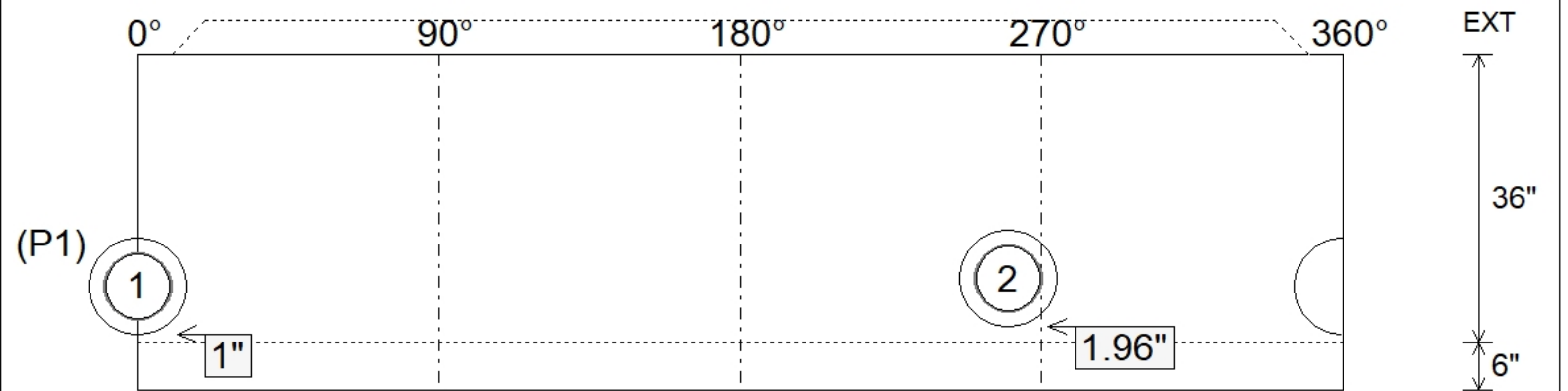
P4) 24" - CASTING HEIGHT - 7"	0 lb
P3) 24" - GRADE RING w/ConBlock-CDA Red F/F - 6"	405 lb
P2) 48" - ECC CONE w/ 24" HOLE, w/ConBlock-CDA Red F/G - 36"	2251 lb
P1) 48" - MH BASE w/ConBlock-CDA Red T/n - 36"	3749 lb
1) JOINT WRAP - 0.065"x6"x50' CONSEAL CS212	0 lb
1) JOINT WRAP PRIMER - CONSEAL CS-75 (1 gal.)	0 lb
1) 48" - MH INVERT CHANNEL w/ConBlock-CDA Red - FULL HEIGHT	1440 lb
1) CASTING - HOE MC-315 F/C Sanitary	258 lb
1) 48" - Con Seal CS-102 1.00" (Double)	0 lb
2) PSX - 12-08 NYLO	16 lb
6) MH Step ML-10-TDS-NCR - 10"	0 lb
Structure Total:	8119 lb



Position	Elev	Angle	Pipe	Pipe OD	Hole	Connector	Up ()	Ref
Rim	506.97'							
Reducer								
Invert 1	499.92'	0°	8" PVC SDR26	8.5"	12"	PSX 12-08 NYLO	1"	P1
Invert 2	500'	260°	8" PVC SDR26	8.5"	12"	PSX 12-08 NYLO	1.96"	P1
Invert 3								
Invert 4								
Invert 5								
Invert 6								
Invert 7								
Invert 8								



Default - Interior Dimensions



Submittal Drawing
 3/13/2026 9:26:10 AM

SUBMITTAL
 APPROVED BY: