

Job Name: 26-1199 Ferdinand Manholes  
 Job Location: Ferdinand, IN 47532  
 Contractor: Leiberling Properties

Plant: 100  
 3/12/2026 1:42:12 PM

Tech: Jared - A  
 PC: Trevor Lewis



**Structure ID: SSMH #104-4 SS-MH**

**P3 GR6CDARED**

**GRADE RING w/ConBlock-CDA Red F/F**

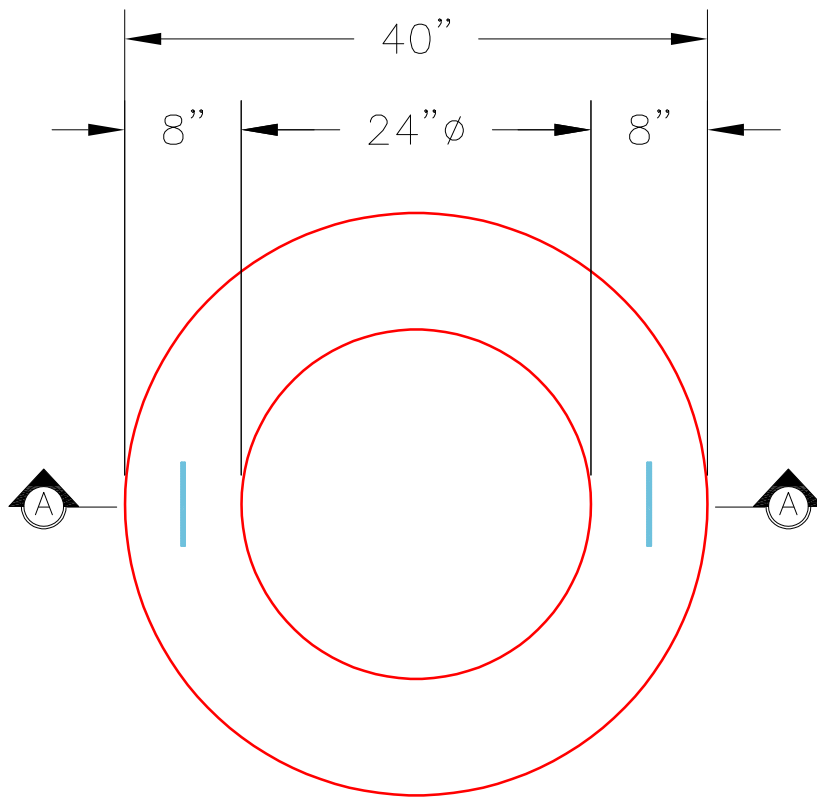
- P4) 24" - CASTING HEIGHT - 7"
- P3) 24" - GRADE RING w/ConBlock-CDA Red F/F - 6"
- P2) 48" - ECC CONE w/ 24" HOLE, w/ConBlock-CDA Red F/G - 36"
- P1) 48" - MH BASE w/ConBlock-CDA Red T/n - 36"
- 1) JOINT WRAP - 0.065"x6"x50' CONSEAL CS212
- 1) JOINT WRAP PRIMER - CONSEAL CS-75 (1 gal.)
- 1) 48" - MH INVERT CHANNEL w/ConBlock-CDA Red - FULL HEIGHT
- 1) CASTING - HOE MC-315 F/C Sanitary
- 1) 48" - Conseal CS-102 1.00" (Double)
- 2) PSX - 12-08 NYLO
- 6) MH Step ML-10-TDS-NCR - 10"

0 lb  
 405 lb  
 2251 lb  
 3749 lb  
 0 lb  
 0 lb  
 1440 lb  
 258 lb  
 0 lb  
 16 lb  
 0 lb  
 -----  
 8119 lb

Structure Notes:

- PLAN LABEL : SSMH #104
1. HOE MC-315 F/C SANITARY PROVIDED BY ICAST.
  2. PER ASTM C478 SPECIFICATIONS.
  3. CONCRETE = 4,000 PSI AT 28 DAYS.
  4. REINFORCING PER ASTM A615 (GRADE 60).  
 - CONE (As .12)  
 - RISER/WALLS (As .12)  
 - FLOOR (As .31) #5 BARS AT 12" C.C.E.W.

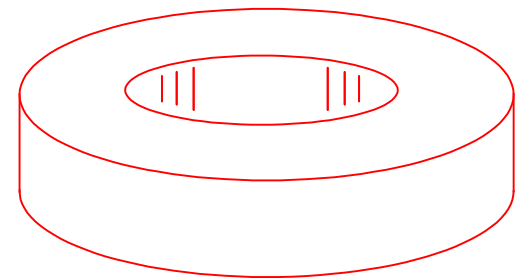
Structure Total: 8119 lb



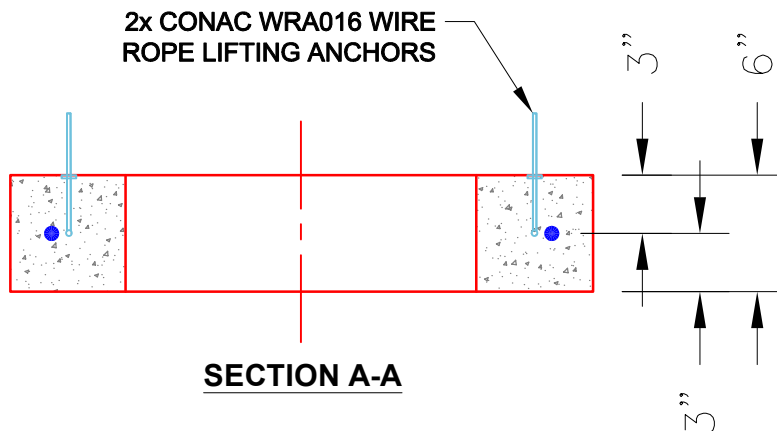
**PLAN VIEW**

**NOTES:**

1. GRADE RINGS MEET OR EXCEED THE FOLLOWING SPECIFICATIONS  
 -CONCRETE: 4,000 PSI @ 28 DAYS  
 -REINFORCING: (1) #3 HOOP CENTERED (GRADE 60)
2. WEIGHT: 6" 405 LBS.
3. ADMIXTURE: CONBLOCK-CDA RED



**ISOMETRIC VIEW**



**SECTION A-A**

Coating (Int):  
 Coating (Ext):

Seam Up: Flat  
 Seam Dn: Flat

Wall Thickness: 8"

Height (Ext): 6"

Weight (Net): 405 lb  
 Volume (Net): 0.1cu.yd