

Job Name: 26-1199 Ferdinand Manholes	Plant: 100	Tech: Jared - A	
Job Location: Ferdinand, IN 47532 Contractor: Leiberling Properties	3/13/2026 9:26:28 AM	PC: Trevor Lewis	

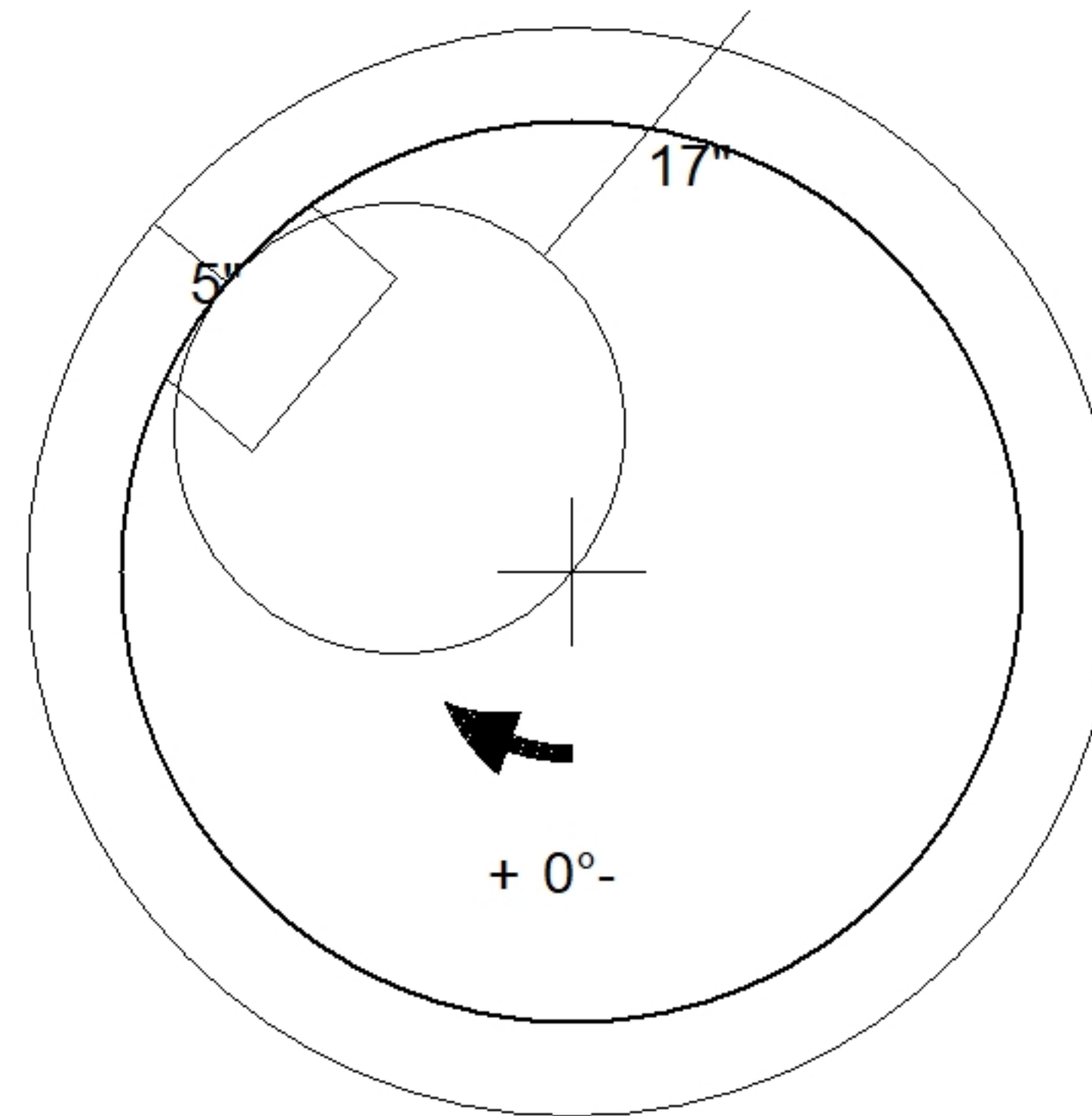
Structure ID: SSMH #104-4 SS-MH

P2 MH048CN36CDARED

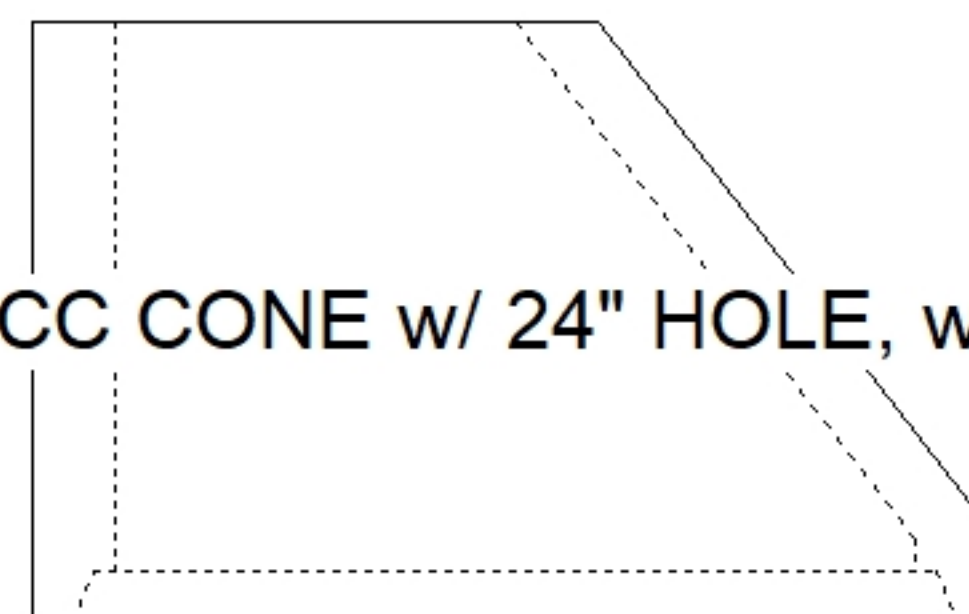
ECC CONE w/ 24" HOLE, w/ConBlock-CDA Red F/G

P4) 24" - CASTING HEIGHT - 7"	0 lb
P3) 24" - GRADE RING w/ConBlock-CDA Red F/F - 6"	405 lb
P2) 48" - ECC CONE w/ 24" HOLE, w/ConBlock-CDA Red F/G - 36"	2251 lb
P1) 48" - MH BASE w/ConBlock-CDA Red T/n - 36"	3749 lb
1) JOINT WRAP - 0.065"x6"x50' CONSEAL CS212	0 lb
1) JOINT WRAP PRIMER - CONSEAL CS-75 (1 gal.)	0 lb
1) 48" - MH INVERT CHANNEL w/ConBlock-CDA Red - FULL HEIGHT	1440 lb
1) CASTING - HOE MC-315 F/C Sanitary	258 lb
1) 48" - Conseal CS-102 1.00" (Double)	0 lb
2) PSX - 12-08 NYLO	16 lb
6) MH Step ML-10-TDS-NCR - 10"	0 lb
Structure Total:	8119 lb

Structure Notes:
 PLAN LABEL : SSMH #104
 1. HOE MC-315 F/C SANITARY PROVIDED BY ICAST.
 2. PER ASTM C478 SPECIFICATIONS.
 3. CONCRETE = 4,000 PSI AT 28 DAYS.
 4. REINFORCING PER ASTM A615 (GRADE 60).
 - CONE (As .12)
 - RISER/WALLS (As .12)
 - FLOOR (As .31) #5 BARS AT 12" C.C.E.W.



48" - ECC CONE w/ 24" HOLE, w/ConBlock-CDA Red F/G - 36" - (P2)



Coating (Int):	Seam Up: Flat	Wall Thickness: 5"	Height (Ext): 36"	Weight (Net): 2251 lb
Coating (Ext):	Seam Dn: Groove			Volume (Net): 0.57cu.yd