

**Structure ID: SSMH #104-4 SS-MH**

**P1 MH048BA36CDARED**

**MH BASE w/ConBlock-CDA Red T/n**

P4) 24" - CASTING HEIGHT - 7"	0 lb
P3) 24" - GRADE RING w/ConBlock-CDA Red F/F - 6"	405 lb
P2) 48" - ECC CONE w/ 24" HOLE, w/ConBlock-CDA Red F/G - 36"	2251 lb
P1) 48" - MH BASE w/ConBlock-CDA Red T/n - 36"	3749 lb
1) JOINT WRAP - 0.065"x6"x50' CONSEAL CS212	0 lb
1) JOINT WRAP PRIMER - CONSEAL CS-75 (1 gal.)	0 lb
1) 48" - MH INVERT CHANNEL w/ConBlock-CDA Red - FULL HEIGHT	1440 lb
1) CASTING - HOE MC-315 F/C Sanitary	258 lb
1) 48" - Conseal CS-102 1.00" (Double)	0 lb
2) PSX - 12-08 NYLO	16 lb
6) MH Step ML-10-TDS-NCR - 10"	0 lb
<b>Structure Total:</b>	<b>8119 lb</b>

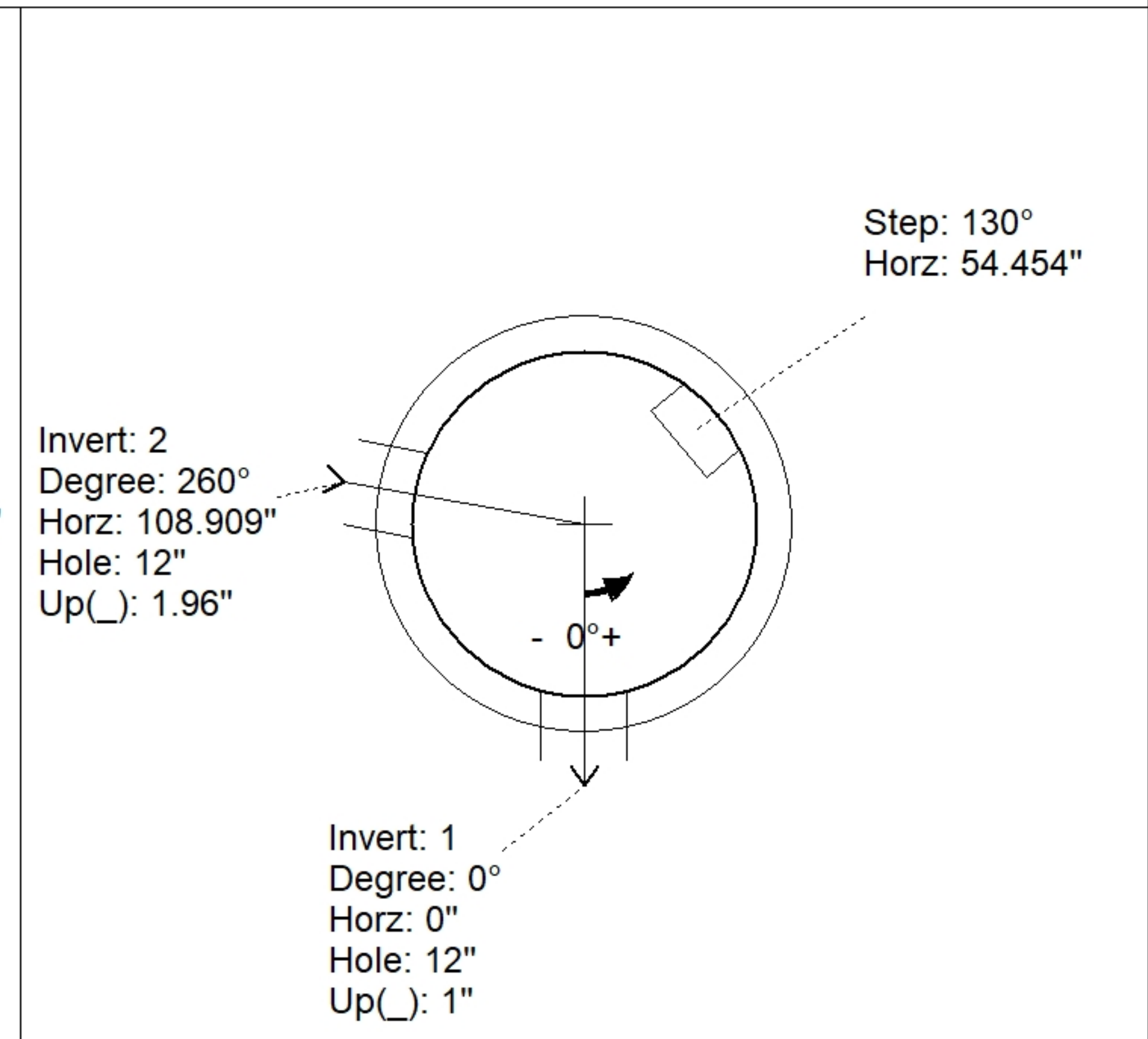
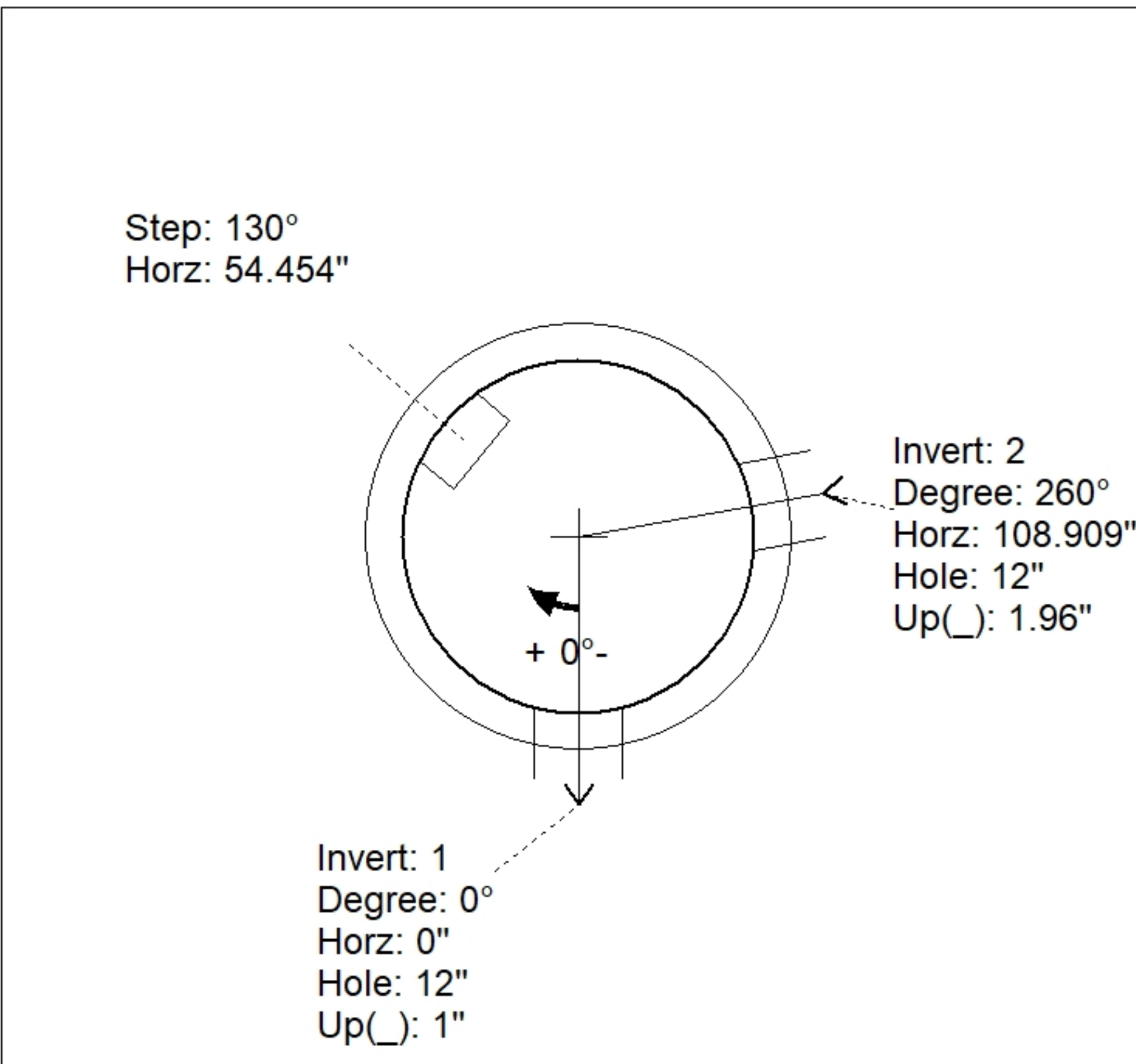
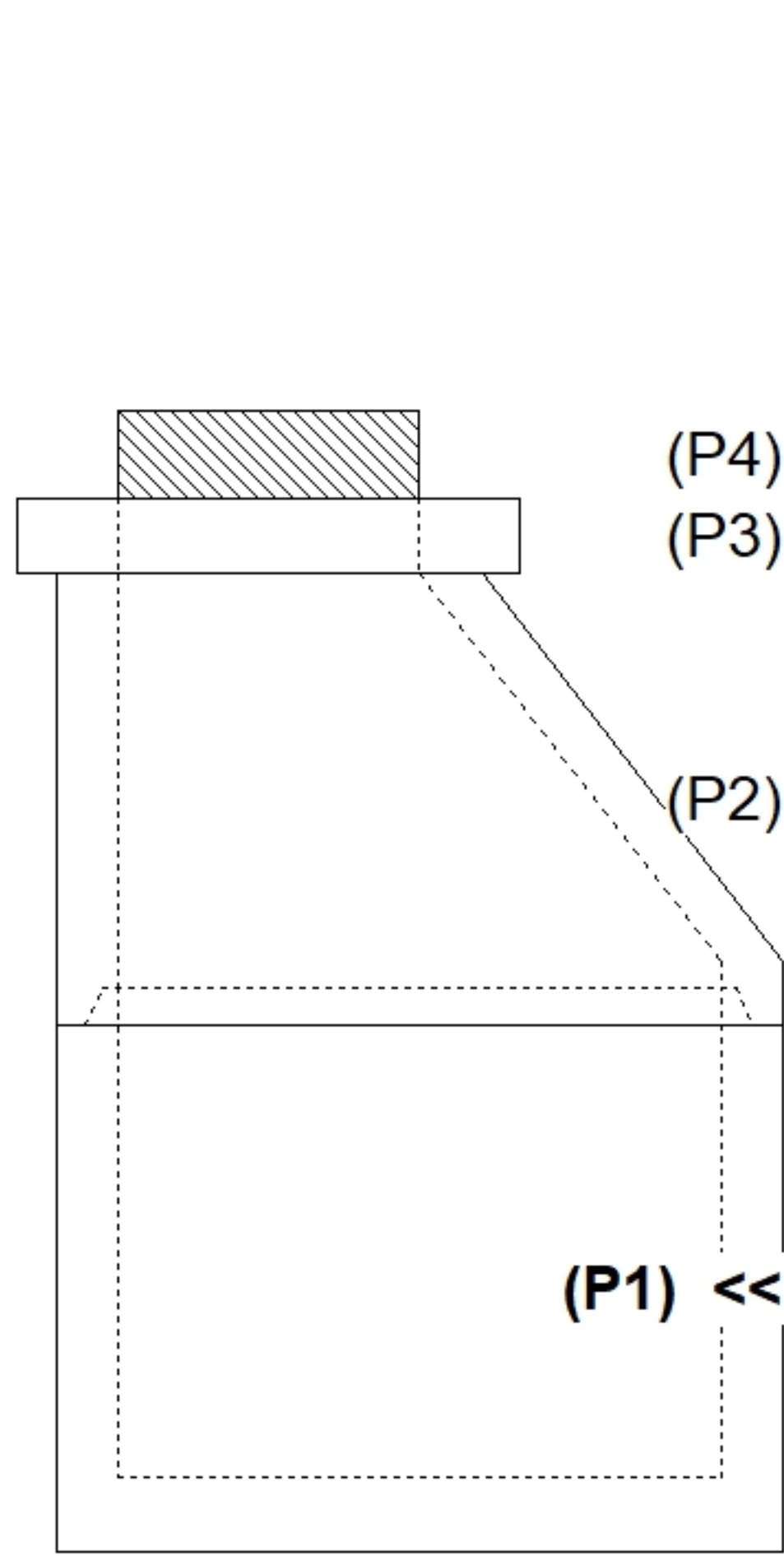
**Structure Notes:**  
 PLAN LABEL : SSMH #104  
 1. HOE MC-315 F/C SANITARY PROVIDED BY ICAST.  
 2. PER ASTM C478 SPECIFICATIONS.  
 3. CONCRETE = 4,000 PSI AT 28 DAYS.  
 4. REINFORCING PER ASTM A615 (GRADE 60).  
 - CONE (As .12)  
 - RISER/WALLS (As .12)  
 - FLOOR (As .31) #5 BARS AT 12" C.C.E.W.

Rim: 506.97'    Rim to Invert: 7.05'    Slack: 2.6"    Sump: 3"    Step Position: 130°

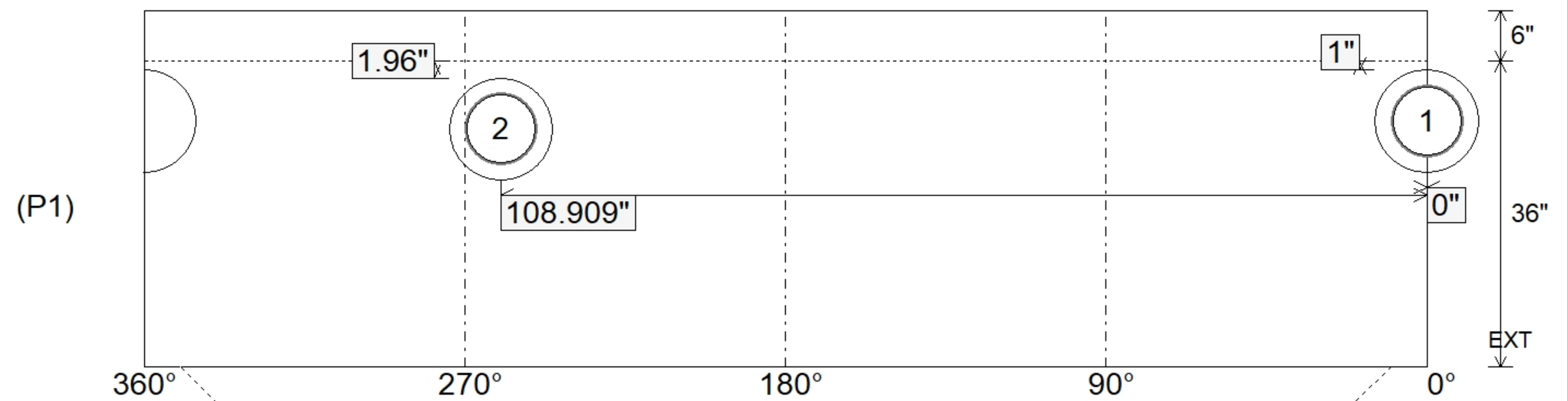
Position	Elev	Angle	Ext. (cw)	Pipe	Pipe OD	Connector	Hole	Horz Size	Up ( )	Offset
Invert 1	499.92'	0°	0"	8" PVC SDR26	8.5"	PSX 12-08 NYLO	12"	12.129"	1"	0"
Invert 2	500'	260°	131.598"	8" PVC SDR26	8.5"	PSX 12-08 NYLO	12"	12.129"	1.96"	0"
Invert 3										
Invert 4										
Invert 5										
Invert 6										
Invert 7										
Invert 8										

**RIGHT-SIDE UP VIEW (int. dimensions)**

**UPSIDE-DOWN VIEW (int. dimensions)**



**INSIDE WALL DIMENSIONS**



Coating (Int):	Seam Up: Tongue	Wall Thickness: 5"	Height (Int): 36"	Weight (Net): 3749 lb
Coating (Ext):	Seam Dn: n/a	Floor Height: 6"	Height (Ext): 42"	Volume (Net): 0.96cu.yd