

Job Name: 26-1199 Ferdinand Manholes
Job Location: Ferdinand, IN 47532
Contractor: Leibering Properties

PC: Trevor Lewis
 TECH: Jared - A
 Plant: 100



Structure ID: **SSMH #102-3 SS-MH**
 Spec: Sanitary
 Type: SAN.MH w/ConBlock-CDA Red
 Size: 48"

Rim: 508.19'
 Invert: 499.44'
 Rim to Invert: 8.75'

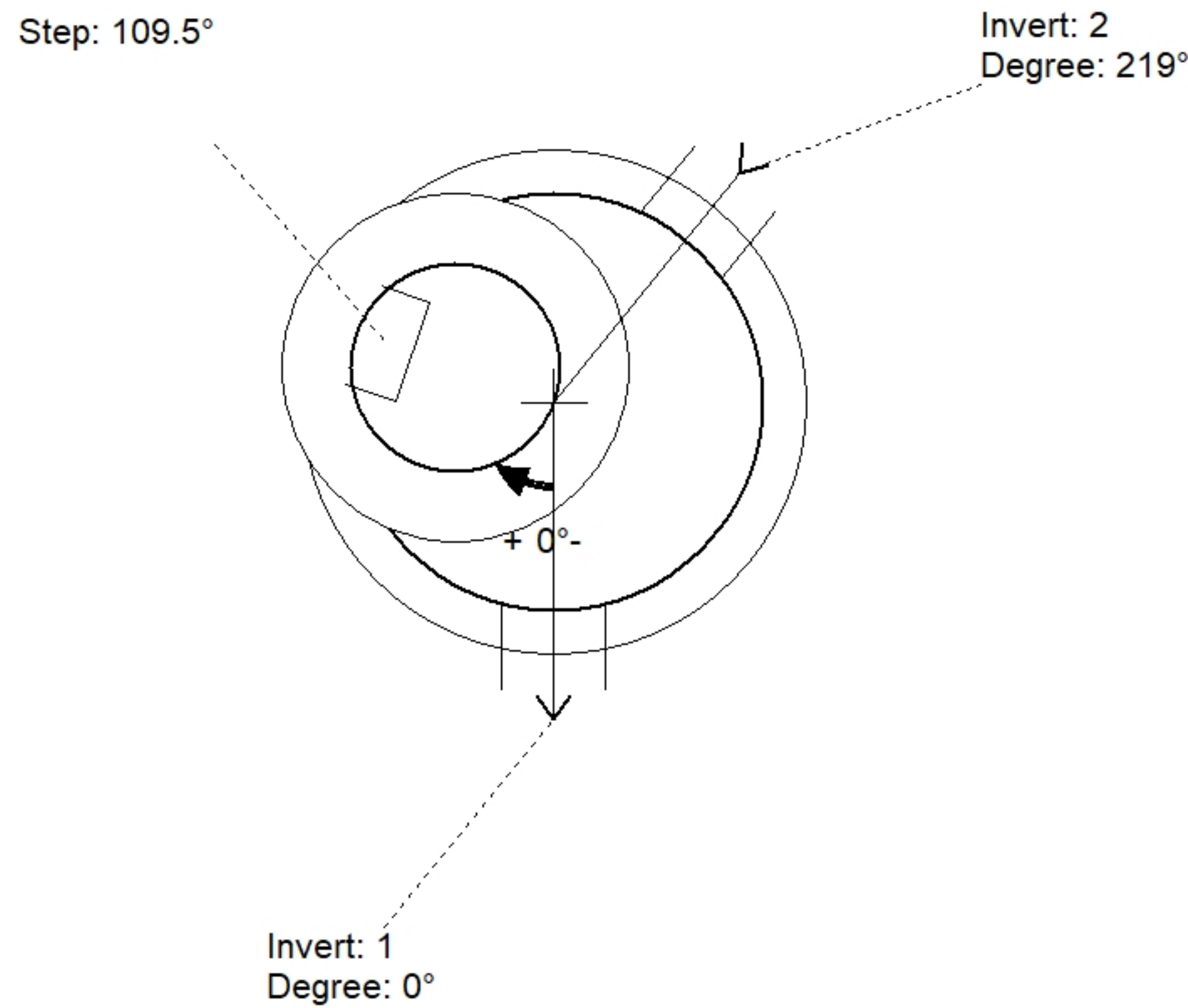
Sump: 3"
 Floor (Top): 499.19'
 Floor Height: 6"

Floor (Bot): 498.69'
 Overall Height: 9.333'
 Slack: 2"

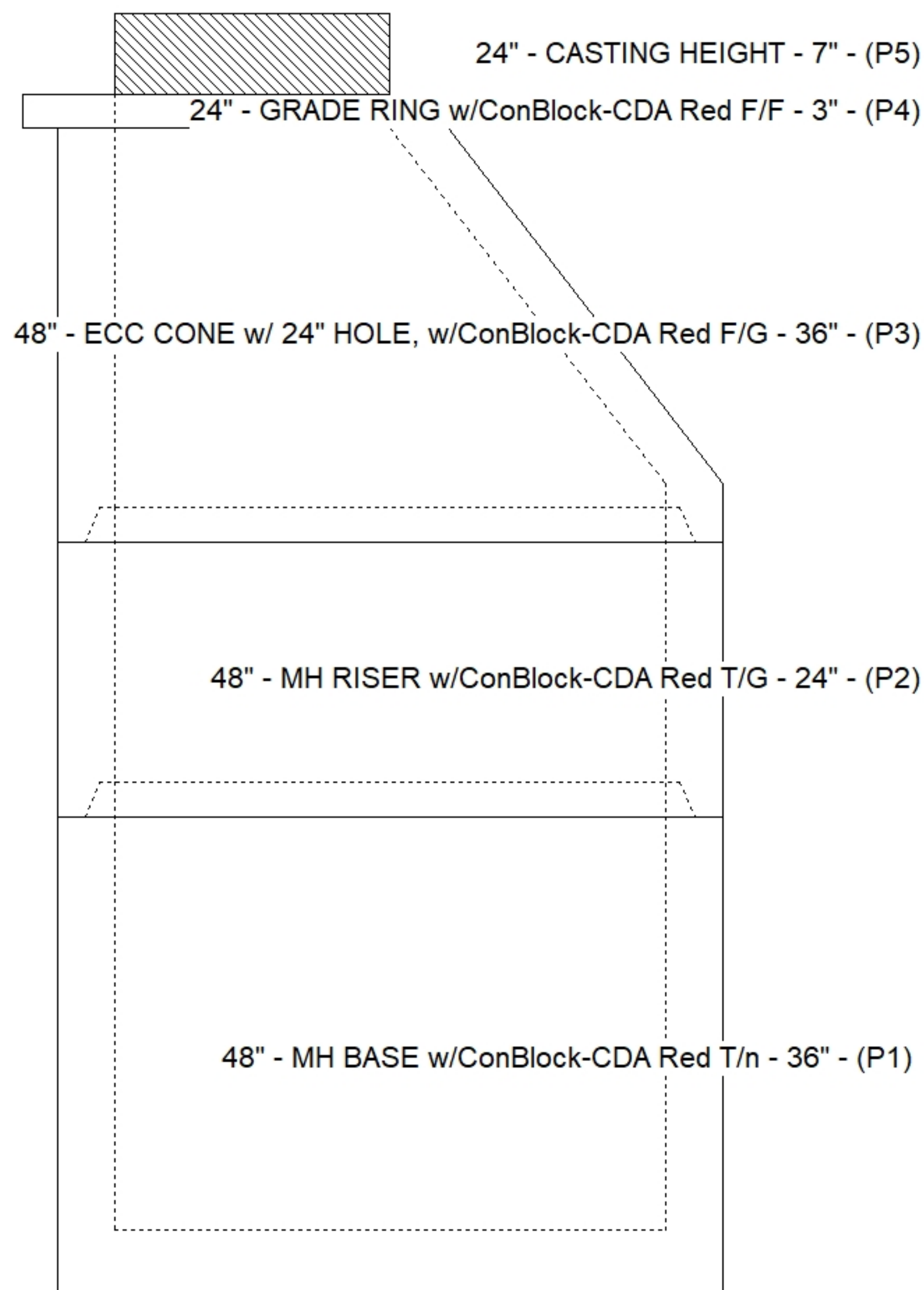
Structure Notes:
 PLAN LABEL : SSMH #102
 1. HOE MC-315 F/C SANITARY PROVIDED BY ICAST.
 2. PER ASTM C478 SPECIFICATIONS.
 3. CONCRETE = 4,000 PSI AT 28 DAYS.
 4. REINFORCING PER ASTM A615 (GRADE 60).
 - CONE (As .12)
 - RISER/WALLS (As .12)
 - FLOOR (As .31) #5 BARS AT 12" C.C.E.W.

STRUCTURE SUMMARY:

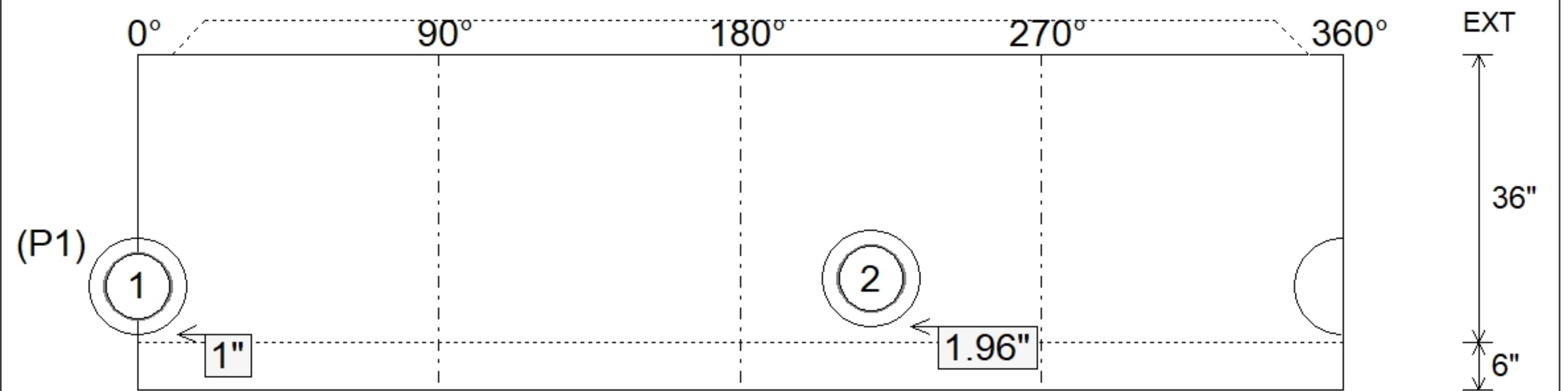
| | |
|--------------------------------------------------------------|----------------|
| P5) 24" - CASTING HEIGHT - 7" | 0 lb |
| P4) 24" - GRADE RING w/ConBlock-CDA Red F/F - 3" | 202 lb |
| P3) 48" - ECC CONE w/ 24" HOLE, w/ConBlock-CDA Red F/G - 36" | 2251 lb |
| P2) 48" - MH RISER w/ConBlock-CDA Red T/G - 24" | 1677 lb |
| P1) 48" - MH BASE w/ConBlock-CDA Red T/n - 36" | 3749 lb |
| 1) JOINT WRAP - 0.065"x6"x50' CONSEAL CS212 | 0 lb |
| 1) JOINT WRAP PRIMER - CONSEAL CS-75 (1 gal.) | 0 lb |
| 1) 48" - MH INVERT CHANNEL w/ConBlock-CDA Red - FULL HEIGHT | 1440 lb |
| 1) CASTING - HOE MC-315 F/C Sanitary | 258 lb |
| 2) 48" - Conseal CS-102 1.00" (Double) | 0 lb |
| 2) PSX - 12-08 NYLO | 16 lb |
| 8) MH Step ML-10-TDS-NCR - 10" | 0 lb |
| Structure Total: | 9594 lb |



| Position | Elev | Angle | Pipe | Pipe OD | Hole | Connector | Up (") | Ref |
|----------|---------|-------|--------------|---------|------|----------------|--------|-----|
| Rim | 508.19' | | | | | | | |
| Reducer | | | | | | | | |
| Invert 1 | 499.44' | 0° | 8" PVC SDR26 | 8.5" | 12" | PSX 12-08 NYLO | 1" | P1 |
| Invert 2 | 499.52' | 219° | 8" PVC SDR26 | 8.5" | 12" | PSX 12-08 NYLO | 1.96" | P1 |
| Invert 3 | | | | | | | | |
| Invert 4 | | | | | | | | |
| Invert 5 | | | | | | | | |
| Invert 6 | | | | | | | | |
| Invert 7 | | | | | | | | |
| Invert 8 | | | | | | | | |



Default - Interior Dimensions



Submittal Drawing
 3/13/2026 9:26:09 AM

SUBMITTAL
 APPROVED BY: