

Job Name: 26-1199 Ferdinand Manholes  
 Job Location: Ferdinand, IN 47532  
 Contractor: Leiberling Properties

Plant: 100  
 3/12/2026 1:42:11 PM

Tech: Jared - A  
 PC: Trevor Lewis



**Structure ID: SSMH #102-3 SS-MH**

**P4 GR3CDARED**

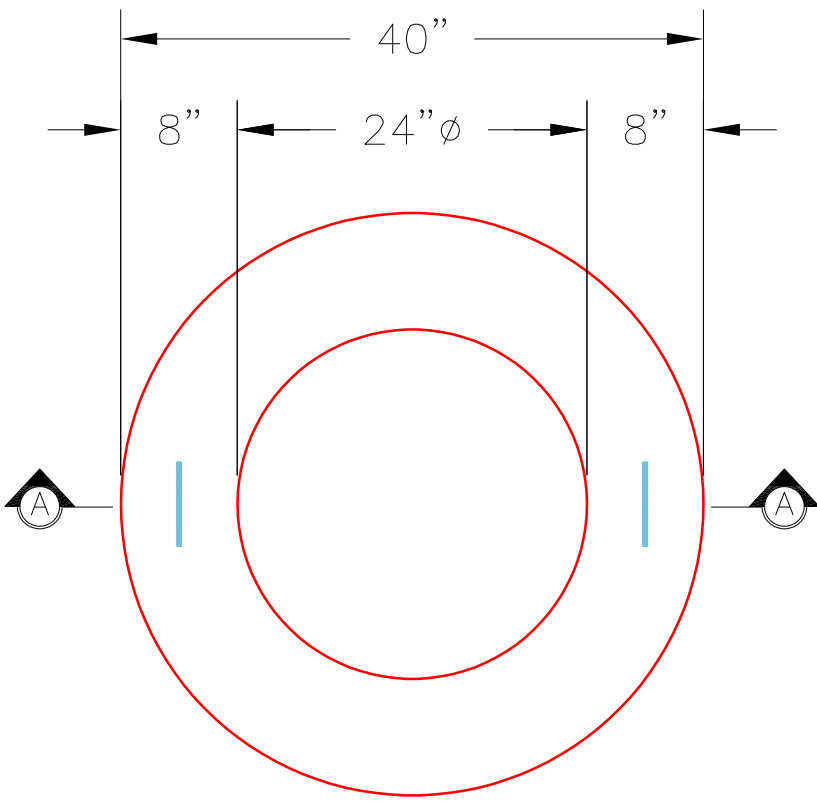
**GRADE RING w/ConBlock-CDA Red F/F**

- P5) 24" - CASTING HEIGHT - 7"
- P4) 24" - GRADE RING w/ConBlock-CDA Red F/F - 3"
- P3) 48" - ECC CONE w/ 24" HOLE, w/ConBlock-CDA Red F/G - 36"
- P2) 48" - MH RISER w/ConBlock-CDA Red T/G - 24"
- P1) 48" - MH BASE w/ConBlock-CDA Red T/n - 36"
- 1) JOINT WRAP - 0.065"x6"x50' CONSEAL CS212
- 1) JOINT WRAP PRIMER - CONSEAL CS-75 (1 gal.)
- 1) 48" - MH INVERT CHANNEL w/ConBlock-CDA Red - FULL HEIGHT
- 1) CASTING - HOE MC-315 F/C Sanitary
- 2) 48" - Conseal CS-102 1.00" (Double)
- 2) PSX - 12-08 NYLO
- 8) MH Step ML-10-TDS-NCR - 10"

0 lb  
 202 lb  
 2251 lb  
 1677 lb  
 3749 lb  
 0 lb  
 0 lb  
 1440 lb  
 258 lb  
 0 lb  
 16 lb  
 0 lb  
 -----  
 Structure Total: 9594 lb

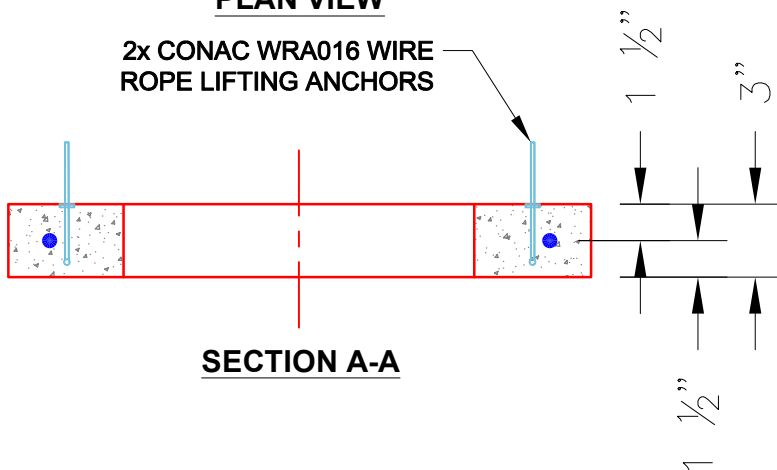
Structure Notes:

- PLAN LABEL : SSMH #102
1. HOE MC-315 F/C SANITARY PROVIDED BY ICAST.
  2. PER ASTM C478 SPECIFICATIONS.
  3. CONCRETE = 4,000 PSI AT 28 DAYS.
  4. REINFORCING PER ASTM A615 (GRADE 60).
    - CONE (As .12)
    - RISER/WALLS (As .12)
    - FLOOR (As .31) #5 BARS AT 12" C.C.E.W.



**PLAN VIEW**

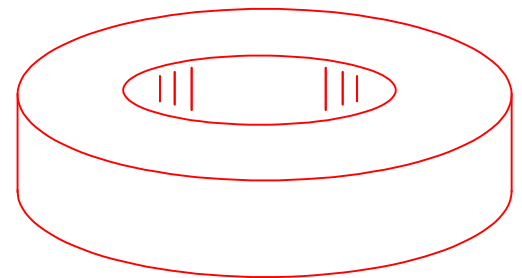
2x CONAC WRA016 WIRE ROPE LIFTING ANCHORS



**SECTION A-A**

**NOTES:**

1. GRADE RINGS MEET OR EXCEED THE FOLLOWING SPECIFICATIONS
  - CONCRETE: 4,000 PSI @ 28 DAYS
  - REINFORCING: (1) #3 HOOP CENTERED (GRADE 60)
2. WEIGHT: 3" 202 LBS.
3. ADMIXTURE: CONBLOCK-CDA RED



**ISOMETRIC VIEW**

Coating (Int):  
 Coating (Ext):

Seam Up: Flat  
 Seam Dn: Flat

Wall Thickness: 8"

Height (Ext): 3"

Weight (Net): 202 lb  
 Volume (Net): 0.05cu.yd