

Job Name: 26-1199 Ferdinand Manholes
Job Location: Ferdinand, IN 47532
Contractor: Leiber Properties

PC: Trevor Lewis
 TECH: Jared - A
 Plant: 100



Structure ID: **SSMH #100-2 SS-MHDH**

Spec: Sanitary
 Type: SAN.MH Doghouse w/ConBlockCDA Red
 Size: 48"

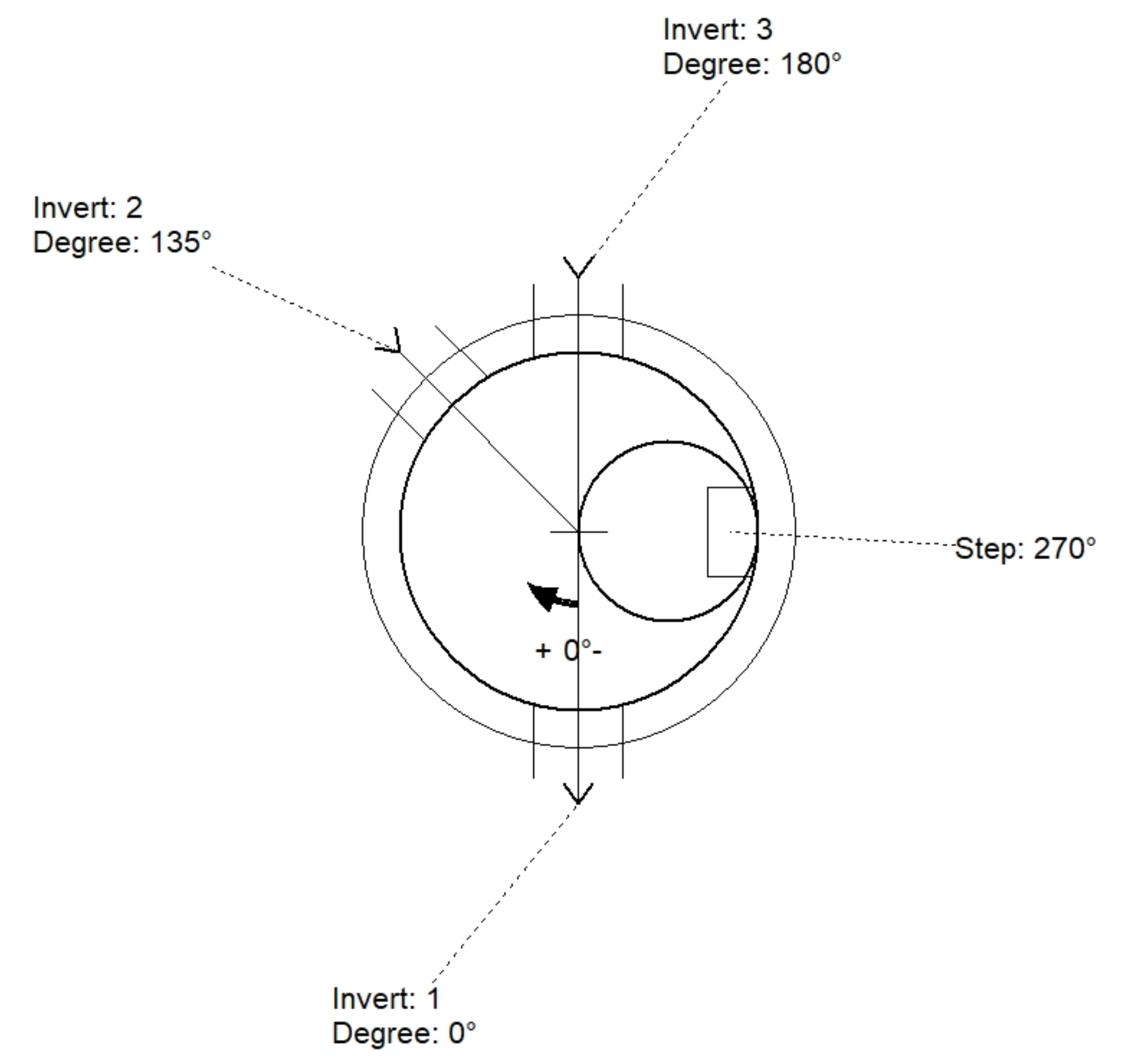
Rim: 509.44' Sump: 5" Floor (Bot): 498.773'
 Invert: 499.19' Floor (Top): 498.773' Overall Height: 10.5'
 Rim to Invert: 10.25' Floor Height: 0" Slack: 2"

Structure Notes:

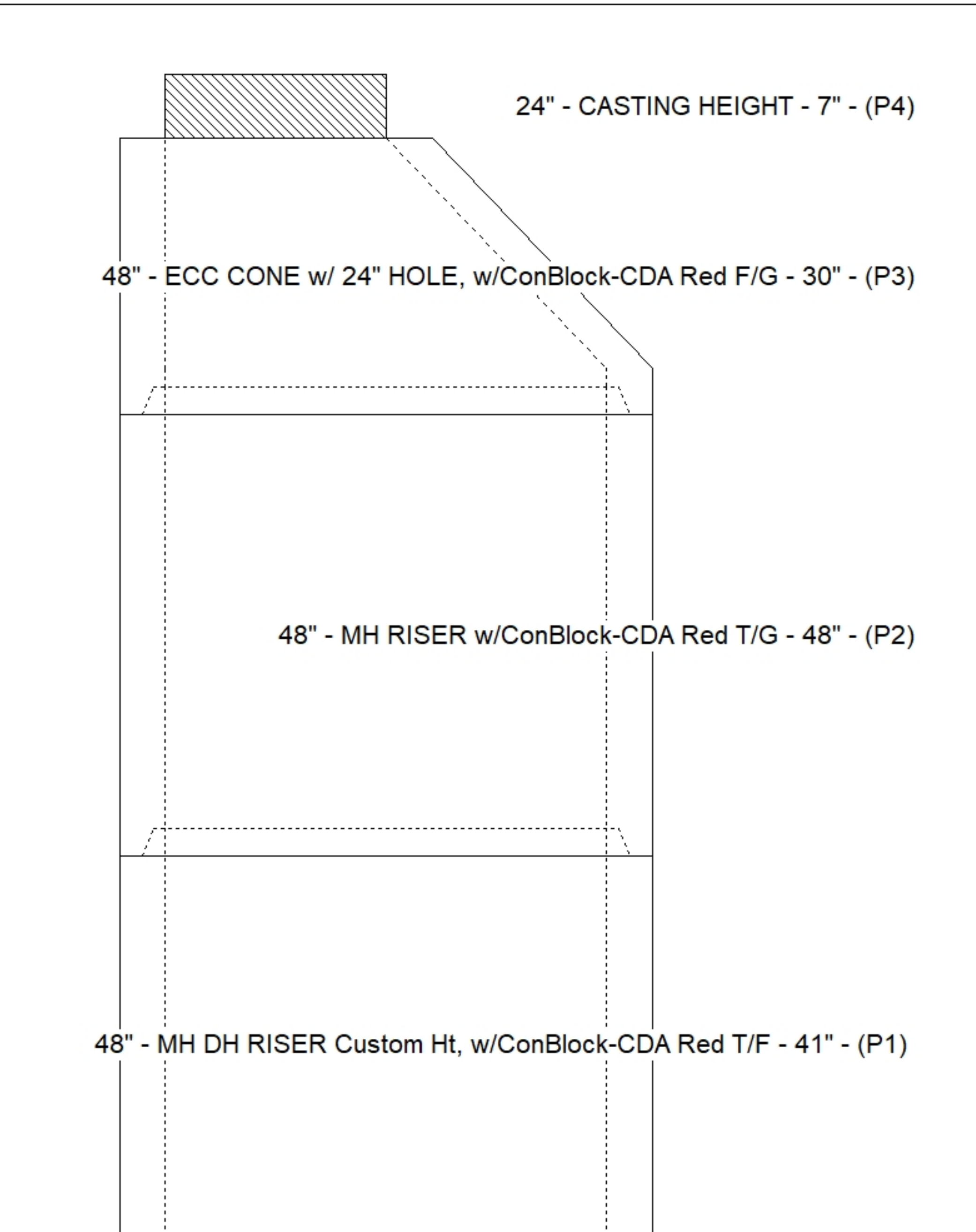
- PLAN LABEL : SSMH #100 (DOGHOUSE)
 1. HOE MC-315 F/C SANITARY PROVIDED BY ICAST.
 2. PER ASTM C478 SPECIFICATIONS.
 3. CONCRETE = 4,000 PSI AT 28 DAYS.
 4. REINFORCING PER ASTM A615 (GRADE 60).
 - CONE (As .12)
 - RISER/WALLS (As .18)

STRUCTURE SUMMARY:

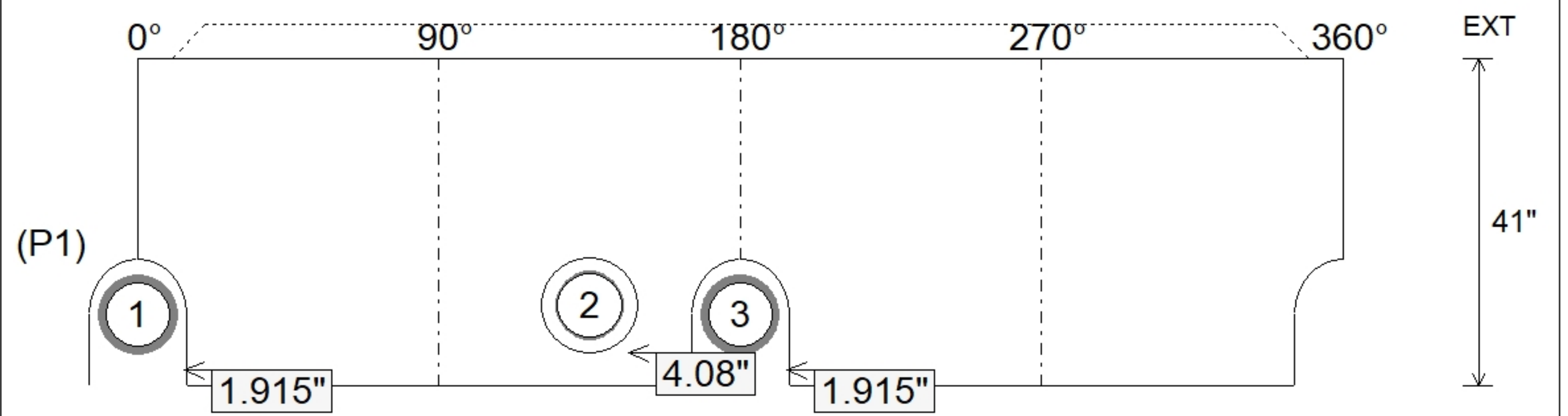
P4) 24" - CASTING HEIGHT - 7"	0 lb
P3) 48" - ECC CONE w/ 24" HOLE, w/ConBlock-CDA Red F/G - 30"	1961 lb
P2) 48" - MH RISER w/ConBlock-CDA Red T/G - 48"	3353 lb
P1) 48" - MH DH RISER Custom Ht, w/ConBlock-CDA Red T/F - 41"	2670 lb
1) 48" - MH INVERT CHANNEL w/ConBlock-CDA Red - FULL HEIGHT	1440 lb
1) JOINT WRAP - 0.065"x6"x50' CONSEAL CS212	0 lb
1) JOINT WRAP PRIMER - CONSEAL CS-75 (1 gal.)	0 lb
1) CASTING - HOE MC-315 F/C Sanitary	258 lb
2) 48" - Conseal CS-102 1.00" (Double)	0 lb
2) DOGHOUSE - 12"x14"	0 lb
1) PSX - 12-08 NYLO	8 lb
10) MH Step ML-10-TDS-NCR - 10"	0 lb
Structure Total:	9691 lb



Position	Elev	Angle	Pipe	Pipe OD	Hole	Connector	Up ()	Ref
Rim	509.44'							
Reducer								
Invert 1	499.19'	0°	8" VCP	9.8"	12" x 14"	DOGHOUSE 12"x14"	1.915"	P1
Invert 2	499.28'	135°	8" PVC SDR26	8.5"	12"	PSX 12-08 NYLO	4.08"	P1
Invert 3	499.19'	180°	8" VCP	9.8"	12" x 14"	DOGHOUSE 12"x14"	1.915"	P1
Invert 4								
Invert 5								
Invert 6								
Invert 7								
Invert 8								



Default - Interior Dimensions



Submittal Drawing
 3/13/2026 9:26:07 AM

SUBMITTAL
 APPROVED BY: