

Job Name: 26-1199 Ferdinand Manholes  
 Job Location: Ferdinand, IN 47532  
 Contractor: Leiber Properties

Plant: 100  
 3/13/2026 9:26:26 AM

Tech: Jared - A  
 PC: Trevor Lewis



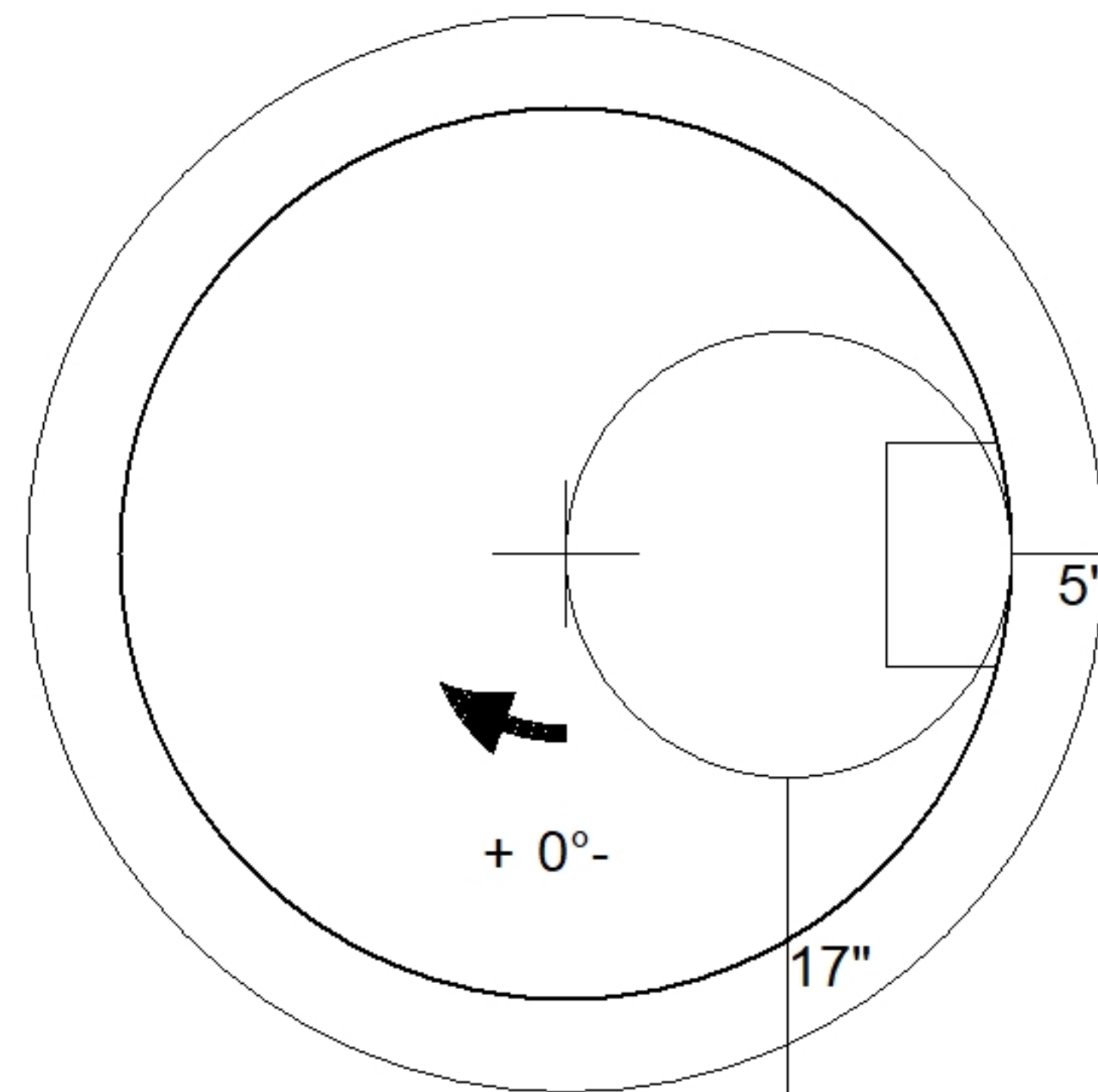
**Structure ID: SSMH #100-2 SS-MHDH**

**P3 MH048CN30CDARED**

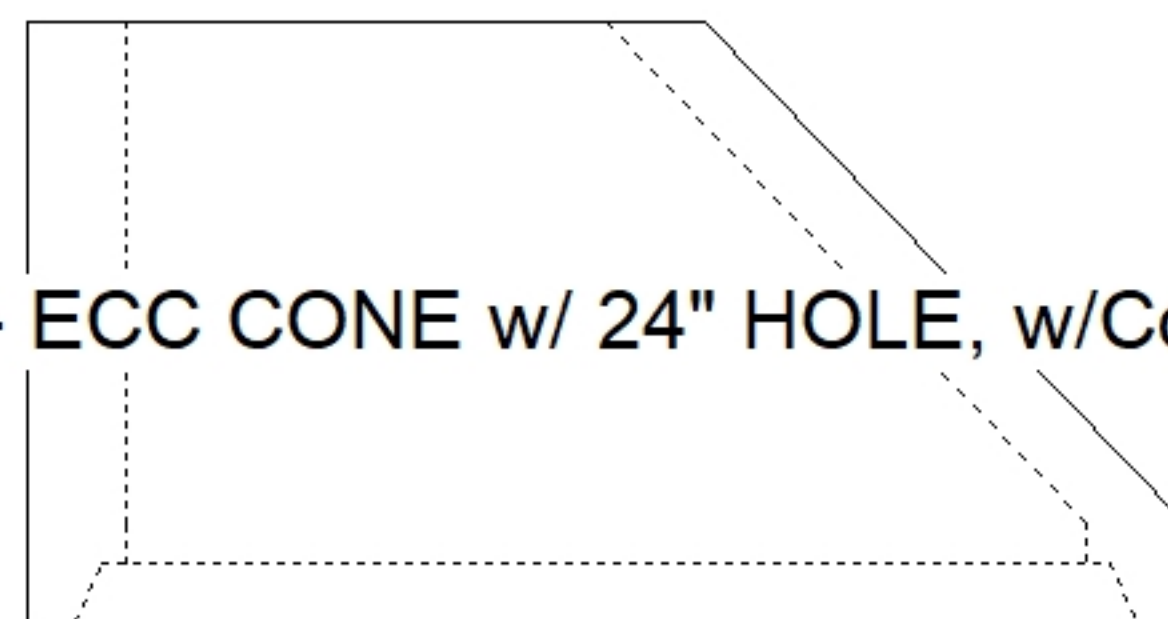
**ECC CONE w/ 24" HOLE, w/ConBlock-CDA Red F/G**

P4) 24" - CASTING HEIGHT - 7"	0 lb
P3) 48" - ECC CONE w/ 24" HOLE, w/ConBlock-CDA Red F/G - 30"	1961 lb
P2) 48" - MH RISER w/ConBlock-CDA Red T/G - 48"	3353 lb
P1) 48" - MH DH RISER Custom Ht, w/ConBlock-CDA Red T/F - 41"	2670 lb
1) 48" - MH INVERT CHANNEL w/ConBlock-CDA Red - FULL HEIGHT	1440 lb
1) JOINT WRAP - 0.065"x6"x50' CONSEAL CS212	0 lb
1) JOINT WRAP PRIMER - CONSEAL CS-75 (1 gal.)	0 lb
1) CASTING - HOE MC-315 F/C Sanitary	258 lb
2) 48" - Conseal CS-102 1.00" (Double)	0 lb
2) DOGHOUSE - 12"x14"	0 lb
1) PSX - 12-08 NYLO	8 lb
10) MH Step ML-10-TDS-NCR - 10"	0 lb
Structure Total:	9691 lb

Structure Notes:  
 PLAN LABEL : SSMH #100 (DOGHOUSE)  
 1. HOE MC-315 F/C SANITARY PROVIDED BY ICAST.  
 2. PER ASTM C478 SPECIFICATIONS.  
 3. CONCRETE = 4,000 PSI AT 28 DAYS.  
 4. REINFORCING PER ASTM A615 (GRADE 60).  
 - CONE (As .12)  
 - RISER/WALLS (As .18)



48" - ECC CONE w/ 24" HOLE, w/ConBlock-CDA Red F/G - 30" - (P3)



Coating (Int): Coating (Ext):	Seam Up: Flat Seam Dn: Groove	Wall Thickness: 5"	Height (Ext): 30"	Weight (Net): 1961 lb Volume (Net): 0.5cu.yd
----------------------------------	----------------------------------	--------------------	-------------------	---