

Job Name: 26-1199 Ferdinand Manholes	Plant: 100	Tech: Jared - A	
Job Location: Ferdinand, IN 47532	3/13/2026 9:26:39 AM	PC: Trevor Lewis	
Contractor: Leiberling Properties			

**Structure ID: SSMH #100-2 SS-MHDH**

**P2 MH048RS48CDARED**

**MH RISER w/ConBlock-CDA Red T/G**

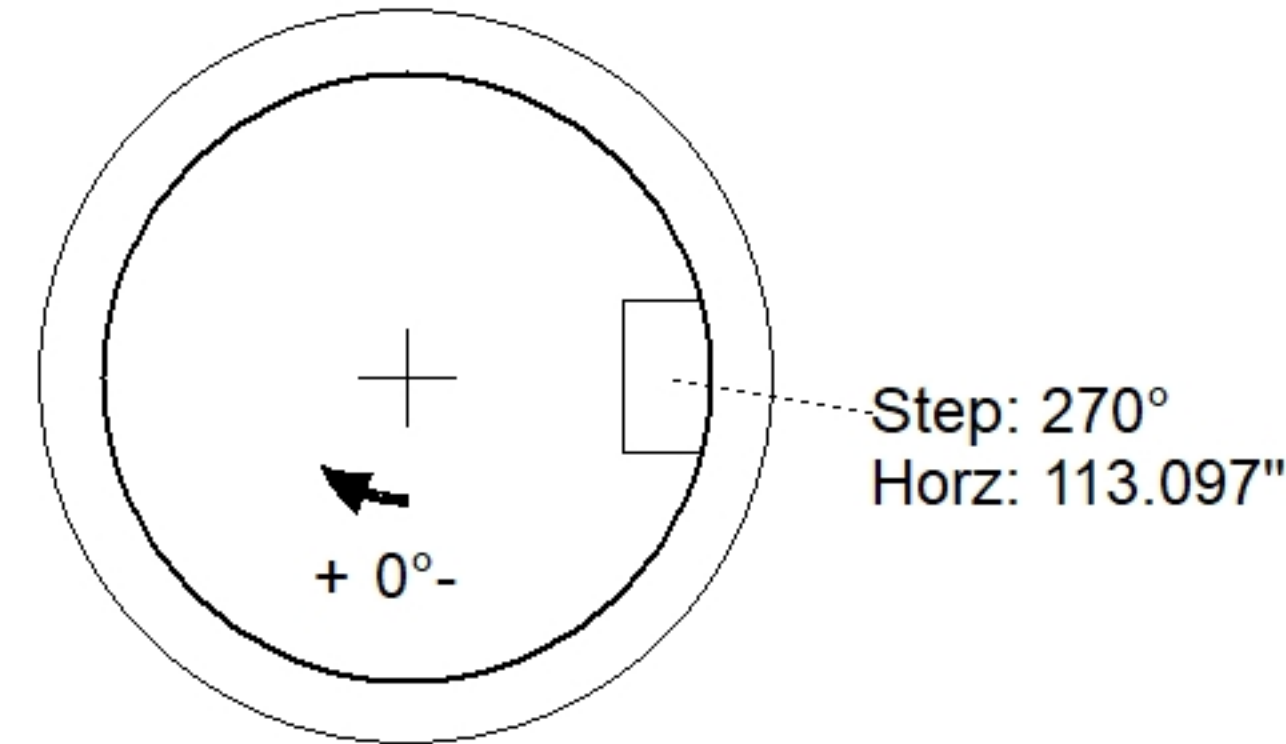
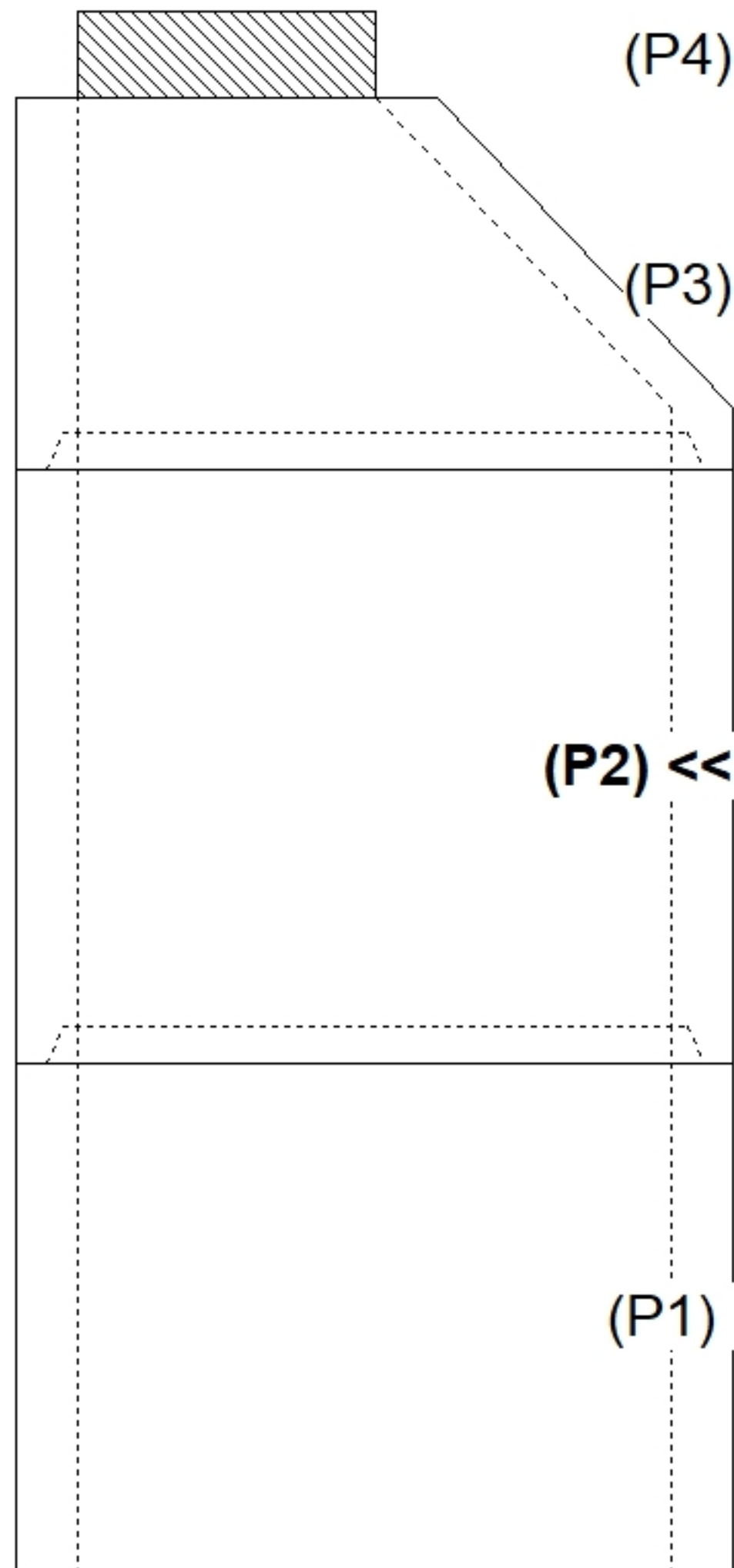
P4) 24" - CASTING HEIGHT - 7"	0 lb
P3) 48" - ECC CONE w/ 24" HOLE, w/ConBlock-CDA Red F/G - 30"	1961 lb
P2) 48" - MH RISER w/ConBlock-CDA Red T/G - 48"	3353 lb
P1) 48" - MH DH RISER Custom Ht, w/ConBlock-CDA Red T/F - 41"	2670 lb
1) 48" - MH INVERT CHANNEL w/ConBlock-CDA Red - FULL HEIGHT	1440 lb
1) JOINT WRAP - 0.065"x6"x50' CONSEAL CS212	0 lb
1) JOINT WRAP PRIMER - CONSEAL CS-75 (1 gal.)	0 lb
1) CASTING - HOE MC-315 F/C Sanitary	258 lb
2) 48" - Conseal CS-102 1.00" (Double)	0 lb
2) DOGHOUSE - 12"x14"	0 lb
1) PSX - 12-08 NYLO	8 lb
10) MH Step ML-10-TDS-NCR - 10"	0 lb
<b>Structure Total:</b>	<b>9691 lb</b>

Structure Notes:  
 PLAN LABEL : SSMH #100 (DOGHOUSE)  
 1. HOE MC-315 F/C SANITARY PROVIDED BY ICAST.  
 2. PER ASTM C478 SPECIFICATIONS.  
 3. CONCRETE = 4,000 PSI AT 28 DAYS.  
 4. REINFORCING PER ASTM A615 (GRADE 60).  
 - CONE (As .12)  
 - RISER/WALLS (As .18)

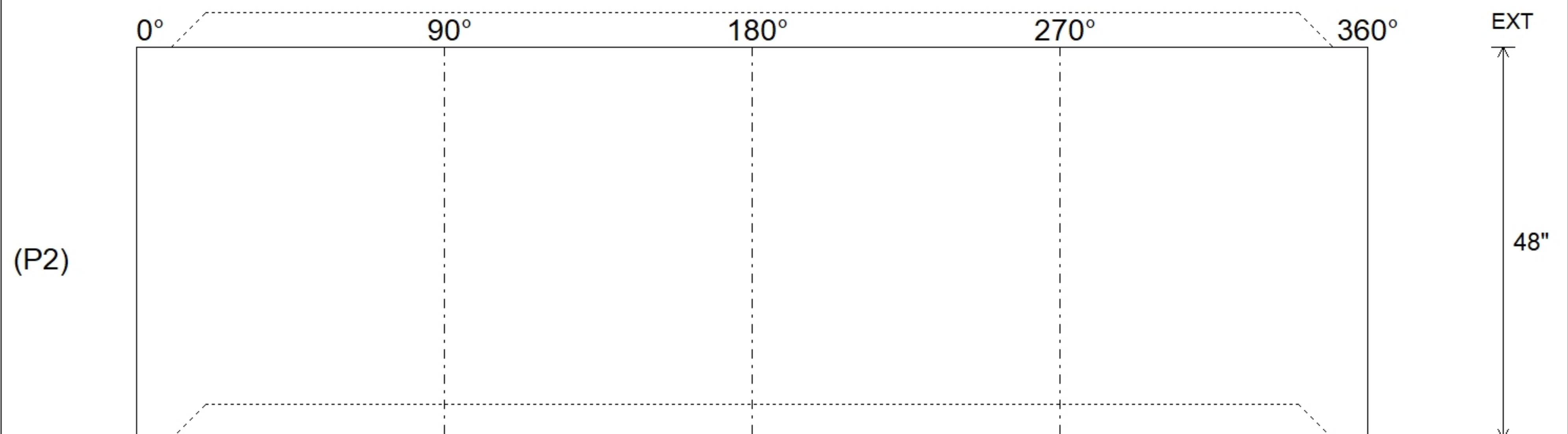
Rim: 509.44' Rim to Invert: 10.25' Slack: 2" Sump: 5" Step Position: 270°

Position	Elev	Angle	Ext. (cw)	Pipe	Pipe OD	Connector	Hole	Horz Size	Up (L)	Offset
Invert 1										
Invert 2										
Invert 3										
Invert 4										
Invert 5										
Invert 6										
Invert 7										
Invert 8										

**RIGHT-SIDE UP VIEW (int. dimensions)**



**INSIDE WALL DIMENSIONS**



Coating (Int):	Seam Up: Tongue	Wall Thickness: 5"	Height (Int): 48"	Weight (Net): 3353 lb
Coating (Ext):	Seam Dn: Groove	Floor Height: 0"	Height (Ext): 48"	Volume (Net): 0.86cu.yd