

**Structure ID: SSMH #100-2 SS-MHDH**

**P1 MH048DHVFCDARED**

**MH DH RISER Custom Ht, w/ConBlock-CDA Red T/F**

P4) 24" - CASTING HEIGHT - 7"	0 lb	
P3) 48" - ECC CONE w/ 24" HOLE, w/ConBlock-CDA Red F/G - 30"	1961 lb	
P2) 48" - MH RISER w/ConBlock-CDA Red T/G - 48"	3353 lb	
P1) 48" - MH DH RISER Custom Ht, w/ConBlock-CDA Red T/F - 41"	2670 lb	
1) 48" - MH INVERT CHANNEL w/ConBlock-CDA Red - FULL HEIGHT	1440 lb	
1) JOINT WRAP - 0.065"x6"x50' CONSEAL CS212	0 lb	
1) JOINT WRAP PRIMER - CONSEAL CS-75 (1 gal.)	0 lb	
1) CASTING - HOE MC-315 F/C Sanitary	258 lb	
2) 48" - Conseal CS-102 1.00" (Double)	0 lb	
2) DOGHOUSE - 12"x14"	0 lb	
1) PSX - 12-08 NYLO	8 lb	
10) MH Step ML-10-TDS-NCR - 10"	0 lb	
<b>Structure Total:</b>	<b>9691 lb</b>	

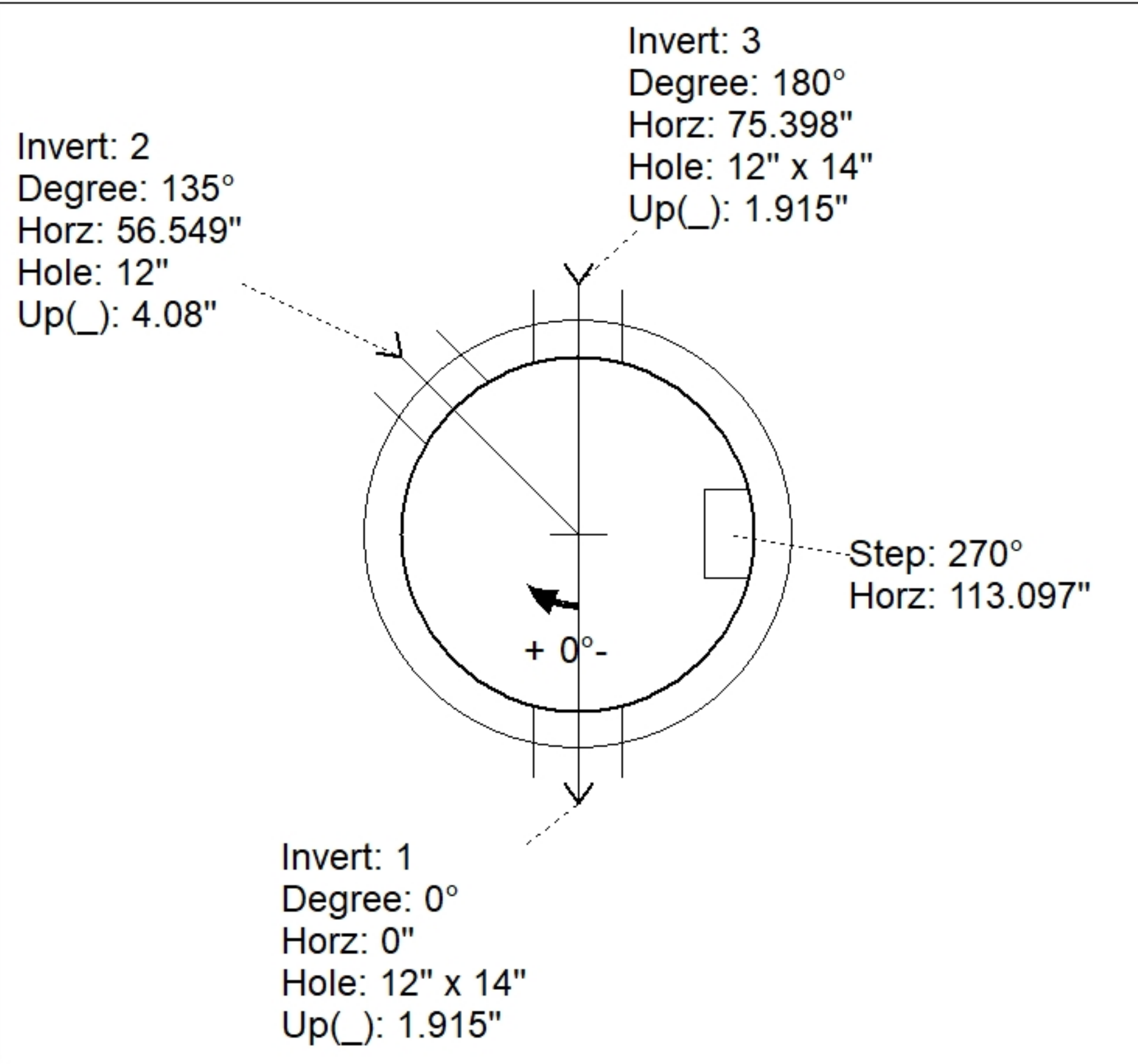
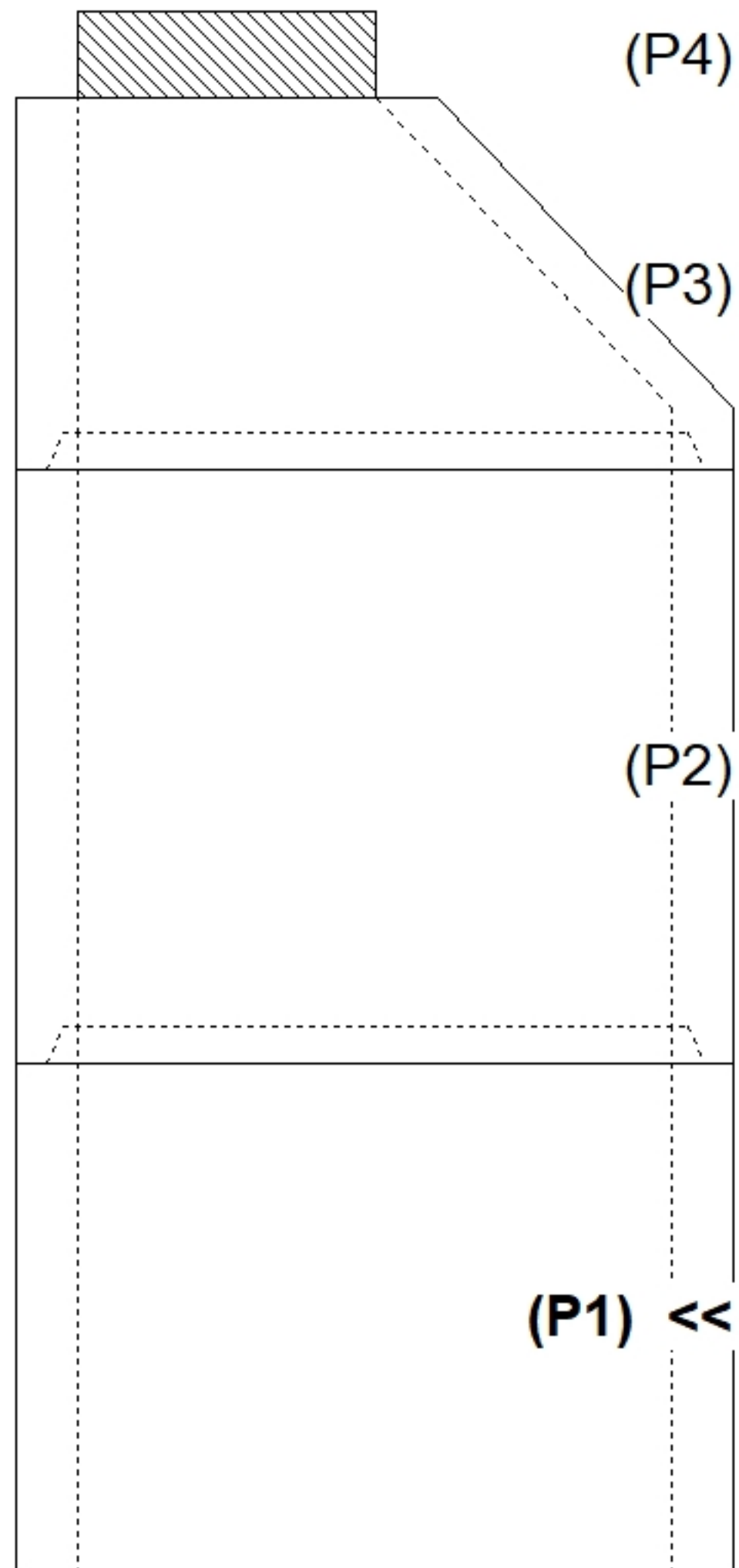
**Structure Notes:**  
 PLAN LABEL : SSMH #100 (DOGHOUSE)  
 1. HOE MC-315 F/C SANITARY PROVIDED BY ICAST.  
 2. PER ASTM C478 SPECIFICATIONS.  
 3. CONCRETE = 4,000 PSI AT 28 DAYS.  
 4. REINFORCING PER ASTM A615 (GRADE 60).  
 - CONE (As .12)  
 - RISER/WALLS (As .18)

Rim: 509.44'    Rim to Invert: 10.25'    Slack: 2"    Sump: 5"    Step Position: 270°

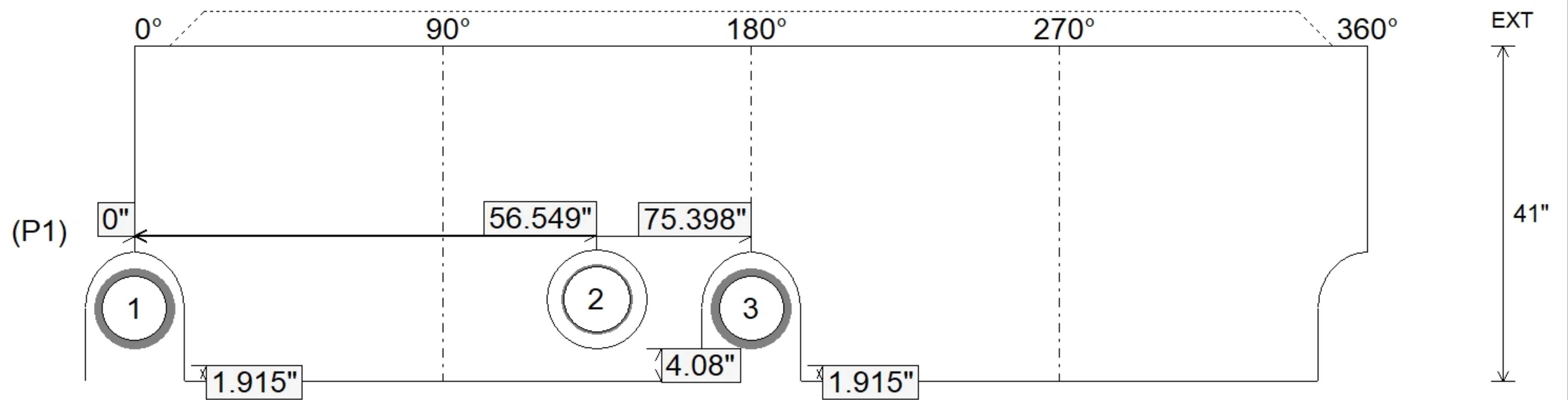
Position	Elev	Angle	Ext. (cw)	Pipe	Pipe OD	Connector	Hole	Horz Size	Up ( )	Offset
Invert 1	499.19'	0°	0"	8" VCP	9.8"	DOGHOUSE 12"x14"	12" x 14"	12.129"	1.915"	0"
Invert 2	499.28'	135°	68.33"	8" PVC SDR26	8.5"	PSX 12-08 NYLO	12"	12.129"	4.08"	0"
Invert 3	499.19'	180°	91.106"	8" VCP	9.8"	DOGHOUSE 12"x14"	12" x 14"	12.129"	1.915"	0"
Invert 4										
Invert 5										
Invert 6										
Invert 7										
Invert 8										

**RIGHT-SIDE UP VIEW (int. dimensions)**

**UPSIDE-DOWN VIEW (int. dimensions)**



**INSIDE WALL DIMENSIONS**



Coating (Int):	Seam Up: Tongue	Wall Thickness: 5"	Height (Int): 41"	Weight (Net): 2670 lb
Coating (Ext):	Seam Dn: Flat	Floor Height: 0"	Height (Ext): 41"	Volume (Net): 0.68cu.yd