

Job Name: 26-1197 861184 New Office Facility - West Paducah
Job Location: Paducah, KY
Contractor: Contech Engineering Solutions

PC: T. Sekula
 TECH: S. Felletter
 Plant: Beaver Dam



Structure ID: 10-CS-4

Spec: Storm-Pipe Centered
 Type: STM.MH
 Size: 48"

Rim: 396.07'
 Invert: 393.55'
 Rim to Invert: 2.52'

Sump: 51"
 Floor (Top): 389.3'
 Floor Height: 6"

Floor (Bot): 388.8'
 Overall Height: 7.25'
 Slack: 0.24"

Structure Notes:

4" CASTING BY BY OTHERS
 CASTING FRAME TO BE CAST INTO THE TOP SLAB

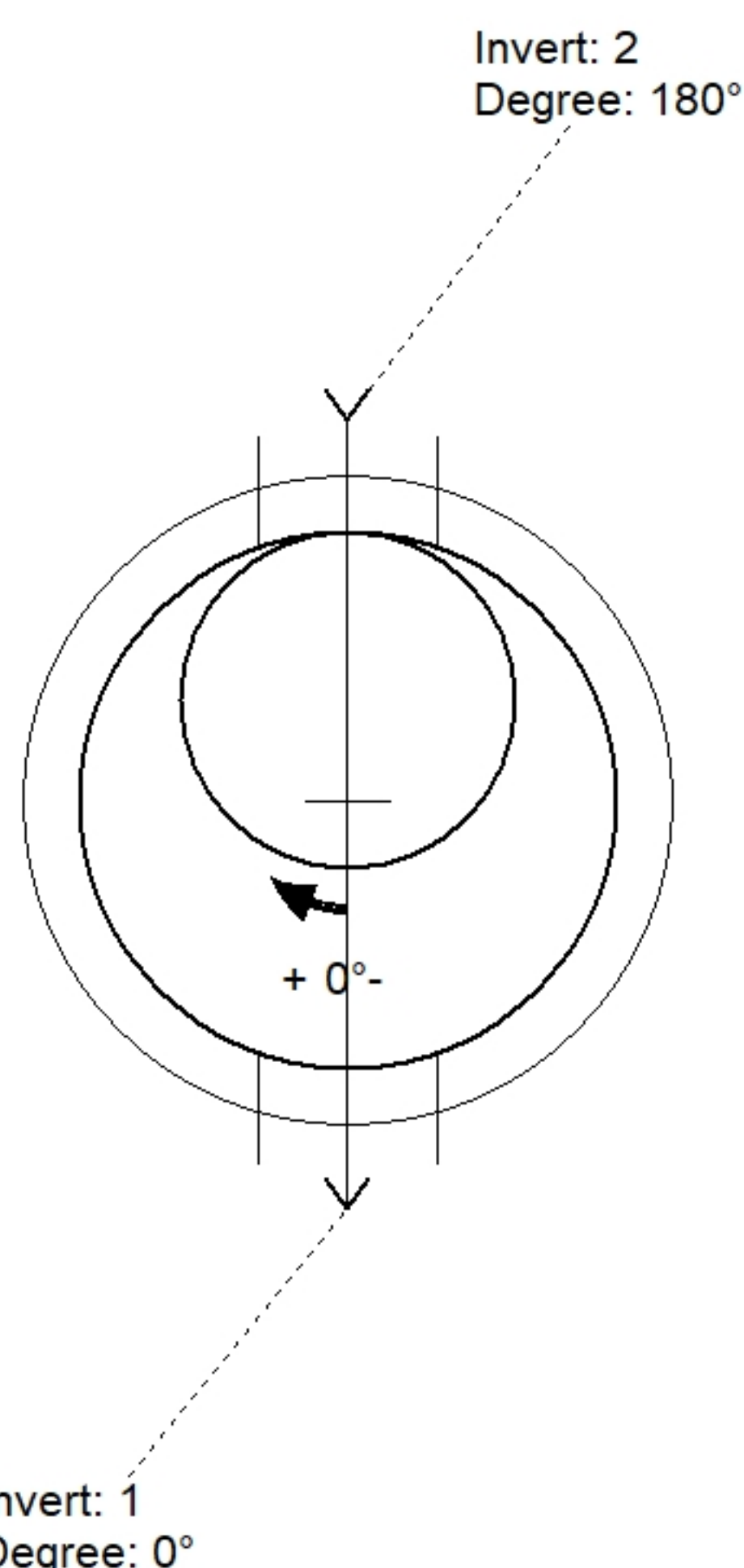
LIFTING ANCHORS TO BE INSTALLED
 ON THE OUTSIDE OF THE STRUCTURE

ICAST TO INSTALL THE INTERNALS

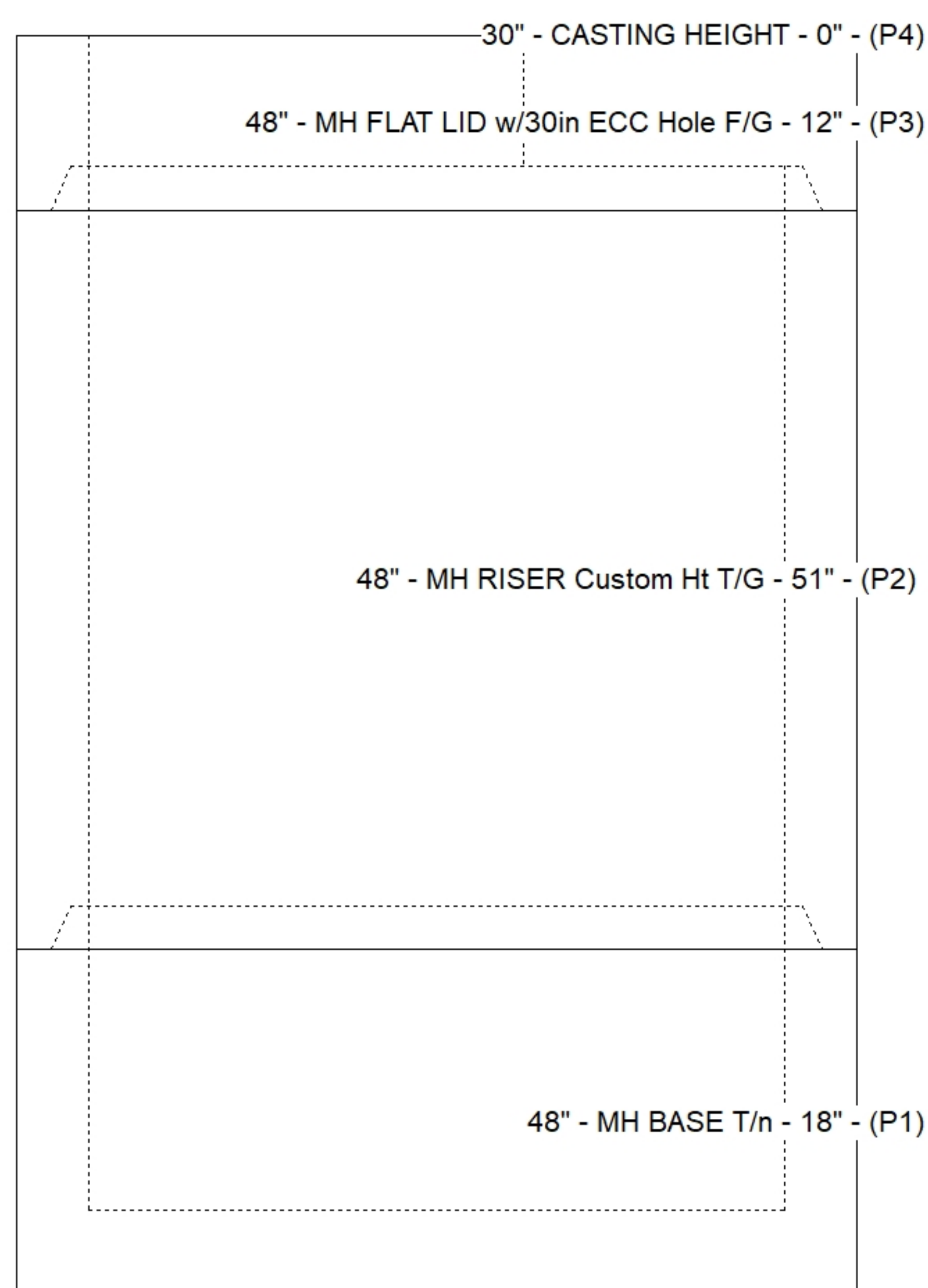
CONTECH'S LOGO AS WELL AS THE
 INLET AND OUTLET MUST BE
 STENCILED ONTO THE STRUCTURE

STRUCTURE SUMMARY:

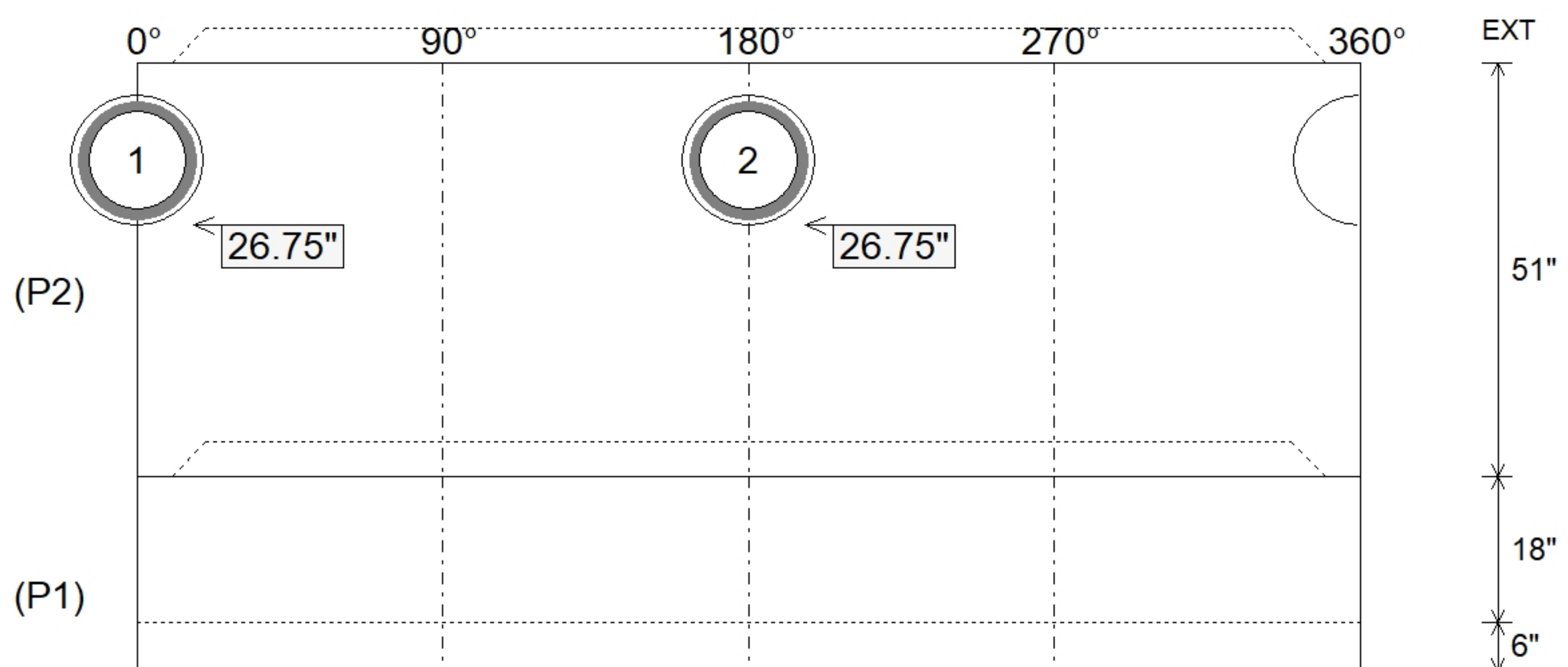
P4) 30" - CASTING HEIGHT - 0"	0 lb
P3) 48" - MH FLAT LID w/30in ECC Hole F/G - 12"	1413 lb
P2) 48" - MH RISER Custom Ht T/G - 51"	3391 lb
P1) 48" - MH BASE T/n - 18"	2588 lb
1) CVSTENCILING	0 lb
1) ASSEMBLY REQUIRED	0 lb
2) 48" - Conseal CS-102 1.00"	0 lb
2) Hole - 16	0 lb
Structure Total:	7392 lb



Position	Elev	Angle	Pipe	Pipe OD	Hole	Connector	Up (")	Ref
Rim	396.07'							
Reducer								
Invert 1	393.55'	0°	12" HDPE	14.5"	16"	Hole 16	26.75"	P2
Invert 2	393.55'	180°	12" HDPE	14.5"	16"	Hole 16	26.75"	P2
Invert 3								
Invert 4								
Invert 5								
Invert 6								
Invert 7								
Invert 8								



Default - Interior Dimensions



Submittal Drawing
 2/2/2026 1:18:18 PM

SUBMITTAL
 APPROVED BY: