

Structure ID: 10-CS-4

P2 MH048RSVF

MH RISER Custom Ht T/G

P4) 30" - CASTING HEIGHT - 0" P3) 48" - MH FLAT LID w/30in ECC Hole F/G - 12" P2) 48" - MH RISER Custom Ht T/G - 51" P1) 48" - MH BASE T/n - 18" 1) CVSTENCILING 1) ASSEMBLY REQUIRED 2) 48" - Conseal CS-102 1.00" 2) Hole - 16	0 lb 1413 lb 3391 lb 2588 lb 0 lb 0 lb 0 lb 0 lb 0 lb ----- Structure Total: 7392 lb
---	--

Structure Notes:
 4" CASTING BY BY OTHERS
 CASTING FRAME TO BE CAST INTO THE TOP SLAB

 LIFTING ANCHORS TO BE INSTALLED
 ON THE OUTSIDE OF THE STRUCTURE

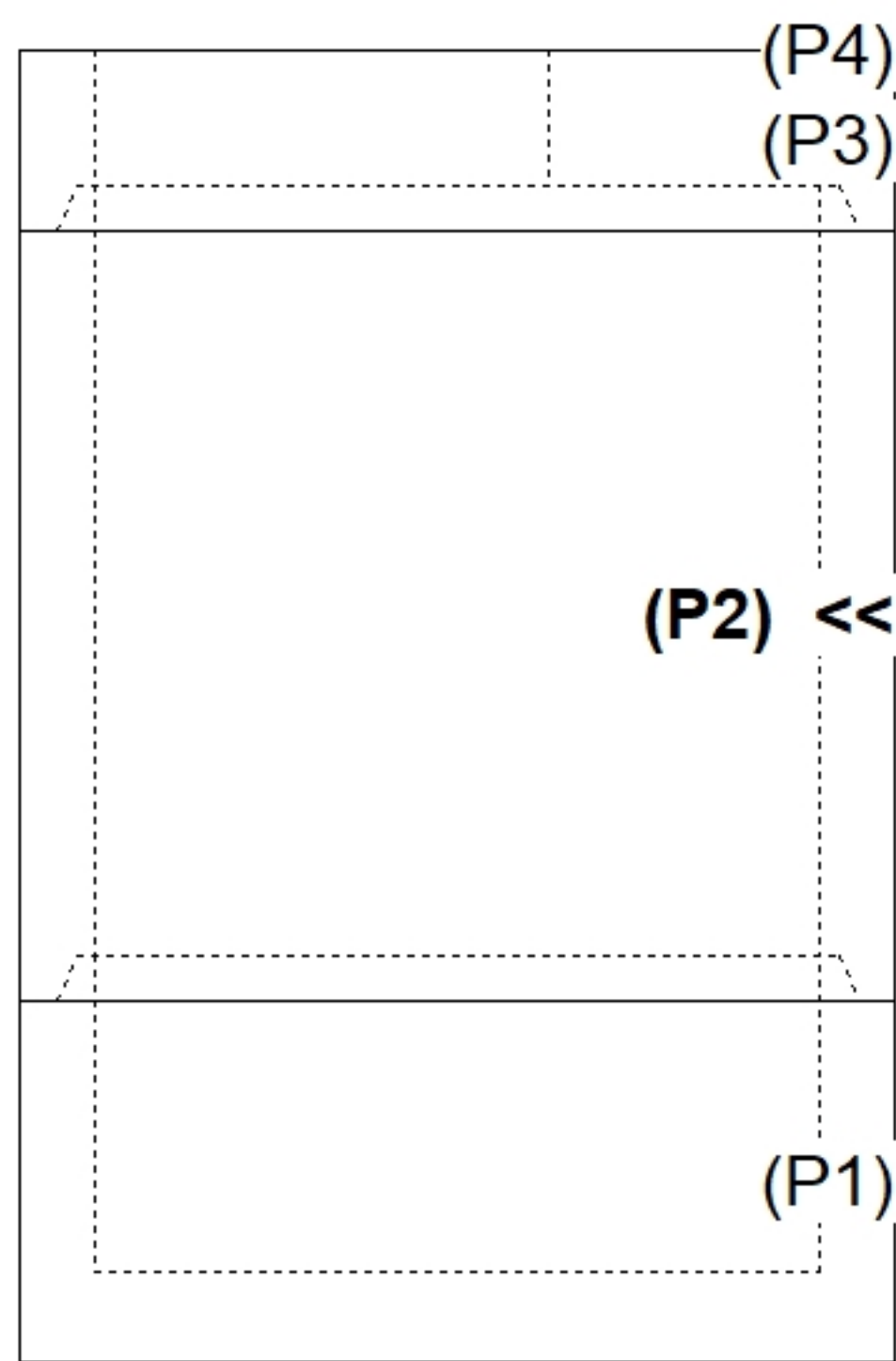
 ICAST TO INSTALL THE INTERNALS

 CONTECH'S LOGO AS WELL AS THE
 INLET AND OUTLET MUST BE
 STENCILED ONTO THE STRUCTURE

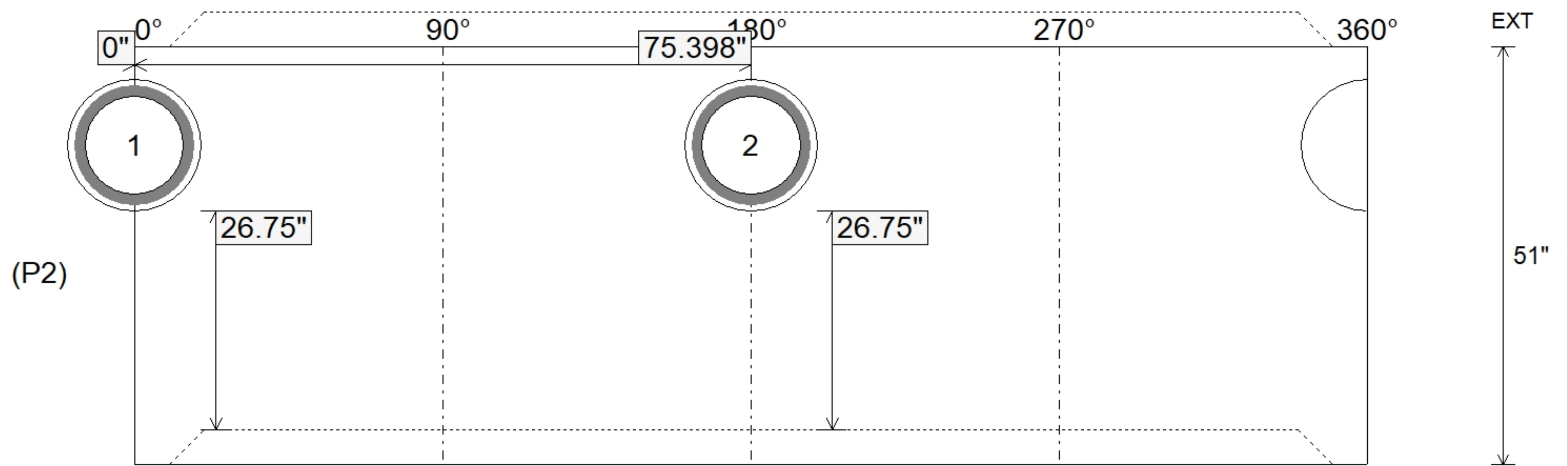
Rim: 396.07' Rim to Invert: 2.52' Slack: 0.24" Sump: 51" Step Position:

Position	Elev	Angle	Ext. (cw)	Pipe	Pipe OD	Connector	Hole	Horz Size	Up ()	Offset
Invert 1	393.55'	0°	0"	12" HDPE	14.5"	Hole 16	16"	16.312"	26.75"	0"
Invert 2	393.55'	180°	91.106"	12" HDPE	14.5"	Hole 16	16"	16.312"	26.75"	0"
Invert 3										
Invert 4										
Invert 5										
Invert 6										
Invert 7										
Invert 8										

RIGHT-SIDE UP VIEW (int. dimensions)



INSIDE WALL DIMENSIONS



Coating (Int):	Seam Up: Tongue Seam Dn: Groove	Wall Thickness: 5" Floor Height: 0"	Height (Int): 51" Height (Ext): 51"	Weight (Net): 3391 lb Volume (Net): 0.87cu.yd
Coating (Ext):				