

**Structure ID: 10-CS-4**

**P1 MH048BA18**

**MH BASE T/n**

P4) 30" - CASTING HEIGHT - 0" P3) 48" - MH FLAT LID w/30in ECC Hole F/G - 12" P2) 48" - MH RISER Custom Ht T/G - 51" P1) 48" - MH BASE T/n - 18" 1) CVSTENCILING 1) ASSEMBLY REQUIRED 2) 48" - Conseal CS-102 1.00" 2) Hole - 16	0 lb 1413 lb 3391 lb 2588 lb 0 lb 0 lb 0 lb 0 lb 0 lb	Structure Total: 7392 lb
---	---	--------------------------

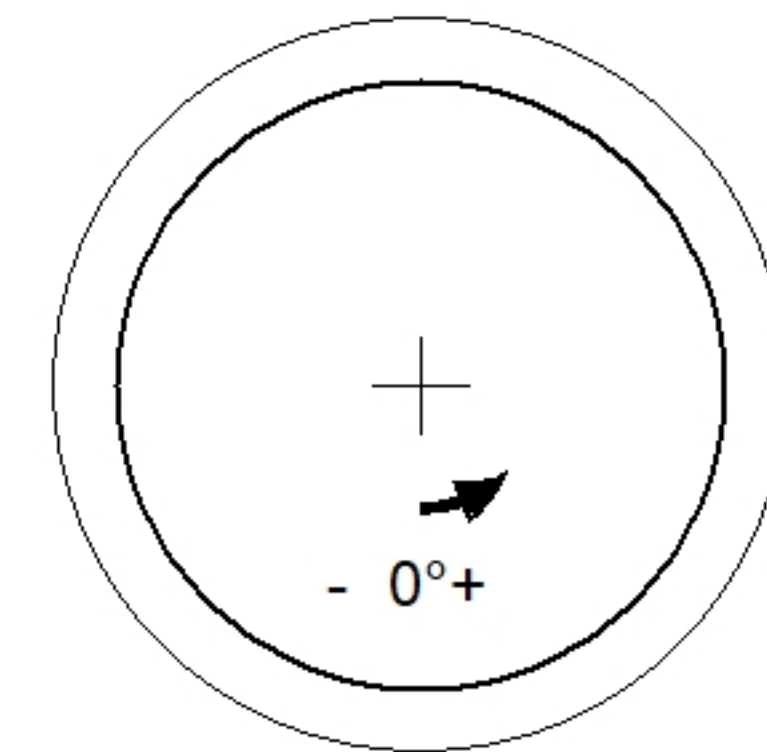
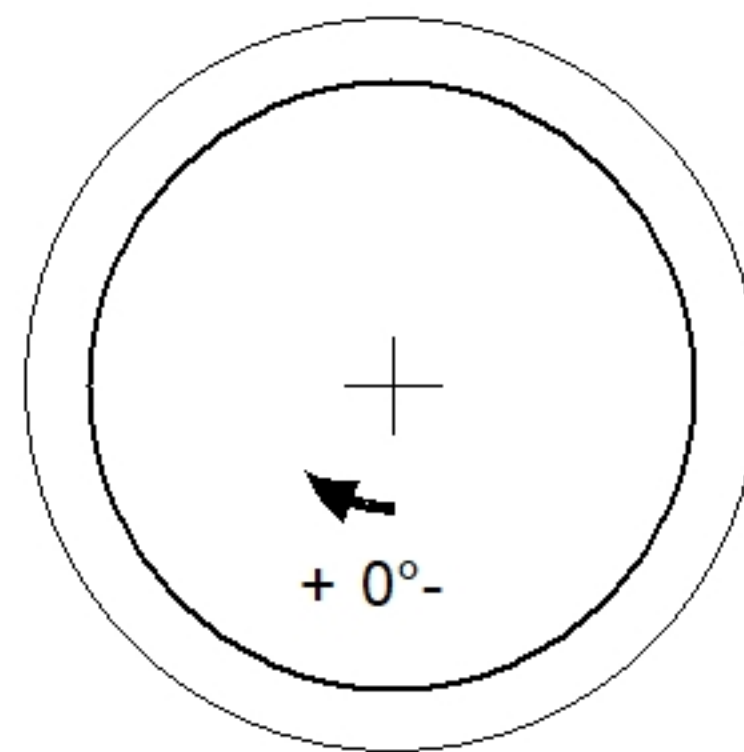
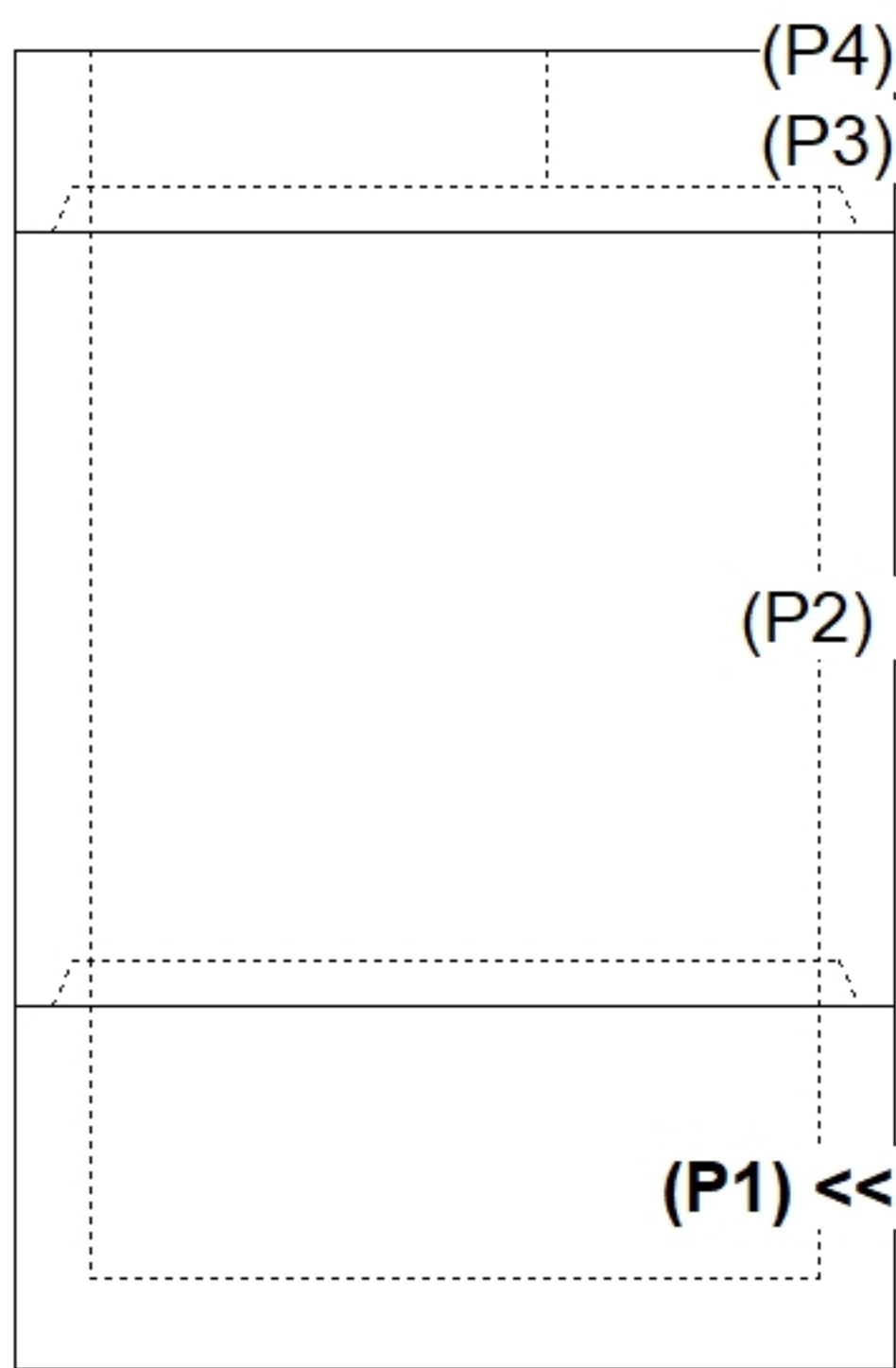
Structure Notes:  
 4" CASTING BY BY OTHERS  
 CASTING FRAME TO BE CAST INTO THE TOP SLAB  
  
 LIFTING ANCHORS TO BE INSTALLED  
 ON THE OUTSIDE OF THE STRUCTURE  
  
 ICAST TO INSTALL THE INTERNALS  
  
 CONTECH'S LOGO AS WELL AS THE  
 INLET AND OUTLET MUST BE  
 STENCILED ONTO THE STRUCTURE

Rim: 396.07'    Rim to Invert: 2.52'    Slack: 0.24"    Sump: 51"    Step Position:

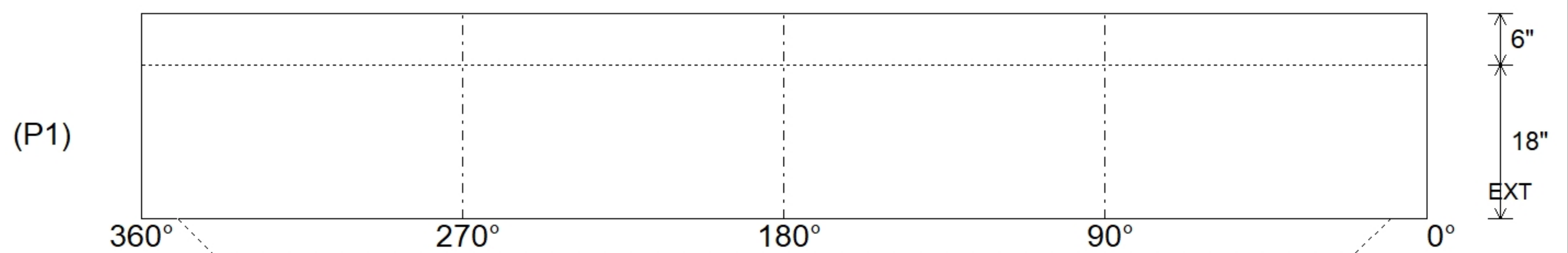
Position	Elev	Angle	Ext. (cw)	Pipe	Pipe OD	Connector	Hole	Horz Size	Up (L)	Offset
Invert 1										
Invert 2										
Invert 3										
Invert 4										
Invert 5										
Invert 6										
Invert 7										
Invert 8										

RIGHT-SIDE UP VIEW (int. dimensions)

UPSIDE-DOWN VIEW (int. dimenions)



INSIDE WALL DIMENSIONS



Coating (Int):	Seam Up: Tongue Seam Dn: n/a	Wall Thickness: 5" Floor Height: 6"	Height (Int): 18" Height (Ext): 24"
Coating (Ext):			Weight (Net): 2588 lb Volume (Net): 0.66cu.yd