

Job Name: 26-1191 - Red River Ridge Ph 4 Sanitary
Job Location: Clarksville, TN
Contractor: Byard Construction, LLC

PC: A. Chambers
 TECH: J. Horsley
 Plant: 100



Structure ID: MH 15-1-15 SS-MH

Spec: Sanitary
 Type: SAN.MH w/ConBlock-CDA Red
 Size: 48"

Rim: 468.5'
 Invert: 464.79'
 Rim to Invert: 3.71'

Sump: 2"
 Floor (Top): 464.623'
 Floor Height: 6"

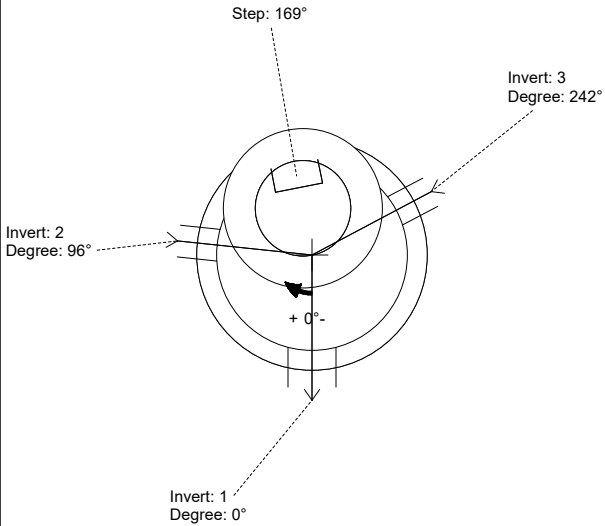
Floor (Bot): 464.123'
 Overall Height: 4.333'
 Slack: 0.52"

Structure Notes:

- PER ASTM C-478 SPECIFICATIONS
- CONCRETE: 4,000 PSI AT 28 DAYS
- REINFORCEMENT:
 - FLAT LID: #4 BAR @ 10" C.C. E.W. (GRADE 60)
 - BASE: PER ASTM A615
- INVERT CHANNEL REQUIRED
- CONBLOCK CDA RED ADMIXTURE REQUIRED
- STEPS AT 169 DEGREES
- JBS 1155 FRAME & COVER "SANITARY" SUPPLIED BY ICAST

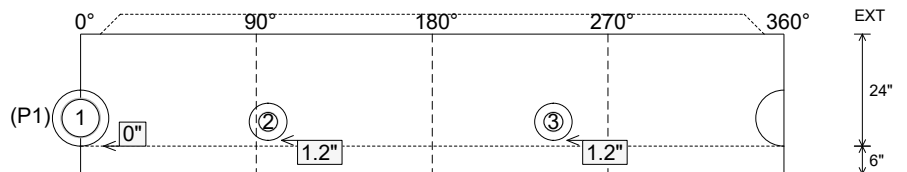
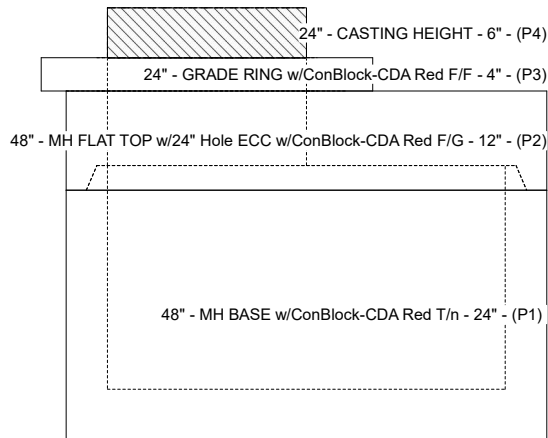
STRUCTURE SUMMARY:

- P4) 24" - CASTING HEIGHT - 6" 0 lb
 - P3) 24" - GRADE RING w/ConBlock-CDA Red F/F - 4" 270 lb
 - P2) 48" - MH FLAT TOP w/24" Hole ECC w/ConBlock-CDA Red F/G - 12" 1580 lb
 - P1) 48" - MH BASE w/ConBlock-CDA Red T/n - 24" 2917 lb
 - 1) 48" - MH INVERT CHANNEL w/ConBlock-CDA Red - FULL HEIGHT 1440 lb
 - 1) ADMIXTURE CONBLOCK CDA RED 0 lb
 - 1) JOINT WRAP - 0.065"x6"x50" CONSEAL CS212 0 lb
 - 1) JOINT WRAP PRIMER - CONSEAL CS-75 (1 gal.) 0 lb
 - 1) CASTING - JBS 1155 F/C SANITARY 250 lb
 - 1) 48" - Conseal CS-102 1.00" (Double) 0 lb
 - 1) PSX - 12-08 NYLO 8 lb
 - 2) PSX - 8QRS-S NYLO 13 lb
 - 2) MH Step ML-10-TDS-NCR - 10" 0 lb
- Structure Total: 6478 lb



Position	Elev	Angle	Pipe	Pipe OD	Hole	Connector	Up (L)	Ref
Rim	468.5'							
Reducer								
Invert 1	464.79'	0°	8" PVC SDR35	8.5"	12"	PSX 12-08 NYLO	0"	P1
Invert 2	464.89'	96°	4" PVC SDR35	4.25"	8"	PSX 8QRS-S NYLO	1.2"	P1
Invert 3	464.89'	242°	4" PVC SDR35	4.25"	8"	PSX 8QRS-S NYLO	1.2"	P1
Invert 4								
Invert 5								
Invert 6								
Invert 7								
Invert 8								

Cast (Int. Dim.) - Interior Dimensions



Submittal Drawing
 2/18/2026 1:29:30 PM

SUBMITTAL
 APPROVED BY: