

Job Name: 26-1191 - Red River Ridge Ph 4 Sanitary
 Job Location: Clarksville, TN
 Contractor: Byard Construction, LLC

Plant: 100

Tech: J. Horsley

2/18/2026 2:52:59 PM

PC: A. Chambers



Structure ID: MH 14-2-13 SS-MH

P1 MH048BA36CDARED

MH BASE w/ConBlock-CDA Red T/n

- P4) 24" - CASTING HEIGHT - 6"
- P3) 24" - GRADE RING w/ConBlock-CDA Red F/F - 4"
- P2) 48" - ECC CONE w/ 24" HOLE, w/ConBlock-CDA Red F/G - 36"
- P1) 48" - MH BASE w/ConBlock-CDA Red T/n - 36"
- 1) 48" - MH INVERT CHANNEL w/ConBlock-CDA Red - FULL HEIGHT
- 1) ADMIXTURE CONBLOCK CDA RED
- 1) JOINT WRAP - 0.065"x6"x50" CONSEAL CS212
- 1) JOINT WRAP PRIMER - CONSEAL CS-75 (1 gal.)
- 1) CASTING - JBS 1155 F/C SANITARY
- 1) 48" - Conseal CS-102 1.00" (Double)
- 1) PSX - 12-08 NYLO
- 1) PSX - 8QRS-S NYLO
- 6) MH Step ML-10-TDS-NCR - 10"

0 lb
 270 lb
 2251 lb
 3776 lb
 1440 lb
 0 lb
 0 lb
 0 lb
 250 lb
 0 lb
 8 lb
 6 lb
 0 lb

 Structure Total: 8002 lb

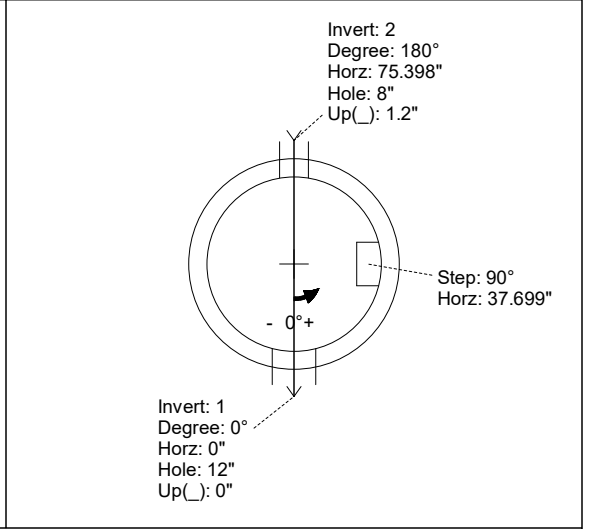
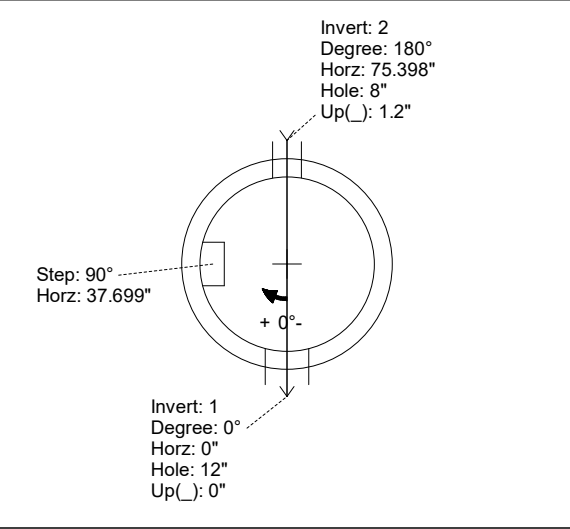
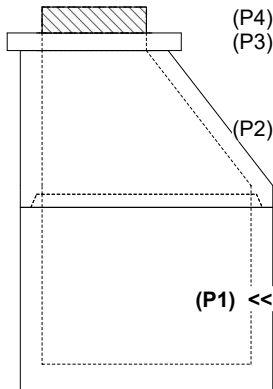
- Structure Notes:
1. PER ASTM C-478 SPECIFICATIONS
 2. CONCRETE: 4,000 PSI AT 28 DAYS
 3. REINFORCEMENT: PER ASTM A615
 4. INVERT CHANNEL REQUIRED
 5. CONBLOCK CDA RED ADMIXTURE REQUIRED
 6. STEPS AT 90 DEGREES
 7. JBS 1155 FRAME & COVER "SANITARY" SUPPLIED BY ICAST

Rim: 498.15' Rim to Invert: 6.68' Slack: 0.16" Sump: 2" Step Position: 90°

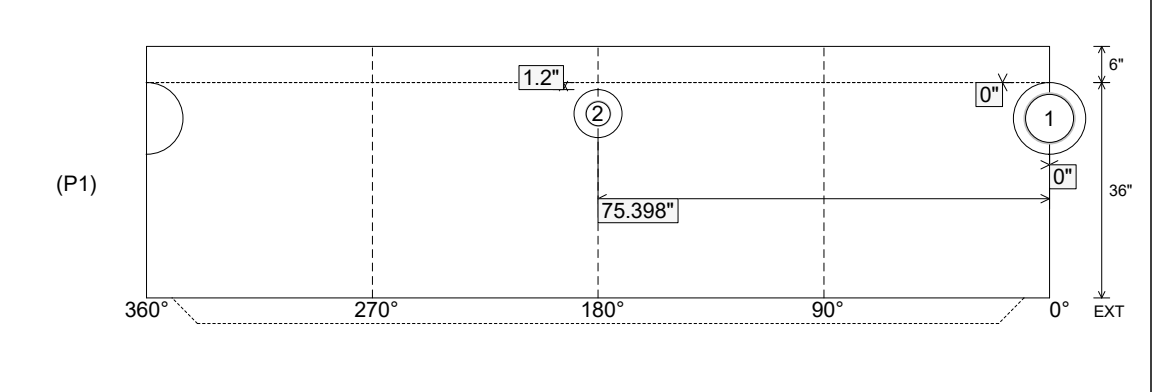
Position	Elev	Angle	Ext. (cw)	Pipe	Pipe OD	Connector	Hole	Horz Size	Up ()	Offset
Invert 1	491.47'	0°	0"	8" PVC SDR35	8.5"	PSX 12-08 NYLO	12"	12.129"	0"	0"
Invert 2	491.57'	180°	91.106"	4" PVC SDR35	4.25"	PSX 8QRS-S NYLO	8"	8.038"	1.2"	0"
Invert 3										
Invert 4										
Invert 5										
Invert 6										
Invert 7										
Invert 8										

RIGHT-SIDE UP VIEW (int. dimensions)

UPSIDE-DOWN VIEW (int. dimensions)



INSIDE WALL DIMENSIONS



Coating (Int):
 Coating (Ext):

Seam Up: Tongue
 Seam Dn: n/a

Wall Thickness: 5"
 Floor Height: 6"

Height (Int): 36"
 Height (Ext): 42"

Weight (Net): 3776 lb
 Volume (Net): 0.96cu.yd

Structure ID: MH 14-2-13 SS-MH

P1 MH048BA36CDARED

MH BASE w/ConBlock-CDA Red T/n

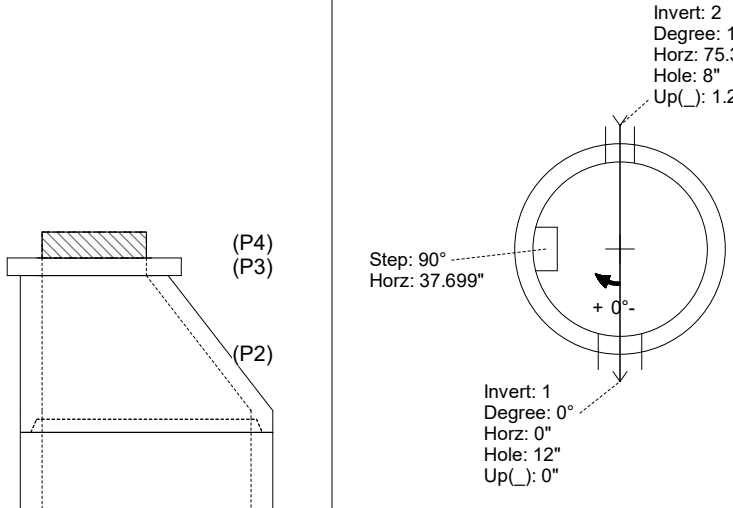
- | | | |
|--|--|---|
| P4) 24" - CASTING HEIGHT - 6"
P3) 24" - GRADE RING w/ConBlock-CDA Red F/F - 4"
P2) 48" - ECC CONE w/ 24" HOLE, w/ConBlock-CDA Red F/G - 36"
P1) 48" - MH BASE w/ConBlock-CDA Red T/n - 36"
1) 48" - MH INVERT CHANNEL w/ConBlock-CDA Red - FULL HEIGHT
1) ADMIXTURE CONBLOCK CDA RED
1) JOINT WRAP - 0.065"x6"x50" CONSEAL CS212
1) JOINT WRAP PRIMER - CONSEAL CS-75 (1 gal.)
1) CASTING - JBS 1155 F/C SANITARY
1) 48" - Conseal CS-102 1.00" (Double)
1) PSX - 12-08 NYLO
1) PSX - 8QRS-S NYLO
6) MH Step ML-10-TDS-NCR - 10" | 0 lb
270 lb
2251 lb
3776 lb
1440 lb
0 lb
0 lb
0 lb
250 lb
0 lb
8 lb
6 lb
0 lb

Structure Total: 8002 lb | Structure Notes:
1. PER ASTM C-478 SPECIFICATIONS
2. CONCRETE: 4,000 PSI AT 28 DAYS
3. REINFORCEMENT: PER ASTM A615
4. INVERT CHANNEL REQUIRED
5. CONBLOCK CDA RED ADMIXTURE REQUIRED
6. STEPS AT 90 DEGREES
7. JBS 1155 FRAME & COVER "SANITARY" SUPPLIED BY ICAST |
|--|--|---|

Rim: 498.15' Rim to Invert: 6.68' Slack: 0.16" Sump: 2" Step Position: 90°

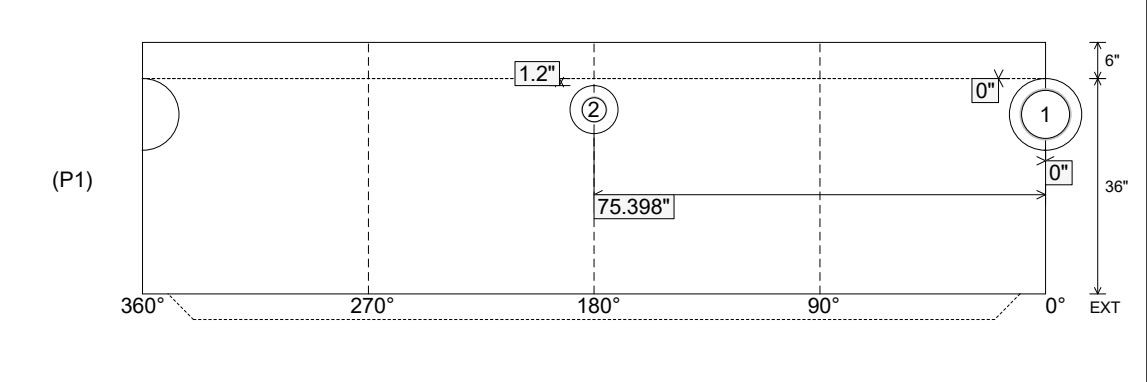
Position	Elev	Angle	Ext. (cw)	Pipe	Pipe OD	Connector	Hole	Horz Size	Up ()	Offset
Invert 1	491.47'	0°	0"	8" PVC SDR35	8.5"	PSX 12-08 NYLO	12"	12.129"	0"	0"
Invert 2	491.57'	180°	91.106"	4" PVC SDR35	4.25"	PSX 8QRS-S NYLO	8"	8.038"	1.2"	0"
Invert 3										
Invert 4										
Invert 5										
Invert 6										
Invert 7										
Invert 8										

RIGHT-SIDE UP VIEW (int. dimensions) UPSIDE-DOWN VIEW (int. dimenions)



INVERT CHANNEL DRAWING

INSIDE WALL DIMENSIONS



Coating (Int): Coating (Ext):	Seam Up: Tongue Seam Dn: n/a	Wall Thickness: 5" Floor Height: 6"	Height (Int): 36" Height (Ext): 42"	Weight (Net): 3776 lb Volume (Net): 0.96cu.yd
----------------------------------	---------------------------------	--	--	--