

**Job Name: 26-1191 - Red River Ridge Ph 4 Sanitary**  
**Job Location: Clarksville, TN**  
**Contractor: Byard Construction, LLC**

PC: A. Chambers  
 TECH: J. Horsley  
 Plant: 100



Structure ID: **MH 1-7-6 SS-MH**

Spec: Sanitary  
 Type: SAN.MH w/ConBlock-CDA Red  
 Size: 48"

Rim: 489.47'  
 Invert: 468.75'  
 Rim to Invert: 20.72'

Sump: 2"  
 Floor (Top): 468.583'  
 Floor Height: 6"

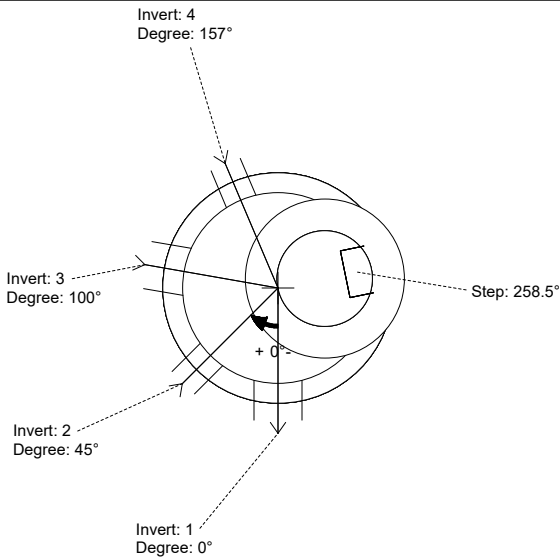
Floor (Bot): 468.083'  
 Overall Height: 21.333'  
 Slack: 0.64"

**Structure Notes:**

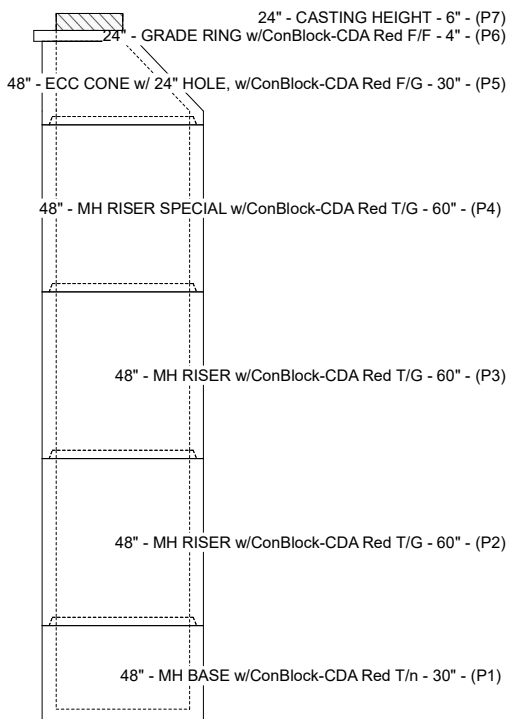
- PER ASTM C-478 SPECIFICATIONS
- CONCRETE: 4,000 PSI AT 28 DAYS
- REINFORCEMENT: PER ASTM A615
- INVERT CHANNEL REQUIRED
- CONBLOCK CDA RED ADMIXTURE REQUIRED
- STEPS AT 258.5 DEGREES
- JBS 1155 FRAME & COVER "SANITARY" SUPPLIED BY ICAST
- INTERNAL DROPS AT INVERTS 2 & 4 TO BE SUPPLIED BY OTHERS - ICAST IS TO SUPPLY OPENINGS & BOOTS

**STRUCTURE SUMMARY:**

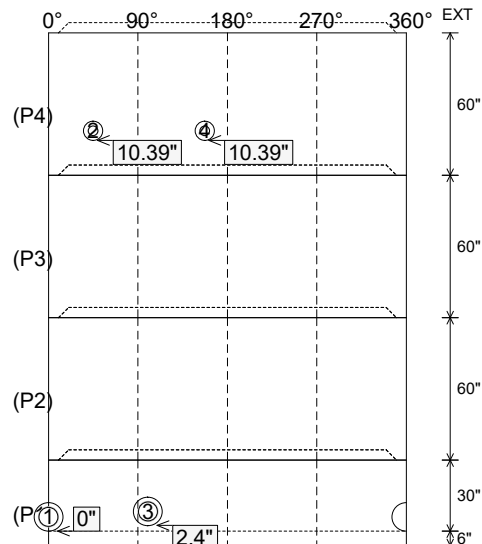
P7) 24" - CASTING HEIGHT - 6"	0 lb
P6) 24" - GRADE RING w/ConBlock-CDA Red F/F - 4"	270 lb
P5) 48" - ECC CONE w/ 24" HOLE, w/ConBlock-CDA Red F/G - 30"	1961 lb
P4) 48" - MH RISER SPECIAL w/ConBlock-CDA Red T/G - 60"	4149 lb
P3) 48" - MH RISER w/ConBlock-CDA Red T/G - 60"	4192 lb
P2) 48" - MH RISER w/ConBlock-CDA Red T/G - 60"	4192 lb
P1) 48" - MH BASE w/ConBlock-CDA Red T/n - 30"	3330 lb
1) 48" - MH INVERT CHANNEL w/ConBlock-CDA Red - FULL HEIGHT	1440 lb
1) ADMIXTURE CONBLOCK CDA RED	0 lb
1) JOINT WRAP - 0.065"x6"x50" CONSEAL CS212	0 lb
1) JOINT WRAP PRIMER - CONSEAL CS-75 (1 gal.)	0 lb
1) CASTING - JBS 1155 F/C SANITARY	250 lb
4) 48" - Conseal CS-102 1.00" (Double)	0 lb
2) PSX - 12-08 NYLO	16 lb
2) PSX - 8QRS-S NYLO	13 lb
20) MH Step ML-10-TDS-NCR - 10"	0 lb
<b>Structure Total:</b>	<b>19813 lb</b>



Position	Elev	Angle	Pipe	Pipe OD	Hole	Connector	Up (L)	Ref
Rim	489.47'							
Reducer								
Invert 1	468.75'	0°	8" PVC SDR26	8.5"	12"	PSX 12-08 NYLO	0"	P1
Invert 2	482.47'	45°	4" PVC SDR35	4.25"	8"	PSX 8QRS-S NYLO	10.39"	P4
Invert 3	468.95'	100°	8" PVC SDR26	8.5"	12"	PSX 12-08 NYLO	2.4"	P1
Invert 4	482.47'	157°	4" PVC SDR35	4.25"	8"	PSX 8QRS-S NYLO	10.39"	P4
Invert 5								
Invert 6								
Invert 7								
Invert 8								



**Cast (Int. Dim.) - Interior Dimensions**



Submittal Drawing  
 2/18/2026 1:29:16 PM

SUBMITTAL  
 APPROVED BY: