

Job Name: 26-1191 - Red River Ridge Ph 4 Sanitary
 Job Location: Clarksville, TN
 Contractor: Byard Construction, LLC

Plant: 100

Tech: J. Horsley

2/18/2026 2:56:30 PM

PC: A. Chambers



Structure ID: MH 1-7-6 SS-MH

P6 GR4CDARED

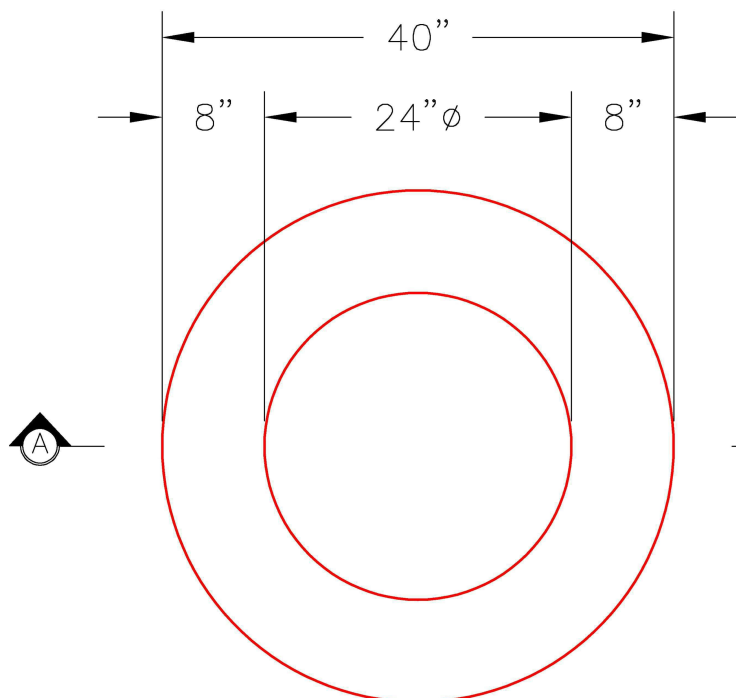
GRADE RING w/ConBlock-CDA Red F/F

- P7) 24" - CASTING HEIGHT - 6"
- P6) 24" - GRADE RING w/ConBlock-CDA Red F/F - 4"
- P5) 48" - ECC CONE w/ 24" HOLE, w/ConBlock-CDA Red F/G - 30"
- P4) 48" - MH RISER SPECIAL w/ConBlock-CDA Red T/G - 60"
- P3) 48" - MH RISER w/ConBlock-CDA Red T/G - 60"
- P2) 48" - MH RISER w/ConBlock-CDA Red T/G - 60"
- P1) 48" - MH BASE w/ConBlock-CDA Red T/n - 30"
- 1) 48" - MH INVERT CHANNEL w/ConBlock-CDA Red - FULL HEIGHT
- 1) ADMIXTURE CONBLOCK CDA RED
- 1) JOINT WRAP - 0.065"x6"x50" CONSEAL CS212
- 1) JOINT WRAP PRIMER - CONSEAL CS-75 (1 gal.)
- 1) CASTING - JBS 1155 F/C SANITARY
- 4) 48" - Conseal CS-102 1.00" (Double)
- 2) PSX - 12-08 NYLO
- 2) PSX - 8QRS-S NYLO
- 20) MH Step ML-10-TDS-NCR - 10"

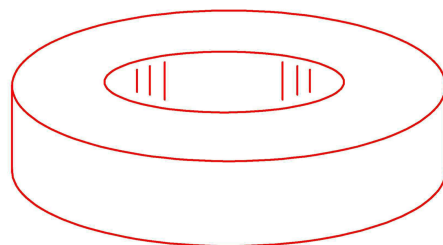
- 0 lb
- 270 lb
- 1961 lb
- 4149 lb
- 4192 lb
- 4192 lb
- 3330 lb
- 1440 lb
- 0 lb
- 0 lb
- 0 lb
- 250 lb
- 0 lb
- 16 lb
- 13 lb
- 0 lb

- Structure Notes:
1. PER ASTM C-478 SPECIFICATIONS
 2. CONCRETE: 4,000 PSI AT 28 DAYS
 3. REINFORCEMENT: (1) #3 HOOP CENTERED (GRADE 60)
 4. CONBLOCK CDA RED ADMIXTURE REQUIRED

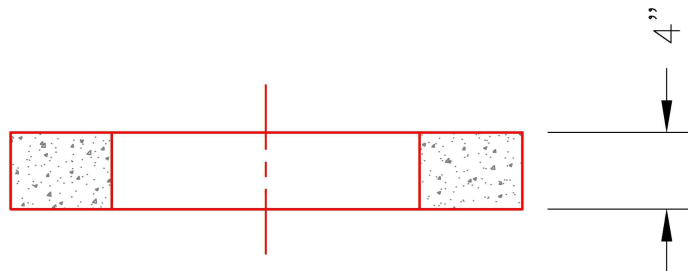
Structure Total: 19813 lb



PLAN VIEW



ISOMETRIC VIEW



SECTION A-A

Coating (Int):
 Coating (Ext):

Seam Up: Flat
 Seam Dn: Flat

Wall Thickness: 8"

Height (Ext): 4"

Weight (Net): 270 lb
 Volume (Net): 0.07cu.yd