

Job Name: 26-1191 - Red River Ridge Ph 4 Sanitary
 Job Location: Clarksville, TN
 Contractor: Byard Construction, LLC

Plant: 100

Tech: J. Horsley

2/18/2026 2:55:44 PM

PC: A. Chambers



Structure ID: MH 1-7-6 SS-MH

P4 MH048RS60SCDR

MH RISER SPECIAL w/ConBlock-CDA Red T/G

- P7) 24" - CASTING HEIGHT - 6"
- P6) 24" - GRADE RING w/ConBlock-CDA Red F/F - 4"
- P5) 48" - ECC CONE w/ 24" HOLE, w/ConBlock-CDA Red F/G - 30"
- P4) 48" - MH RISER SPECIAL w/ConBlock-CDA Red T/G - 60"
- P3) 48" - MH RISER w/ConBlock-CDA Red T/G - 60"
- P2) 48" - MH RISER w/ConBlock-CDA Red T/G - 60"
- P1) 48" - MH BASE w/ConBlock-CDA Red T/n - 30"
- 1) 48" - MH INVERT CHANNEL w/ConBlock-CDA Red - FULL HEIGHT
- 1) ADMIXTURE CONBLOCK CDA RED
- 1) JOINT WRAP - 0.065"x6"x50' CONSEAL CS212
- 1) JOINT WRAP PRIMER - CONSEAL CS-75 (1 gal.)
- 1) CASTING - JBS 1155 F/C SANITARY
- 4) 48" - Conseal CS-102 1.00" (Double)
- 2) PSX - 12-08 NYLO
- 2) PSX - 8QRS-S NYLO
- 20) MH Step ML-10-TDS-NCR - 10"

0 lb
 270 lb
 1961 lb
 4149 lb
 4192 lb
 4192 lb
 3330 lb
 1440 lb
 0 lb
 0 lb
 0 lb
 0 lb
 250 lb
 0 lb
 16 lb
 13 lb
 0 lb

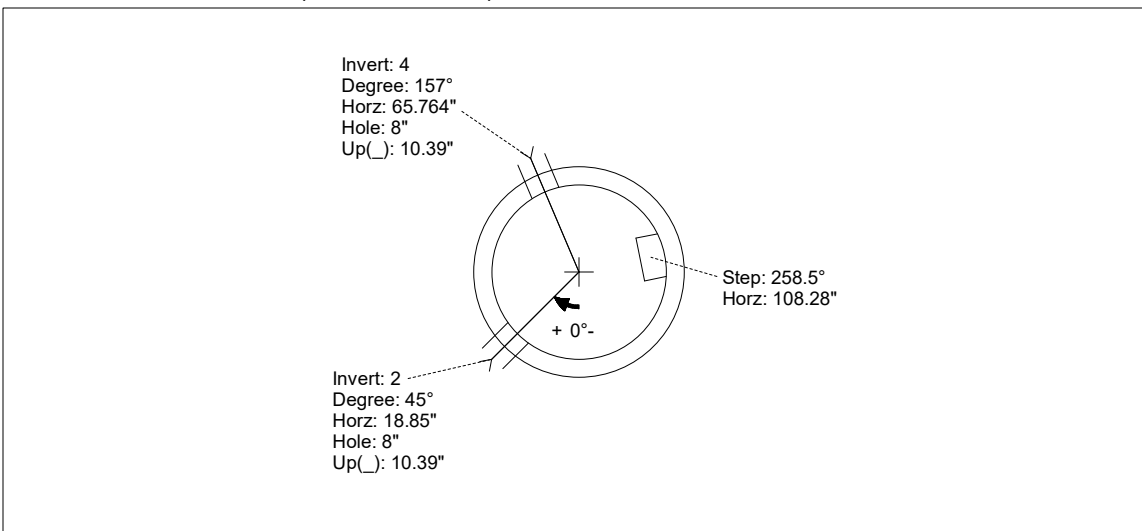
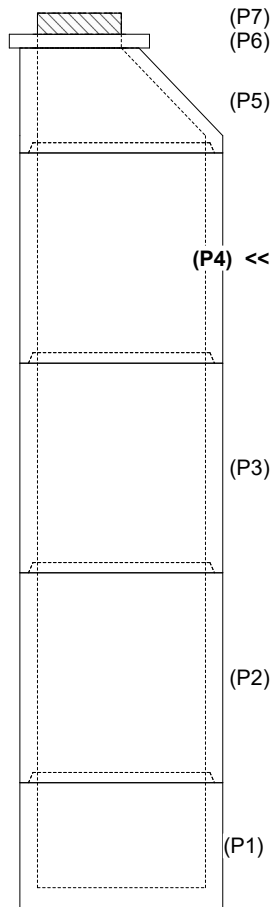
 Structure Total: 19813 lb

- Structure Notes:
1. PER ASTM C-478 SPECIFICATIONS
 2. CONCRETE: 4,000 PSI AT 28 DAYS
 3. REINFORCEMENT: PER ASTM A615
 4. CONBLOCK CDA RED ADMIXTURE REQUIRED
 5. STEPS AT 258.5 DEGREES
 6. JBS 1155 FRAME & COVER "SANITARY" SUPPLIED BY ICAST
 7. INTERNAL DROPS AT INVERTS 2 & 4 TO BE SUPPLIED BY OTHERS - ICAST IS TO SUPPLY OPENINGS & BOOTS

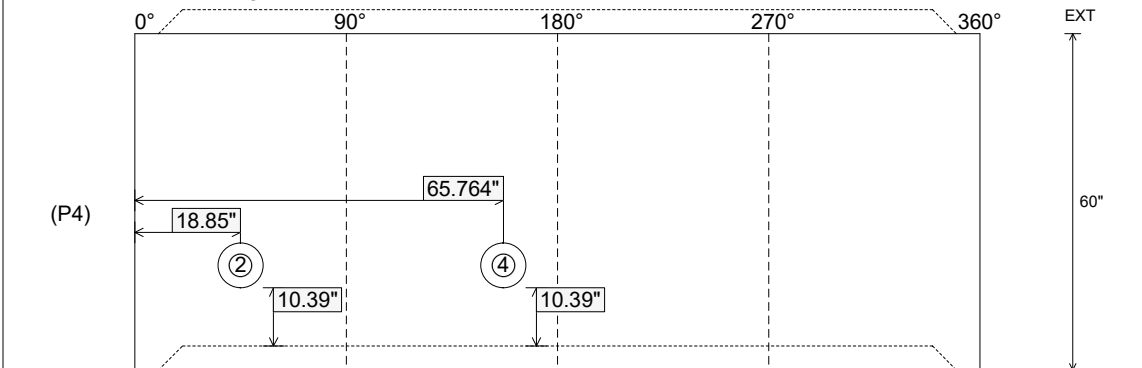
Rim: 489.47' Rim to Invert: 20.72' Slack: 0.64" Sump: 2" Step Position: 258.5°

| Position | Elev | Angle | Ext. (cw) | Pipe | Pipe OD | Connector | Hole | Horz Size | Up () | Offset |
|----------|---------|-------|-----------|--------------|---------|-----------------|------|-----------|--------|--------|
| Invert 1 | | | | | | | | | | |
| Invert 2 | 482.47' | 45° | 22.777" | 4" PVC SDR35 | 4.25" | PSX 8QRS-S NYLO | 8" | 8.038" | 10.39" | 0" |
| Invert 3 | | | | | | | | | | |
| Invert 4 | 482.47' | 157° | 79.465" | 4" PVC SDR35 | 4.25" | PSX 8QRS-S NYLO | 8" | 8.038" | 10.39" | 0" |
| Invert 5 | | | | | | | | | | |
| Invert 6 | | | | | | | | | | |
| Invert 7 | | | | | | | | | | |
| Invert 8 | | | | | | | | | | |

RIGHT-SIDE UP VIEW (int. dimensions)



INSIDE WALL DIMENSIONS



| | | | | |
|----------------------------------|------------------------------------|--|--|--|
| Coating (Int): Coating (Ext): | Seam Up: Tongue Seam Dn: Groove | Wall Thickness: 5" Floor Height: 0" | Height (Int): 60" Height (Ext): 60" | Weight (Net): 4149 lb Volume (Net): 1.06cu.yd |
|----------------------------------|------------------------------------|--|--|--|