

Job Name: 26-1191 - Red River Ridge Ph 4 Sanitary  
 Job Location: Clarksville, TN  
 Contractor: Byard Construction, LLC

Plant: 100

Tech: J. Horsley

2/18/2026 2:55:41 PM

PC: A. Chambers



**Structure ID: MH 1-7-6 SS-MH**

**P2 MH048RS60CDARED**

**MH RISER w/ConBlock-CDA Red T/G**

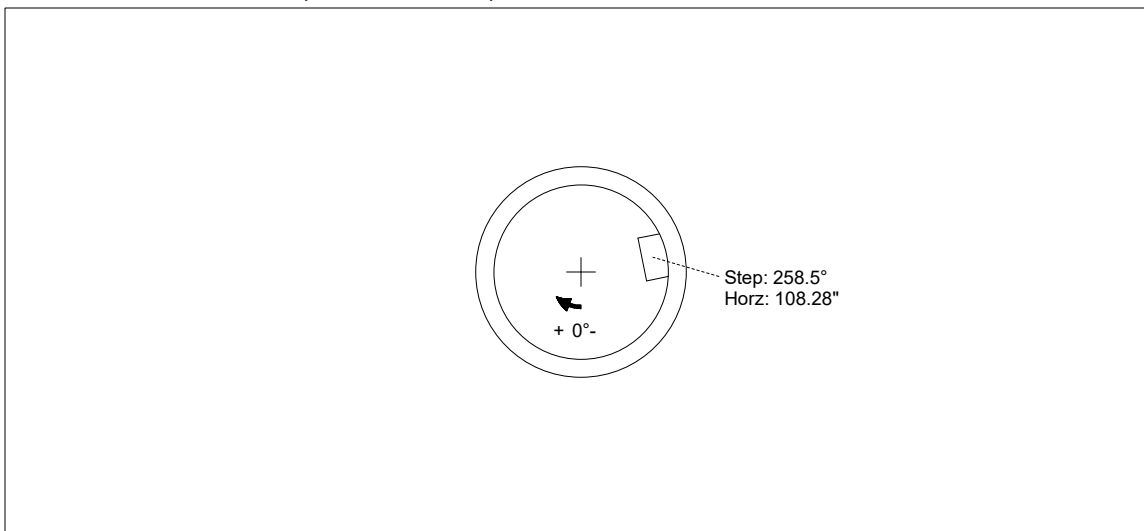
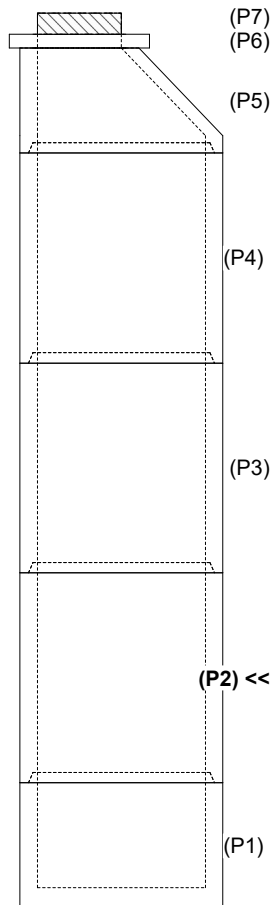
P7) 24" - CASTING HEIGHT - 6"	0 lb
P6) 24" - GRADE RING w/ConBlock-CDA Red F/F - 4"	270 lb
P5) 48" - ECC CONE w/ 24" HOLE, w/ConBlock-CDA Red F/G - 30"	1961 lb
P4) 48" - MH RISER SPECIAL w/ConBlock-CDA Red T/G - 60"	4149 lb
P3) 48" - MH RISER w/ConBlock-CDA Red T/G - 60"	4192 lb
P2) 48" - MH RISER w/ConBlock-CDA Red T/G - 60"	4192 lb
P1) 48" - MH BASE w/ConBlock-CDA Red T/n - 30"	3330 lb
1) 48" - MH INVERT CHANNEL w/ConBlock-CDA Red - FULL HEIGHT	1440 lb
1) ADMIXTURE CONBLOCK CDA RED	0 lb
1) JOINT WRAP - 0.065"x6"x50' CONSEAL CS212	0 lb
1) JOINT WRAP PRIMER - CONSEAL CS-75 (1 gal.)	0 lb
1) CASTING - JBS 1155 F/C SANITARY	250 lb
4) 48" - Conseal CS-102 1.00" (Double)	0 lb
2) PSX - 12-08 NYLO	16 lb
2) PSX - 8QRS-S NYLO	13 lb
20) MH Step ML-10-TDS-NCR - 10"	0 lb
<b>Structure Total:</b>	<b>19813 lb</b>

**Structure Notes:**  
 1. PER ASTM C-478 SPECIFICATIONS  
 2. CONCRETE: 4,000 PSI AT 28 DAYS  
 3. REINFORCEMENT: PER ASTM A615  
 4. CONBLOCK CDA RED ADMIXTURE REQUIRED  
 5. STEPS AT 258.5 DEGREES  
 6. JBS 1155 FRAME & COVER "SANITARY" SUPPLIED BY ICAST

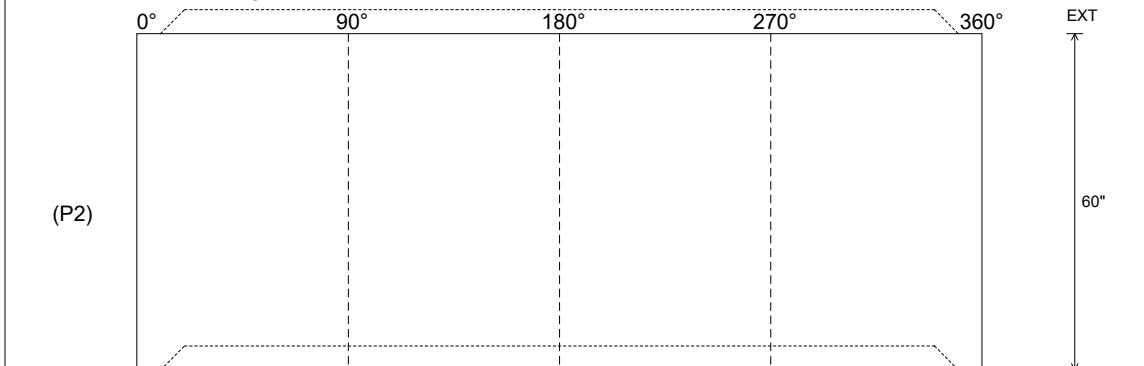
Rim: 489.47' Rim to Invert: 20.72' Slack: 0.64" Sump: 2" Step Position: 258.5°

Position	Elev	Angle	Ext. (cw)	Pipe	Pipe OD	Connector	Hole	Horz Size	Up ( )	Offset
Invert 1										
Invert 2										
Invert 3										
Invert 4										
Invert 5										
Invert 6										
Invert 7										
Invert 8										

**RIGHT-SIDE UP VIEW (int. dimensions)**



**INSIDE WALL DIMENSIONS**



Coating (Int):  
 Coating (Ext):

Seam Up: Tongue  
 Seam Dn: Groove

Wall Thickness: 5"  
 Floor Height: 0"

Height (Int): 60"  
 Height (Ext): 60"

Weight (Net): 4192 lb  
 Volume (Net): 1.07cu.yd