

**Structure ID: MH 1-7-6 SS-MH**

**P1 MH048BA30CDARED**

**MH BASE w/ConBlock-CDA Red T/n**

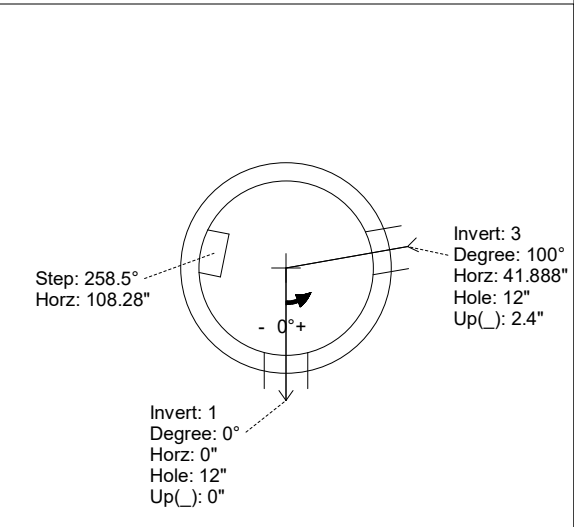
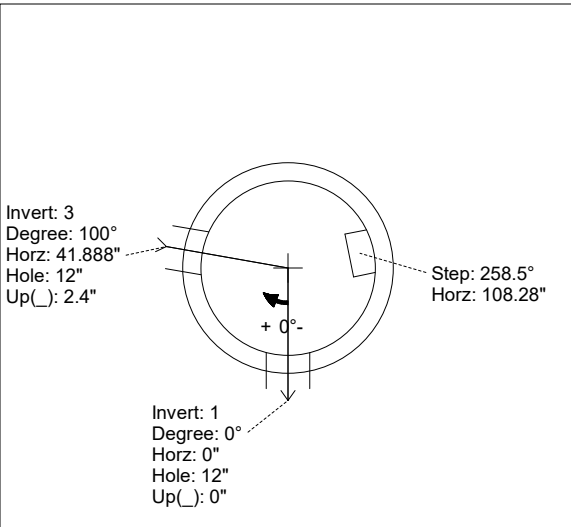
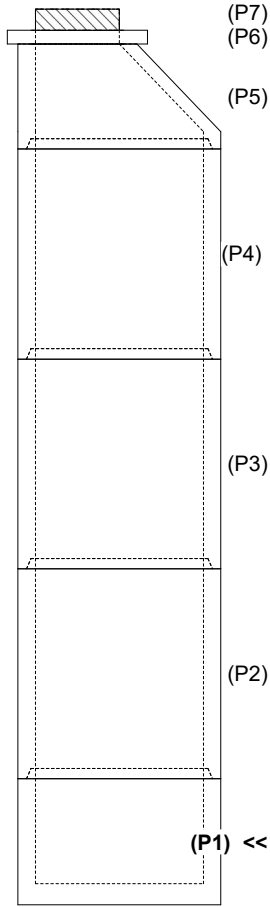
P7) 24" - CASTING HEIGHT - 6" P6) 24" - GRADE RING w/ConBlock-CDA Red F/F - 4" P5) 48" - ECC CONE w/ 24" HOLE, w/ConBlock-CDA Red F/G - 30" P4) 48" - MH RISER SPECIAL w/ConBlock-CDA Red T/G - 60" P3) 48" - MH RISER w/ConBlock-CDA Red T/G - 60" P2) 48" - MH RISER w/ConBlock-CDA Red T/G - 60" P1) 48" - MH BASE w/ConBlock-CDA Red T/n - 30" 1) 48" - MH INVERT CHANNEL w/ConBlock-CDA Red - FULL HEIGHT 1) ADMIXTURE CONBLOCK CDA RED 1) JOINT WRAP - 0.065"x6"x50' CONSEAL CS212 1) JOINT WRAP PRIMER - CONSEAL CS-75 (1 gal.) 1) CASTING - JBS 1155 F/C SANITARY 4) 48" - Conseal CS-102 1.00" (Double) 2) PSX - 12-08 NYLO 2) PSX - 8QRS-S NYLO 20) MH Step ML-10-TDS-NCR - 10"	0 lb 270 lb 1961 lb 4149 lb 4192 lb 4192 lb 3330 lb 1440 lb 0 lb 0 lb 0 lb 250 lb 0 lb 16 lb 13 lb 0 lb ----- Structure Total: 19813 lb
--	--

Structure Notes:  
 1. PER ASTM C-478 SPECIFICATIONS  
 2. CONCRETE: 4,000 PSI AT 28 DAYS  
 3. REINFORCEMENT: PER ASTM A615  
 4. INVERT CHANNEL REQUIRED  
 5. CONBLOCK CDA RED ADMIXTURE REQUIRED  
 6. STEPS AT 258.5 DEGREES  
 7. JBS 1155 FRAME & COVER "SANITARY" SUPPLIED BY ICAST

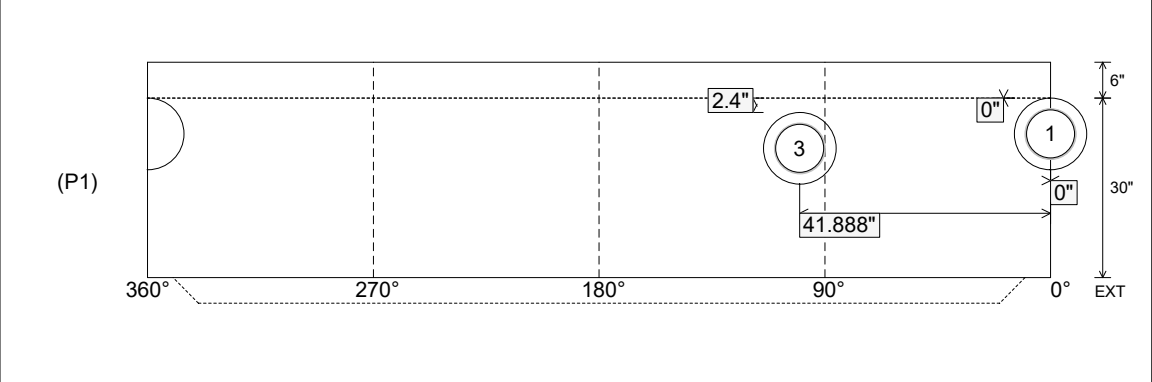
Rim: 489.47' Rim to Invert: 20.72' Slack: 0.64" Sump: 2" Step Position: 258.5°

Position	Elev	Angle	Ext. (cw)	Pipe	Pipe OD	Connector	Hole	Horz Size	Up ( )	Offset
Invert 1	468.75'	0°	0"	8" PVC SDR26	8.5"	PSX 12-08 NYLO	12"	12.129"	0"	0"
Invert 2										
Invert 3	468.95'	100°	50.615"	8" PVC SDR26	8.5"	PSX 12-08 NYLO	12"	12.129"	2.4"	0"
Invert 4										
Invert 5										
Invert 6										
Invert 7										
Invert 8										

RIGHT-SIDE UP VIEW (int. dimensions)      UPSIDE-DOWN VIEW (int. dimenions)



INSIDE WALL DIMENSIONS



Coating (Int): Coating (Ext):	Seam Up: Tongue Seam Dn: n/a	Wall Thickness: 5" Floor Height: 6"	Height (Int): 30" Height (Ext): 36"	Weight (Net): 3330 lb Volume (Net): 0.85cu.yd
----------------------------------	---------------------------------	--	--	--

**Structure ID: MH 1-7-6 SS-MH**

**P1 MH048BA30CDARED**

**MH BASE w/ConBlock-CDA Red T/n**

P7) 24" - CASTING HEIGHT - 6" P6) 24" - GRADE RING w/ConBlock-CDA Red F/F - 4" P5) 48" - ECC CONE w/ 24" HOLE, w/ConBlock-CDA Red F/G - 30" P4) 48" - MH RISER SPECIAL w/ConBlock-CDA Red T/G - 60" P3) 48" - MH RISER w/ConBlock-CDA Red T/G - 60" P2) 48" - MH RISER w/ConBlock-CDA Red T/G - 60" P1) 48" - MH BASE w/ConBlock-CDA Red T/n - 30" 1) 48" - MH INVERT CHANNEL w/ConBlock-CDA Red - FULL HEIGHT 1) ADMIXTURE CONBLOCK CDA RED 1) JOINT WRAP - 0.065"x6"x50' CONSEAL CS212 1) JOINT WRAP PRIMER - CONSEAL CS-75 (1 gal.) 1) CASTING - JBS 1155 F/C SANITARY 4) 48" - Conseal CS-102 1.00" (Double) 2) PSX - 12-08 NYLO 2) PSX - 8QRS-S NYLO 20) MH Step ML-10-TDS-NCR - 10"	0 lb 270 lb 1961 lb 4149 lb 4192 lb 4192 lb 3330 lb 1440 lb 0 lb 0 lb 0 lb 250 lb 0 lb 16 lb 13 lb 0 lb ----- Structure Total: 19813 lb
--	--

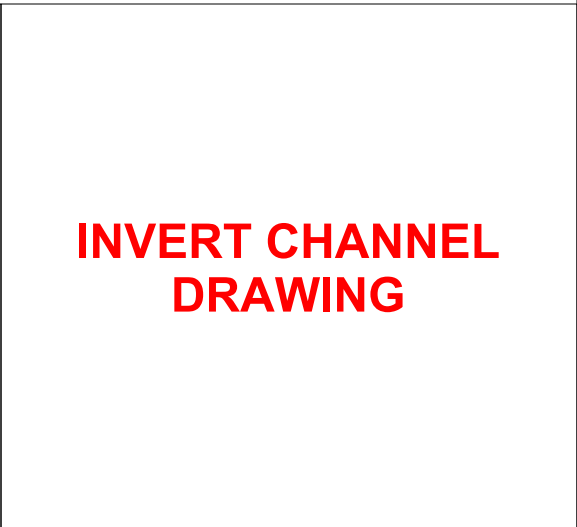
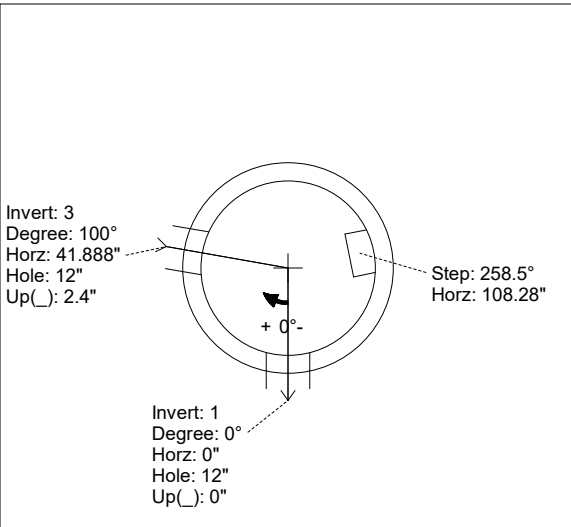
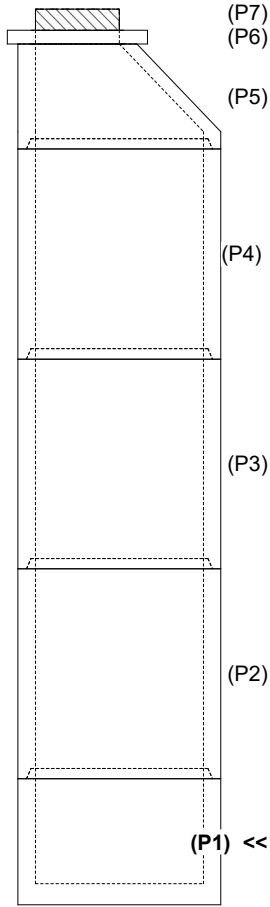
**Structure Notes:**

1. PER ASTM C-478 SPECIFICATIONS
2. CONCRETE: 4,000 PSI AT 28 DAYS
3. REINFORCEMENT: PER ASTM A615
4. INVERT CHANNEL REQUIRED
5. CONBLOCK CDA RED ADMIXTURE REQUIRED
6. STEPS AT 258.5 DEGREES
7. JBS 1155 FRAME & COVER "SANITARY" SUPPLIED BY ICAST

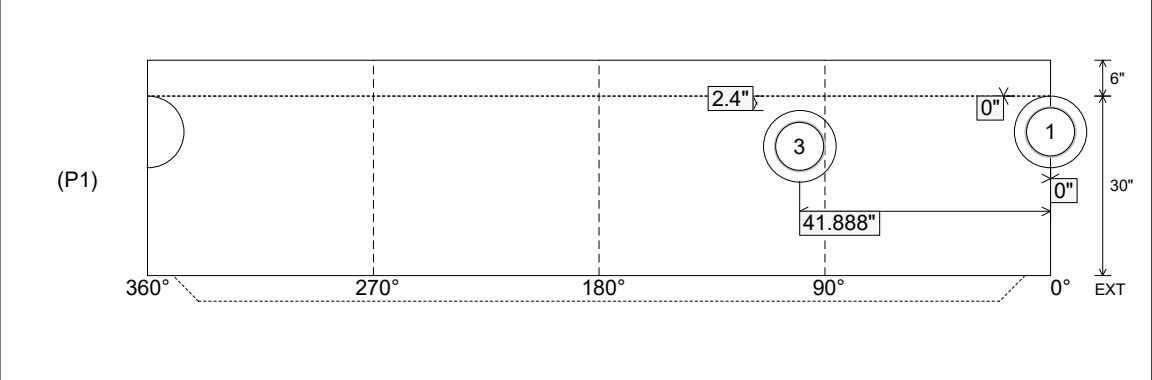
Rim: 489.47'    Rim to Invert: 20.72'    Slack: 0.64"    Sump: 2"    Step Position: 258.5°

Position	Elev	Angle	Ext. (cw)	Pipe	Pipe OD	Connector	Hole	Horz Size	Up ( )	Offset
Invert 1	468.75'	0°	0"	8" PVC SDR26	8.5"	PSX 12-08 NYLO	12"	12.129"	0"	0"
Invert 2										
Invert 3	468.95'	100°	50.615"	8" PVC SDR26	8.5"	PSX 12-08 NYLO	12"	12.129"	2.4"	0"
Invert 4										
Invert 5										
Invert 6										
Invert 7										
Invert 8										

RIGHT-SIDE UP VIEW (int. dimensions) UPSIDE-DOWN VIEW (int. dimenions)



INSIDE WALL DIMENSIONS



Coating (Int): Coating (Ext):	Seam Up: Tongue Seam Dn: n/a	Wall Thickness: 5" Floor Height: 6"	Height (Int): 30" Height (Ext): 36"	Weight (Net): 3330 lb Volume (Net): 0.85cu.yd
----------------------------------	---------------------------------	--	--	--