

**Job Name: 26-1191 - Red River Ridge Ph 4 Sanitary**  
**Job Location: Clarksville, TN**  
**Contractor: Byard Construction, LLC**

PC: A. Chambers  
 TECH: J. Horsley  
 Plant: 100



Structure ID: MH 1-6-5 SS-MH

Spec: Sanitary  
 Type: SAN.MH w/ConBlock-CDA Red  
 Size: 48"

Rim: 485.74'  
 Invert: 468.05'  
 Rim to Invert: 17.69'

Sump: 2"  
 Floor (Top): 467.883'  
 Floor Height: 6"

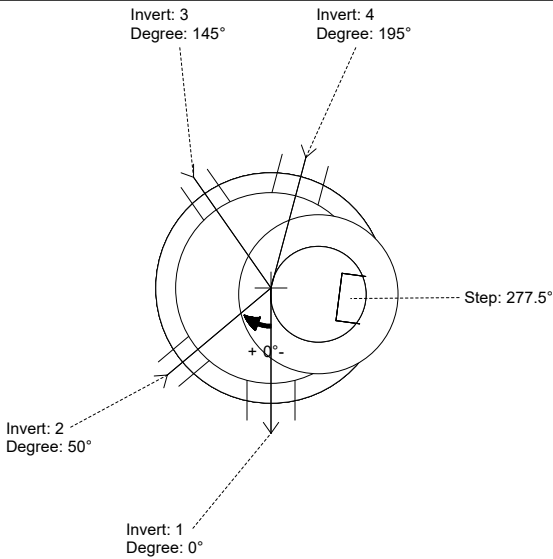
Floor (Bot): 467.383'  
 Overall Height: 18.333'  
 Slack: 0.28"

**Structure Notes:**

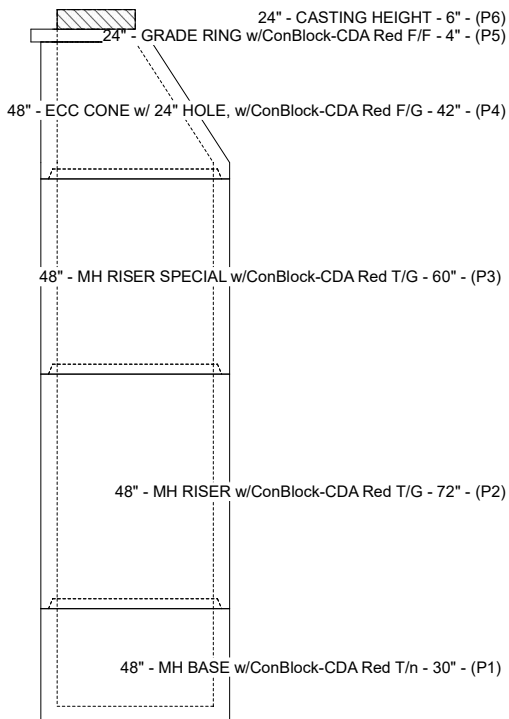
- PER ASTM C-478 SPECIFICATIONS
- CONCRETE: 4,000 PSI AT 28 DAYS
- REINFORCEMENT: PER ASTM A615
- INVERT CHANNEL REQUIRED
- CONBLOCK CDA RED ADMIXTURE REQUIRED
- STEPS AT 277.5 DEGREES
- JBS 1155 FRAME & COVER "SANITARY" SUPPLIED BY ICAST
- INTERNAL DROPS AT INVERTS 2 & 3 TO BE SUPPLIED BY OTHERS - ICAST IS TO SUPPLY OPENINGS & BOOTS

**STRUCTURE SUMMARY:**

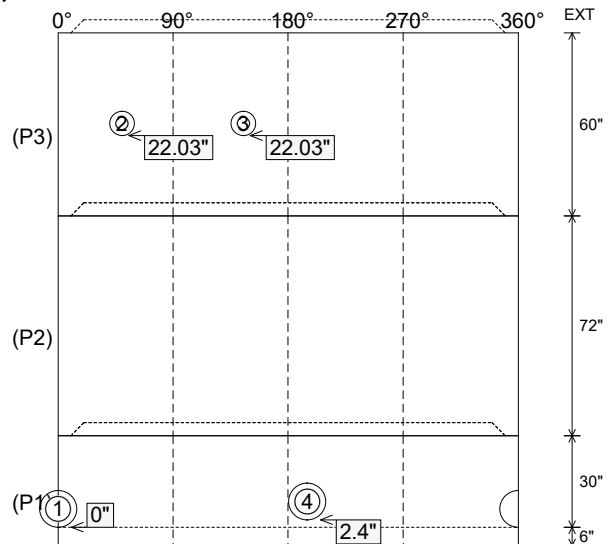
- P6) 24" - CASTING HEIGHT - 6" 0 lb
  - P5) 24" - GRADE RING w/ConBlock-CDA Red F/F - 4" 270 lb
  - P4) 48" - ECC CONE w/ 24" HOLE, w/ConBlock-CDA Red F/G - 42" 3116 lb
  - P3) 48" - MH RISER SPECIAL w/ConBlock-CDA Red T/G - 60" 4149 lb
  - P2) 48" - MH RISER w/ConBlock-CDA Red T/G - 72" 5030 lb
  - P1) 48" - MH BASE w/ConBlock-CDA Red T/n - 30" 3330 lb
  - 1) 48" - MH INVERT CHANNEL w/ConBlock-CDA Red - FULL HEIGHT 1440 lb
  - 1) ADMIXTURE CONBLOCK CDA RED 0 lb
  - 1) JOINT WRAP - 0.065"x6"x50' CONSEAL CS212 0 lb
  - 1) JOINT WRAP PRIMER - CONSEAL CS-75 (1 gal.) 0 lb
  - 1) CASTING - JBS 1155 F/C SANITARY 250 lb
  - 3) 48" - Conseal CS-102 1.00" (Double) 0 lb
  - 2) PSX - 12-08 NYLO 16 lb
  - 2) PSX - 8QRS-S NYLO 13 lb
  - 17) MH Step ML-10-TDS-NCR - 10" 0 lb
- Structure Total: 17614 lb



Position	Elev	Angle	Pipe	Pipe OD	Hole	Connector	Up (L)	Ref
Rim	485.74'							
Reducer								
Invert 1	468.05'	0°	8" PVC SDR26	8.5"	12"	PSX 12-08 NYLO	0"	P1
Invert 2	478.74'	50°	4" PVC SDR35	4.25"	8"	PSX 8QRS-S NYLO	22.03"	P3
Invert 3	478.74'	145°	4" PVC SDR35	4.25"	8"	PSX 8QRS-S NYLO	22.03"	P3
Invert 4	468.25'	195°	8" PVC SDR26	8.5"	12"	PSX 12-08 NYLO	2.4"	P1
Invert 5								
Invert 6								
Invert 7								
Invert 8								



**Cast (Int. Dim.) - Interior Dimensions**



Submittal Drawing  
 2/18/2026 1:29:15 PM

SUBMITTAL  
 APPROVED BY: