

Job Name: 26-1191 - Red River Ridge Ph 4 Sanitary
 Job Location: Clarksville, TN
 Contractor: Byard Construction, LLC

Plant: 100

Tech: J. Horsley

2/18/2026 2:55:40 PM

PC: A. Chambers



Structure ID: MH 1-6-5 SS-MH

P3 MH048RS60SCDR

MH RISER SPECIAL w/ConBlock-CDA Red T/G

- P6) 24" - CASTING HEIGHT - 6"
- P5) 24" - GRADE RING w/ConBlock-CDA Red F/F - 4"
- P4) 48" - ECC CONE w/ 24" HOLE, w/ConBlock-CDA Red F/G - 42"
- P3) 48" - MH RISER SPECIAL w/ConBlock-CDA Red T/G - 60"
- P2) 48" - MH RISER w/ConBlock-CDA Red T/G - 72"
- P1) 48" - MH BASE w/ConBlock-CDA Red T/n - 30"
- 1) 48" - MH INVERT CHANNEL w/ConBlock-CDA Red - FULL HEIGHT
- 1) ADMIXTURE CONBLOCK CDA RED
- 1) JOINT WRAP - 0.065"x6"x50' CONSEAL CS212
- 1) JOINT WRAP PRIMER - CONSEAL CS-75 (1 gal.)
- 1) CASTING - JBS 1155 F/C SANITARY
- 3) 48" - Conseal CS-102 1.00" (Double)
- 2) PSX - 12-08 NYLO
- 2) PSX - 8QRS-S NYLO
- 17) MH Step ML-10-TDS-NCR - 10"

0 lb
 270 lb
 3116 lb
 4149 lb
 5030 lb
 3330 lb
 1440 lb
 0 lb
 0 lb
 0 lb
 250 lb
 0 lb
 16 lb
 13 lb
 0 lb

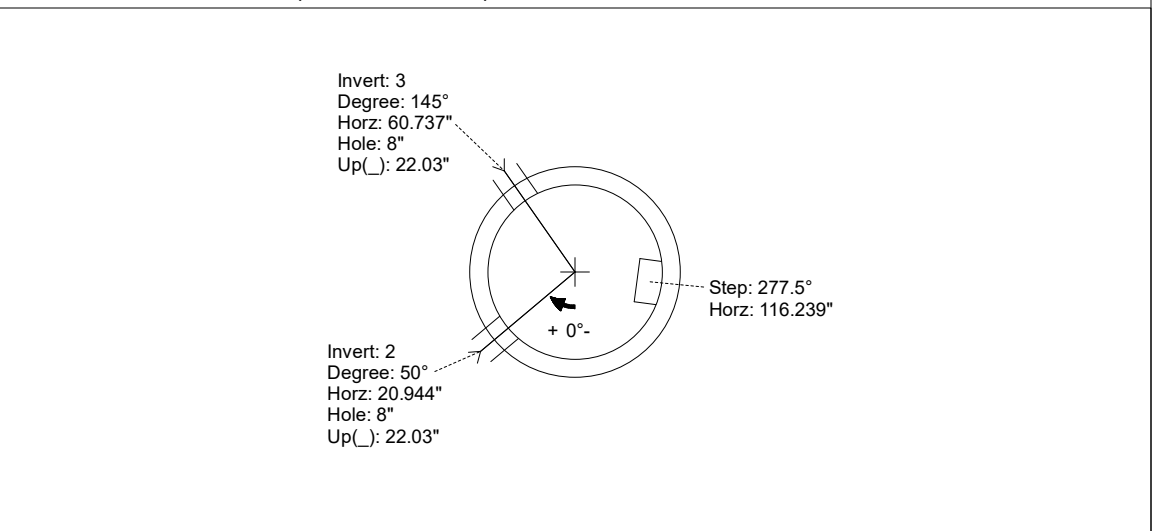
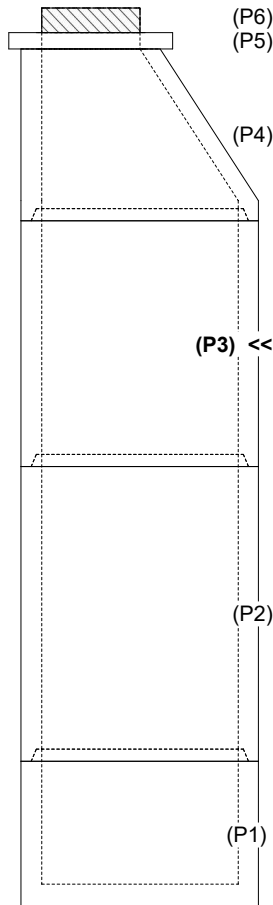
- Structure Notes:**
1. PER ASTM C-478 SPECIFICATIONS
 2. CONCRETE: 4,000 PSI AT 28 DAYS
 3. REINFORCEMENT: PER ASTM A615
 4. CONBLOCK CDA RED ADMIXTURE REQUIRED
 5. STEPS AT 277.5 DEGREES
 6. JBS 1155 FRAME & COVER "SANITARY" SUPPLIED BY ICAST
 7. INTERNAL DROPS AT INVERTS 2 & 3 TO BE SUPPLIED BY OTHERS - ICAST IS TO SUPPLY OPENINGS & BOOTS

Structure Total: 17614 lb

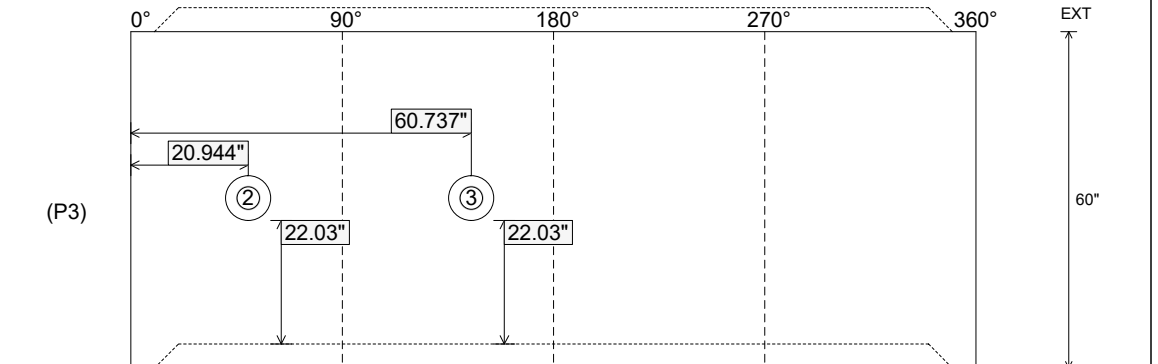
Rim: 485.74' Rim to Invert: 17.69' Slack: 0.28' Sump: 2' Step Position: 277.5°

Position	Elev	Angle	Ext. (cw)	Pipe	Pipe OD	Connector	Hole	Horz Size	Up ()	Offset
Invert 1										
Invert 2	478.74'	50°	25.307"	4" PVC SDR35	4.25"	PSX 8QRS-S NYLO	8"	8.038"	22.03"	0"
Invert 3	478.74'	145°	73.391"	4" PVC SDR35	4.25"	PSX 8QRS-S NYLO	8"	8.038"	22.03"	0"
Invert 4										
Invert 5										
Invert 6										
Invert 7										
Invert 8										

RIGHT-SIDE UP VIEW (int. dimensions)



INSIDE WALL DIMENSIONS



Coating (Int):
 Coating (Ext):

Seam Up: Tongue
 Seam Dn: Groove

Wall Thickness: 5"
 Floor Height: 0"

Height (Int): 60"
 Height (Ext): 60"

Weight (Net): 4149 lb
 Volume (Net): 1.06cu.yd