

Job Name: 26-1191 - Red River Ridge Ph 4 Sanitary  
 Job Location: Clarksville, TN  
 Contractor: Byard Construction, LLC

Plant: 100

Tech: J. Horsley

2/18/2026 2:52:47 PM

PC: A. Chambers



**Structure ID: MH 1-6-5 SS-MH**

**P1 MH048BA30CDARED**

**MH BASE w/ConBlock-CDA Red T/n**

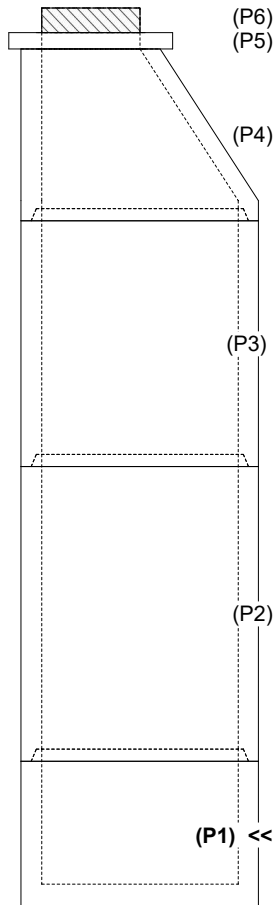
- P6) 24" - CASTING HEIGHT - 6"
- P5) 24" - GRADE RING w/ConBlock-CDA Red F/F - 4"
- P4) 48" - ECC CONE w/ 24" HOLE, w/ConBlock-CDA Red F/G - 42"
- P3) 48" - MH RISER SPECIAL w/ConBlock-CDA Red T/G - 60"
- P2) 48" - MH RISER w/ConBlock-CDA Red T/G - 72"
- P1) 48" - MH BASE w/ConBlock-CDA Red T/n - 30"
- 1) 48" - MH INVERT CHANNEL w/ConBlock-CDA Red - FULL HEIGHT
- 1) ADMIXTURE CONBLOCK CDA RED
- 1) JOINT WRAP - 0.065"x6"x50' CONSEAL CS212
- 1) JOINT WRAP PRIMER - CONSEAL CS-75 (1 gal.)
- 1) CASTING - JBS 1155 F/C SANITARY
- 3) 48" - Conseal CS-102 1.00" (Double)
- 2) PSX - 12-08 NYLO
- 2) PSX - 8QRS-S NYLO
- 17) MH Step ML-10-TDS-NCR - 10"

0 lb  
 270 lb  
 3116 lb  
 4149 lb  
 5030 lb  
 3330 lb  
 1440 lb  
 0 lb  
 0 lb  
 0 lb  
 250 lb  
 0 lb  
 16 lb  
 13 lb  
 0 lb  
 -----  
 Structure Total: 17614 lb

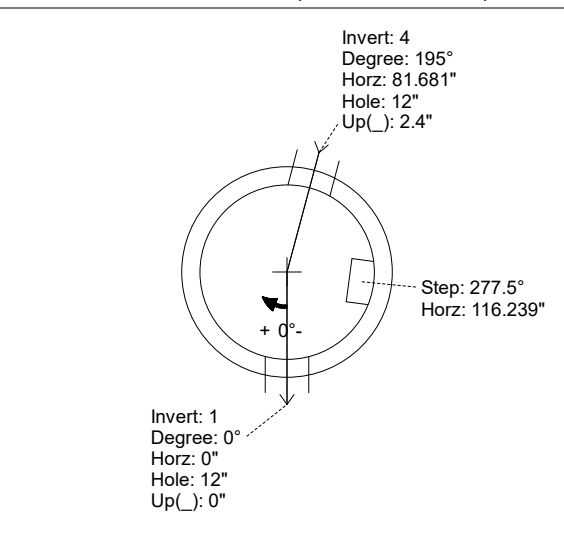
- Structure Notes:**
1. PER ASTM C-478 SPECIFICATIONS
  2. CONCRETE: 4,000 PSI AT 28 DAYS
  3. REINFORCEMENT: PER ASTM A615
  4. INVERT CHANNEL REQUIRED
  5. CONBLOCK CDA RED ADMIXTURE REQUIRED
  6. STEPS AT 277.5 DEGREES
  7. JBS 1155 FRAME & COVER "SANITARY" SUPPLIED BY ICAST

Rim: 485.74' Rim to Invert: 17.69' Slack: 0.28" Sump: 2" Step Position: 277.5°

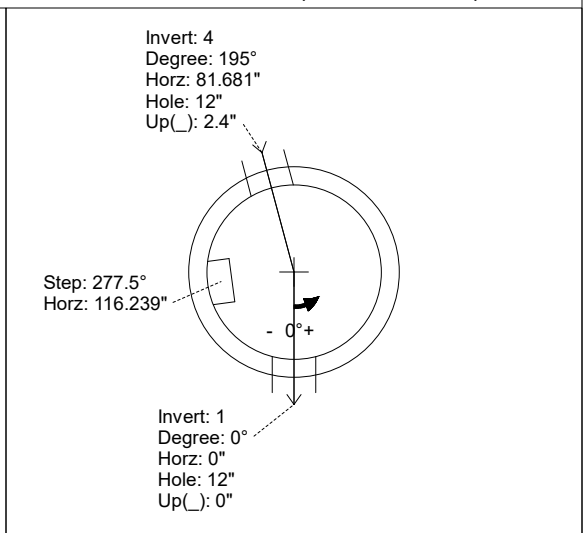
Position	Elev	Angle	Ext. (cw)	Pipe	Pipe OD	Connector	Hole	Horz Size	Up ( )	Offset
Invert 1	468.05'	0°	0"	8" PVC SDR26	8.5"	PSX 12-08 NYLO	12"	12.129"	0"	0"
Invert 2										
Invert 3										
Invert 4	468.25'	195°	98.698"	8" PVC SDR26	8.5"	PSX 12-08 NYLO	12"	12.129"	2.4"	0"
Invert 5										
Invert 6										
Invert 7										
Invert 8										



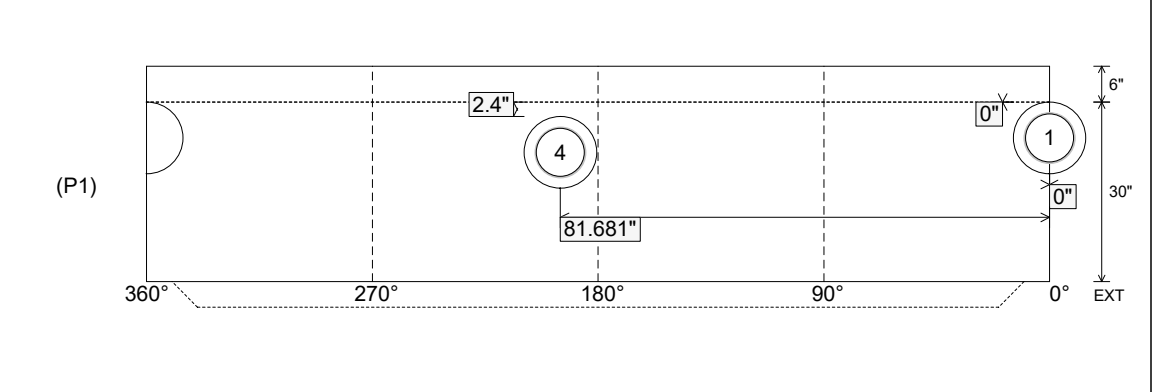
RIGHT-SIDE UP VIEW (int. dimensions)



UPSIDE-DOWN VIEW (int. dimensions)



INSIDE WALL DIMENSIONS



Coating (Int):  
 Coating (Ext):

Seam Up: Tongue  
 Seam Dn: n/a

Wall Thickness: 5"  
 Floor Height: 6"

Height (Int): 30"  
 Height (Ext): 36"

Weight (Net): 3330 lb  
 Volume (Net): 0.85cu.yd

**Structure ID: MH 1-6-5 SS-MH**

**P1 MH048BA30CDARED**

**MH BASE w/ConBlock-CDA Red T/n**

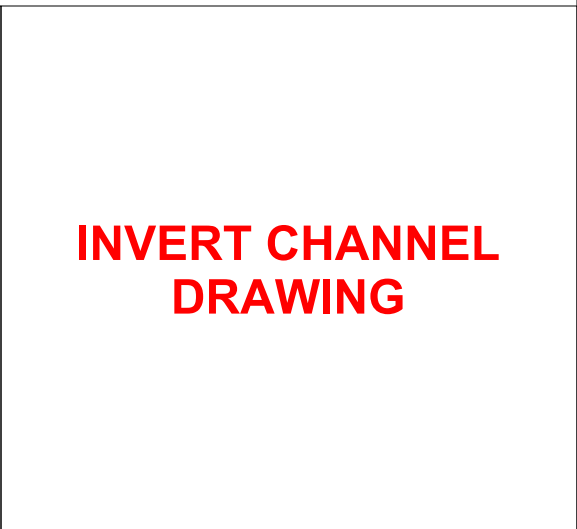
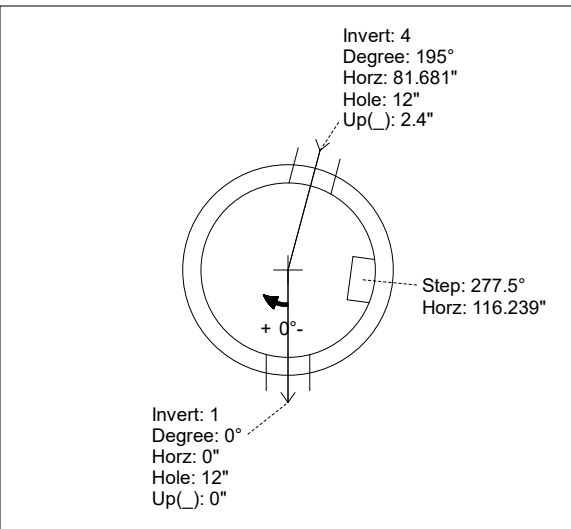
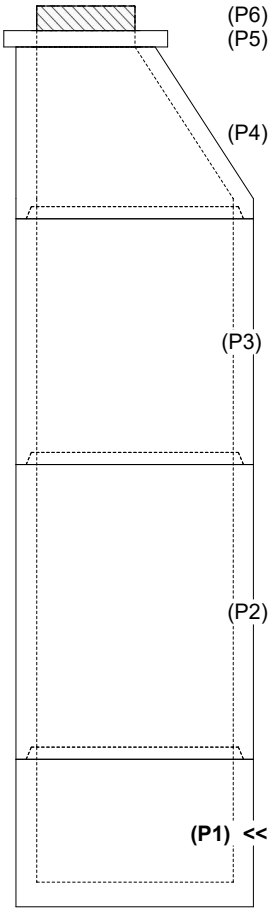
P6) 24" - CASTING HEIGHT - 6" P5) 24" - GRADE RING w/ConBlock-CDA Red F/F - 4" P4) 48" - ECC CONE w/ 24" HOLE, w/ConBlock-CDA Red F/G - 42" P3) 48" - MH RISER SPECIAL w/ConBlock-CDA Red T/G - 60" P2) 48" - MH RISER w/ConBlock-CDA Red T/G - 72" P1) 48" - MH BASE w/ConBlock-CDA Red T/n - 30" 1) 48" - MH INVERT CHANNEL w/ConBlock-CDA Red - FULL HEIGHT 1) ADMIXTURE CONBLOCK CDA RED 1) JOINT WRAP - 0.065"x6"x50' CONSEAL CS212 1) JOINT WRAP PRIMER - CONSEAL CS-75 (1 gal.) 1) CASTING - JBS 1155 F/C SANITARY 3) 48" - Conseal CS-102 1.00" (Double) 2) PSX - 12-08 NYLO 2) PSX - 8QRS-S NYLO 17) MH Step ML-10-TDS-NCR - 10"	0 lb 270 lb 3116 lb 4149 lb 5030 lb 3330 lb 1440 lb 0 lb 0 lb 0 lb 250 lb 0 lb 16 lb 13 lb 0 lb ----- Structure Total: 17614 lb
---	---

- Structure Notes:**
1. PER ASTM C-478 SPECIFICATIONS
  2. CONCRETE: 4,000 PSI AT 28 DAYS
  3. REINFORCEMENT: PER ASTM A615
  4. INVERT CHANNEL REQUIRED
  5. CONBLOCK CDA RED ADMIXTURE REQUIRED
  6. STEPS AT 277.5 DEGREES
  7. JBS 1155 FRAME & COVER "SANITARY" SUPPLIED BY ICAST

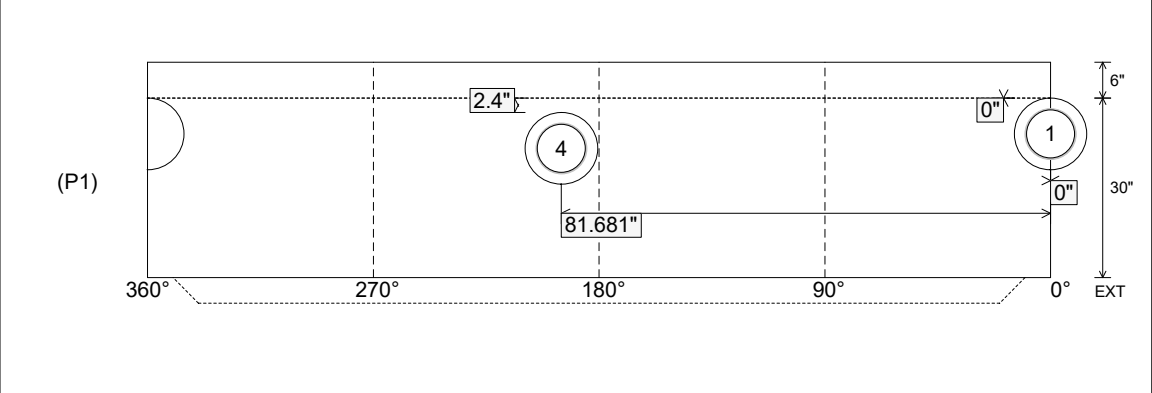
Rim: 485.74'    Rim to Invert: 17.69'    Slack: 0.28"    Sump: 2"    Step Position: 277.5°

Position	Elev	Angle	Ext. (cw)	Pipe	Pipe OD	Connector	Hole	Horz Size	Up ( )	Offset
Invert 1	468.05'	0°	0"	8" PVC SDR26	8.5"	PSX 12-08 NYLO	12"	12.129"	0"	0"
Invert 2										
Invert 3										
Invert 4	468.25'	195°	98.698"	8" PVC SDR26	8.5"	PSX 12-08 NYLO	12"	12.129"	2.4"	0"
Invert 5										
Invert 6										
Invert 7										
Invert 8										

**RIGHT-SIDE UP VIEW (int. dimensions)      UPSIDE-DOWN VIEW (int. dimensions)**



**INSIDE WALL DIMENSIONS**



Coating (Int): Coating (Ext):	Seam Up: Tongue Seam Dn: n/a	Wall Thickness: 5" Floor Height: 6"	Height (Int): 30" Height (Ext): 36"	Weight (Net): 3330 lb Volume (Net): 0.85cu.yd
----------------------------------	---------------------------------	--	--	--