

**Job Name: 26-1191 - Red River Ridge Ph 4 Sanitary**  
**Job Location: Clarksville, TN**  
**Contractor: Byard Construction, LLC**

PC: A. Chambers  
 TECH: J. Horsley  
 Plant: 100



Structure ID: **MH 1-5-4 SS-MH**

Spec: Sanitary  
 Type: SAN.MH w/ConBlock-CDA Red  
 Size: 48"

Rim: 476.12'  
 Invert: 466.75'  
 Rim to Invert: 9.37'

Sump: 2"  
 Floor (Top): 466.583'  
 Floor Height: 6"

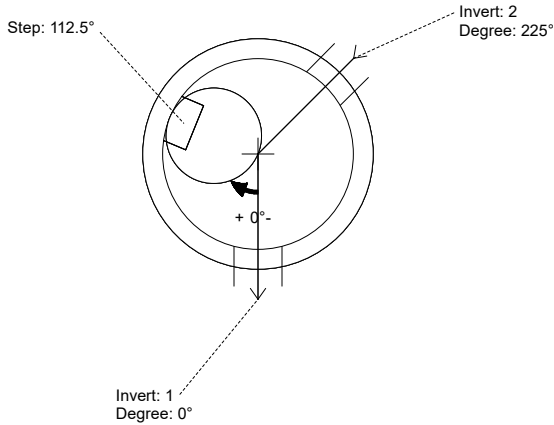
Floor (Bot): 466.083'  
 Overall Height: 10'  
 Slack: 0.44"

**Structure Notes:**

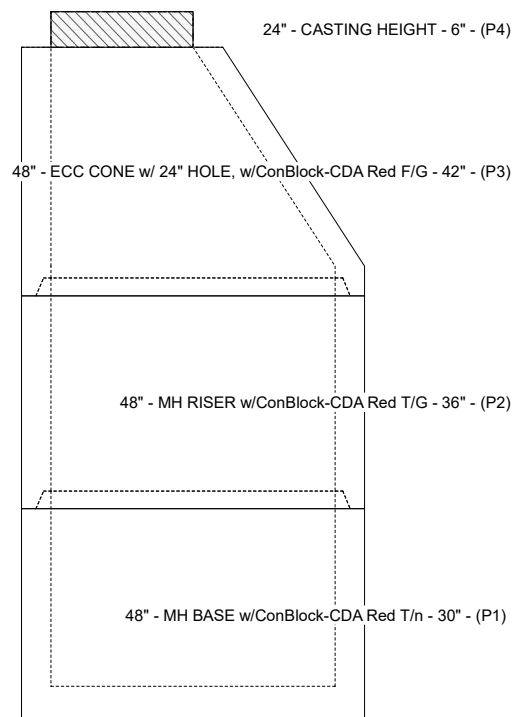
1. PER ASTM C-478 SPECIFICATIONS
2. CONCRETE: 4,000 PSI AT 28 DAYS
3. REINFORCEMENT: PER ASTM A615
4. INVERT CHANNEL REQUIRED
5. CONBLOCK CDA RED ADMIXTURE REQUIRED
6. STEPS AT 112.5 DEGREES
7. JBS 1155 FRAME & COVER "SANITARY" SUPPLIED BY ICAST

**STRUCTURE SUMMARY:**

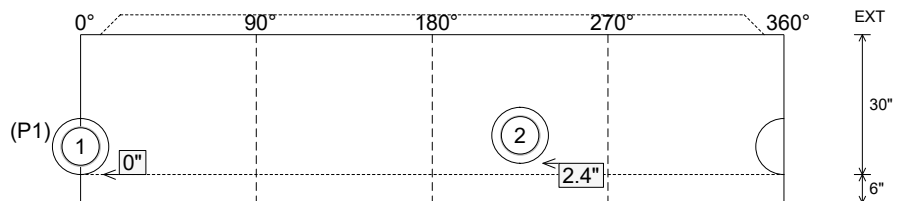
P4) 24" - CASTING HEIGHT - 6"	0 lb
P3) 48" - ECC CONE w/ 24" HOLE, w/ConBlock-CDA Red F/G - 42"	3116 lb
P2) 48" - MH RISER w/ConBlock-CDA Red T/G - 36"	2515 lb
P1) 48" - MH BASE w/ConBlock-CDA Red T/n - 30"	3330 lb
1) 48" - MH INVERT CHANNEL w/CONSHIELD - FULL HEIGHT	1440 lb
1) ADMIXTURE CONBLOCK CDA RED	0 lb
1) JOINT WRAP - 0.065"x6"x50" CONSEAL CS212	0 lb
1) JOINT WRAP PRIMER - CONSEAL CS-75 (1 gal.)	0 lb
1) CASTING - JBS 1155 F/C SANITARY	250 lb
2) 48" - Conseal CS-102 1.00" (Double)	0 lb
2) PSX - 12-08 NYLO	16 lb
9) MH Step ML-10-TDS-NCR - 10"	0 lb
<b>Structure Total:</b>	<b>10667 lb</b>



Position	Elev	Angle	Pipe	Pipe OD	Hole	Connector	Up (L)	Ref
Rim	476.12'							
Reducer								
Invert 1	466.75'	0°	8" PVC SDR35	8.5"	12"	PSX 12-08 NYLO	0"	P1
Invert 2	466.95'	225°	8" PVC SDR26	8.5"	12"	PSX 12-08 NYLO	2.4"	P1
Invert 3								
Invert 4								
Invert 5								
Invert 6								
Invert 7								
Invert 8								



**Cast (Int. Dim.) - Interior Dimensions**



Submittal Drawing  
 2/18/2026 1:29:13 PM

SUBMITTAL  
 APPROVED BY: