

Job Name: 26-1191 - Red River Ridge Ph 4 Sanitary
 Job Location: Clarksville, TN
 Contractor: Byard Construction, LLC

Plant: 100

Tech: J. Horsley

2/18/2026 2:56:26 PM

PC: A. Chambers



Structure ID: MH 1-5-4 SS-MH

P3 MH048CN42CDARED

ECC CONE w/ 24" HOLE, w/ConBlock-CDA Red F/G

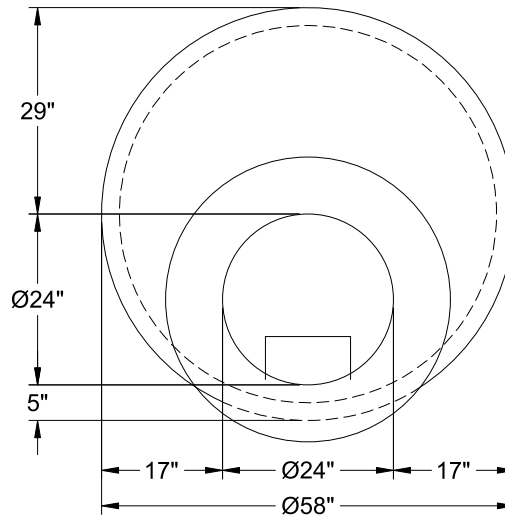
- P4) 24" - CASTING HEIGHT - 6"
- P3) 48" - ECC CONE w/ 24" HOLE, w/ConBlock-CDA Red F/G - 42"
- P2) 48" - MH RISER w/ConBlock-CDA Red T/G - 36"
- P1) 48" - MH BASE w/ConBlock-CDA Red T/n - 30"
- 1) 48" - MH INVERT CHANNEL w/CONSHIELD - FULL HEIGHT
- 1) ADMIXTURE CONBLOCK CDA RED
- 1) JOINT WRAP - 0.065"x6"x50" CONSEAL CS212
- 1) JOINT WRAP PRIMER - CONSEAL CS-75 (1 gal.)
- 1) CASTING - JBS 1155 F/C SANITARY
- 2) 48" - Conseal CS-102 1.00" (Double)
- 2) PSX - 12-08 NYLO
- 9) MH Step ML-10-TDS-NCR - 10"

0 lb
 3116 lb
 2515 lb
 3330 lb
 1440 lb
 0 lb
 0 lb
 0 lb
 250 lb
 0 lb
 16 lb
 0 lb

Structure Notes:

1. PER ASTM C-478 SPECIFICATIONS
2. CONCRETE: 4,000 PSI AT 28 DAYS
3. REINFORCEMENT: PER ASTM A615
4. CONBLOCK CDA RED ADMIXTURE REQUIRED
5. STEPS REQUIRED
6. JBS 1155 FRAME & COVER "SANITARY" SUPPLIED BY ICAST

Structure Total: 10667 lb



48" - ECC CONE w/ 24" HOLE, w/ConBlock-CDA Red F/G - 42" - (P3)



Coating (Int):
 Coating (Ext):

Seam Up: Flat
 Seam Dn: Groove

Wall Thickness: 5"

Height (Ext): 42"

Weight (Net): 3116 lb
 Volume (Net): 0.8cu.yd