

Job Name: 26-1191 - Red River Ridge Ph 4 Sanitary
 Job Location: Clarksville, TN
 Contractor: Byard Construction, LLC

Plant: 100
 2/18/2026 2:56:24 PM

Tech: J. Horsley
 PC: A. Chambers



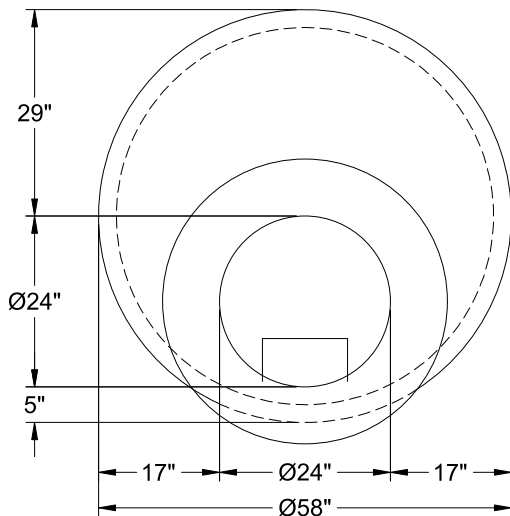
Structure ID: MH 1-4-3 SS-MH

P3 MH048CN36CDARED

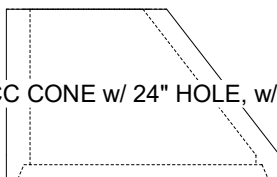
ECC CONE w/ 24" HOLE, w/ConBlock-CDA Red F/G

| | |
|--|---------|
| P5) 24" - CASTING HEIGHT - 6" | 0 lb |
| P4) 24" - GRADE RING w/ConBlock-CDA Red F/F - 4" | 270 lb |
| P3) 48" - ECC CONE w/ 24" HOLE, w/ConBlock-CDA Red F/G - 36" | 2251 lb |
| P2) 48" - MH RISER w/ConBlock-CDA Red T/G - 24" | 1677 lb |
| P1) 48" - MH BASE w/ConBlock-CDA Red T/n - 30" | 3330 lb |
| 1) 48" - MH INVERT CHANNEL w/ConBlock-CDA Red - FULL HEIGHT | 1440 lb |
| 1) ADMIXTURE CONBLOCK CDA RED | 0 lb |
| 1) JOINT WRAP - 0.065"x6"x50' CONSEAL CS212 | 0 lb |
| 1) JOINT WRAP PRIMER - CONSEAL CS-75 (1 gal.) | 0 lb |
| 1) CASTING - JBS 1155 F/C SANITARY | 250 lb |
| 2) 48" - Conseal CS-102 1.00" (Double) | 0 lb |
| 2) PSX - 12-08 NYLO | 16 lb |
| 7) MH Step ML-10-TDS-NCR - 10" | 0 lb |
| Structure Total: | 9234 lb |

Structure Notes:
 1. PER ASTM C-478 SPECIFICATIONS
 2. CONCRETE: 4,000 PSI AT 28 DAYS
 3. REINFORCEMENT: PER ASTM A615
 4. CONBLOCK CDA RED ADMIXTURE REQUIRED
 5. STEPS REQUIRED
 6. JBS 1155 FRAME & COVER "SANITARY" SUPPLIED BY ICAST



48" - ECC CONE w/ 24" HOLE, w/ConBlock-CDA Red F/G - 36" - (P3)



Coating (Int):
 Coating (Ext):

Seam Up: Flat
 Seam Dn: Groove

Wall Thickness: 5"

Height (Ext): 36"

Weight (Net): 2251 lb
 Volume (Net): 0.57cu.yd