

**Job Name: 26-1191 - Red River Ridge Ph 4 Sanitary**  
**Job Location: Clarksville, TN**  
**Contractor: Byard Construction, LLC**

PC: A. Chambers  
 TECH: J. Horsley  
 Plant: 100



Structure ID: **MH 1-3-14 SS-MH**

Spec: Sanitary  
 Type: SAN.MH w/ConBlock-CDA Red  
 Size: 48"

Rim: 469.4'  
 Invert: 463.54'  
 Rim to Invert: 5.86'

Sump: 2"  
 Floor (Top): 463.373'  
 Floor Height: 6"

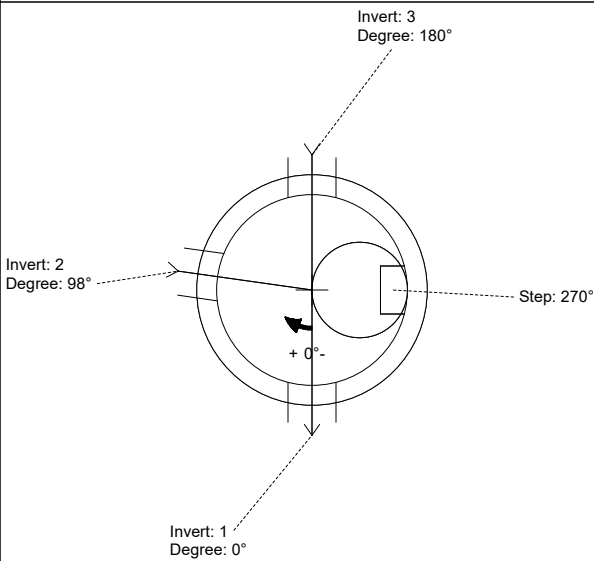
Floor (Bot): 462.873'  
 Overall Height: 6.5'  
 Slack: 0.32"

**Structure Notes:**

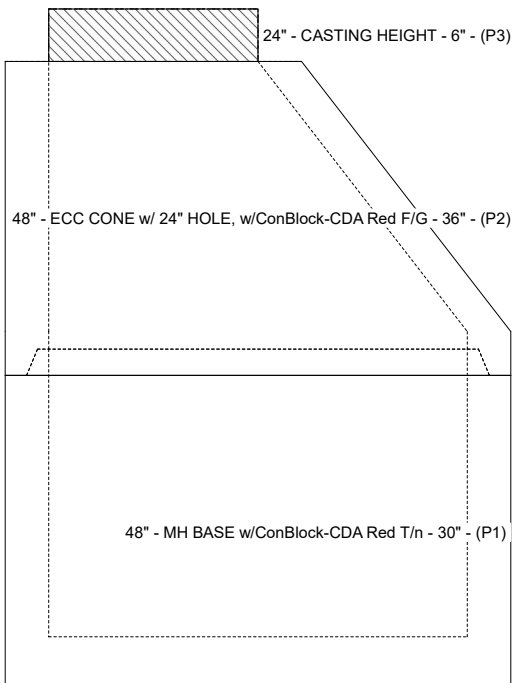
1. PER ASTM C-478 SPECIFICATIONS
2. CONCRETE: 4,000 PSI AT 28 DAYS
3. REINFORCEMENT: PER ASTM A615
4. INVERT CHANNEL REQUIRED
5. CONBLOCK CDA RED ADMIXTURE REQUIRED
6. STEPS AT 270 DEGREES
7. JBS 1155 FRAME & COVER "SANITARY" SUPPLIED BY ICAST

**STRUCTURE SUMMARY:**

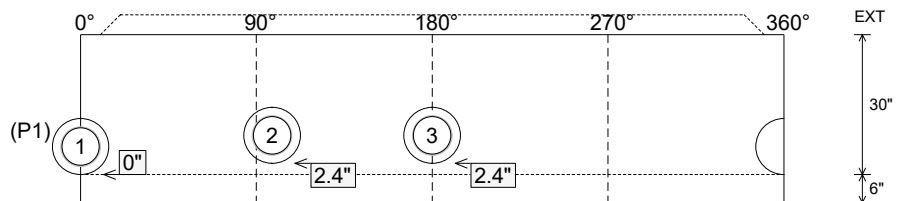
- P3) 24" - CASTING HEIGHT - 6" 0 lb
  - P2) 48" - ECC CONE w/ 24" HOLE, w/ConBlock-CDA Red F/G - 36" 2251 lb
  - P1) 48" - MH BASE w/ConBlock-CDA Red T/n - 30" 3282 lb
  - 1) 48" - MH INVERT CHANNEL w/ConBlock-CDA Red - FULL HEIGHT 1440 lb
  - 1) ADMIXTURE CONBLOCK CDA RED 0 lb
  - 1) JOINT WRAP - 0.065"x6"x50' CONSEAL CS212 0 lb
  - 1) JOINT WRAP PRIMER - CONSEAL CS-75 (1 gal.) 0 lb
  - 1) CASTING - JBS 1155 F/C SANITARY 250 lb
  - 1) 48" - Conseal CS-102 1.00" (Double) 0 lb
  - 3) PSX - 12-08 NYLO 24 lb
  - 5) MH Step ML-10-TDS-NCR - 10" 0 lb
- Structure Total: 7247 lb**



| Position | Elev    | Angle | Pipe         | Pipe OD | Hole | Connector      | Up (L) | Ref |
|----------|---------|-------|--------------|---------|------|----------------|--------|-----|
| Rim      | 469.4'  |       |              |         |      |                |        |     |
| Reducer  |         |       |              |         |      |                |        |     |
| Invert 1 | 463.54' | 0°    | 8" PVC SDR35 | 8.5"    | 12"  | PSX 12-08 NYLO | 0"     | P1  |
| Invert 2 | 463.74' | 98°   | 8" PVC SDR35 | 8.5"    | 12"  | PSX 12-08 NYLO | 2.4"   | P1  |
| Invert 3 | 463.74' | 180°  | 8" PVC SDR35 | 8.5"    | 12"  | PSX 12-08 NYLO | 2.4"   | P1  |
| Invert 4 |         |       |              |         |      |                |        |     |
| Invert 5 |         |       |              |         |      |                |        |     |
| Invert 6 |         |       |              |         |      |                |        |     |
| Invert 7 |         |       |              |         |      |                |        |     |
| Invert 8 |         |       |              |         |      |                |        |     |



**Cast (Int. Dim.) - Interior Dimensions**



Submittal Drawing  
 2/18/2026 1:29:29 PM

SUBMITTAL  
 APPROVED BY: