

Job Name: 26-1191 - Red River Ridge Ph 4 Sanitary
Job Location: Clarksville, TN
Contractor: Byard Construction, LLC

PC: A. Chambers
 TECH: J. Horsley
 Plant: 100



Structure ID: **MH 1-2-2 SS-MH**

Spec: Sanitary
 Type: SAN.MH w/ConBlock-CDA Red
 Size: 48"

Rim: 467.6'
 Invert: 462.14'
 Rim to Invert: 5.46'

Sump: 2"
 Floor (Top): 461.973'
 Floor Height: 6"

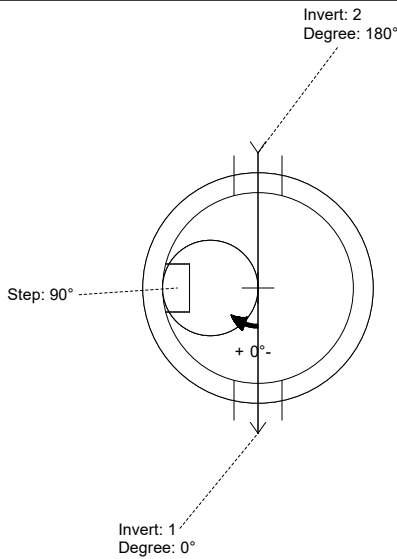
Floor (Bot): 461.473'
 Overall Height: 6'
 Slack: 1.52"

Structure Notes:

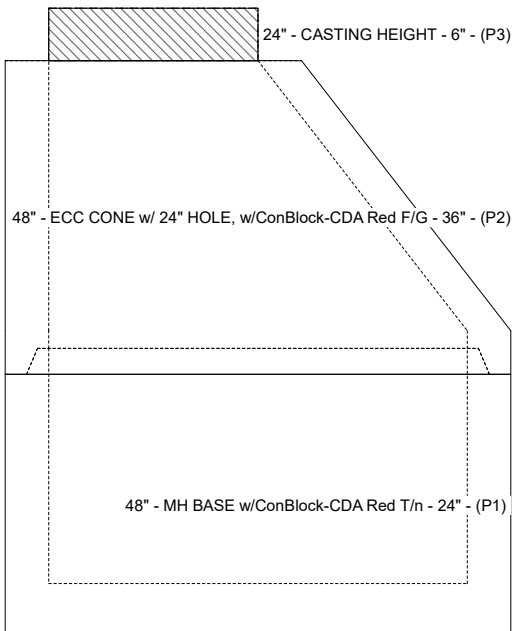
1. PER ASTM C-478 SPECIFICATIONS
2. CONCRETE: 4,000 PSI AT 28 DAYS
3. REINFORCEMENT: PER ASTM A615
4. INVERT CHANNEL REQUIRED
5. CONBLOCK CDA RED ADMIXTURE REQUIRED
6. STEPS AT 90 DEGREES
7. JBS 1155 FRAME & COVER "SANITARY" SUPPLIED BY ICAST

STRUCTURE SUMMARY:

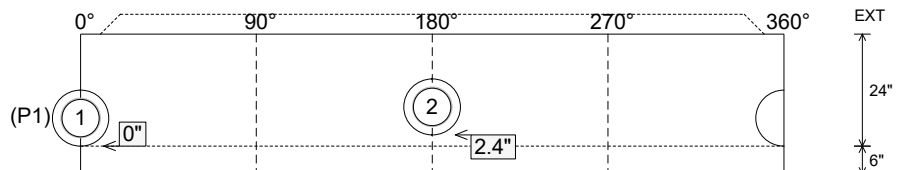
- P3) 24" - CASTING HEIGHT - 6" 0 lb
 - P2) 48" - ECC CONE w/ 24" HOLE, w/ConBlock-CDA Red F/G - 36" 2251 lb
 - P1) 48" - MH BASE w/ConBlock-CDA Red T/n - 24" 2911 lb
 - 1) 48" - MH INVERT CHANNEL w/ConBlock-CDA Red - FULL HEIGHT 1440 lb
 - 1) ADMIXTURE CONBLOCK CDA RED 0 lb
 - 1) JOINT WRAP - 0.065"x6"x50' CONSEAL CS212 0 lb
 - 1) JOINT WRAP PRIMER - CONSEAL CS-75 (1 gal.) 0 lb
 - 1) CASTING - JBS 1155 F/C SANITARY 250 lb
 - 1) 48" - Conseal CS-102 1.00" (Double) 0 lb
 - 2) PSX - 12-08 NYLO 16 lb
 - 5) MH Step ML-10-TDS-NCR - 10" 0 lb
- Structure Total: 6868 lb**



Position	Elev	Angle	Pipe	Pipe OD	Hole	Connector	Up (L)	Ref
Rim	467.6'							
Reducer								
Invert 1	462.14'	0°	8" PVC SDR35	8.5"	12"	PSX 12-08 NYLO	0"	P1
Invert 2	462.34'	180°	8" PVC SDR35	8.5"	12"	PSX 12-08 NYLO	2.4"	P1
Invert 3								
Invert 4								
Invert 5								
Invert 6								
Invert 7								
Invert 8								



Cast (Int. Dim.) - Interior Dimensions



Submittal Drawing
 2/18/2026 1:29:10 PM

SUBMITTAL
 APPROVED BY: