

Job Name: 26-1191 - Red River Ridge Ph 4 Sanitary  
 Job Location: Clarksville, TN  
 Contractor: Byard Construction, LLC

Plant: 100

Tech: J. Horsley

2/18/2026 2:52:43 PM

PC: A. Chambers



**Structure ID: MH 1-2-2 SS-MH**

**P1 MH048BA24CDARED**

**MH BASE w/ConBlock-CDA Red T/n**

- P3) 24" - CASTING HEIGHT - 6"
- P2) 48" - ECC CONE w/ 24" HOLE, w/ConBlock-CDA Red F/G - 36"
- P1) 48" - MH BASE w/ConBlock-CDA Red T/n - 24"
- 1) 48" - MH INVERT CHANNEL w/ConBlock-CDA Red - FULL HEIGHT
- 1) ADMIXTURE CONBLOCK CDA RED
- 1) JOINT WRAP - 0.065"x6"x50' CONSEAL CS212
- 1) JOINT WRAP PRIMER - CONSEAL CS-75 (1 gal.)
- 1) CASTING - JBS 1155 F/C SANITARY
- 1) 48" - Conseal CS-102 1.00" (Double)
- 2) PSX - 12-08 NYLO
- 5) MH Step ML-10-TDS-NCR - 10"

0 lb  
 2251 lb  
 2911 lb  
 1440 lb  
 0 lb  
 0 lb  
 0 lb  
 250 lb  
 0 lb  
 16 lb  
 0 lb  
 \_\_\_\_\_  
 6868 lb

- Structure Notes:
1. PER ASTM C-478 SPECIFICATIONS
  2. CONCRETE: 4,000 PSI AT 28 DAYS
  3. REINFORCEMENT: PER ASTM A615
  4. INVERT CHANNEL REQUIRED
  5. CONBLOCK CDA RED ADMIXTURE REQUIRED
  6. STEPS AT 90 DEGREES
  7. JBS 1155 FRAME & COVER "SANITARY" SUPPLIED BY ICAST

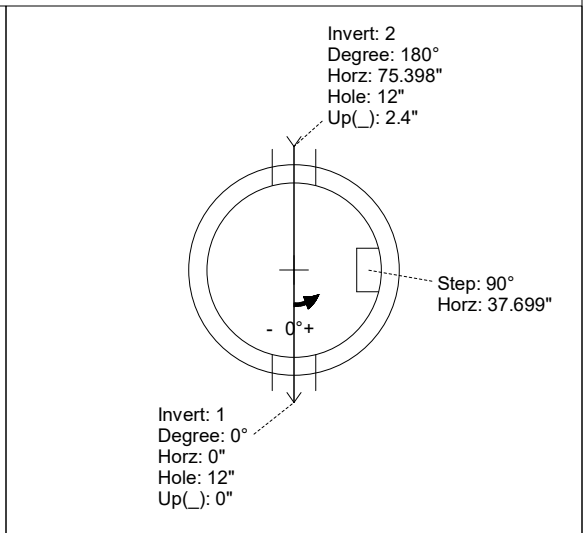
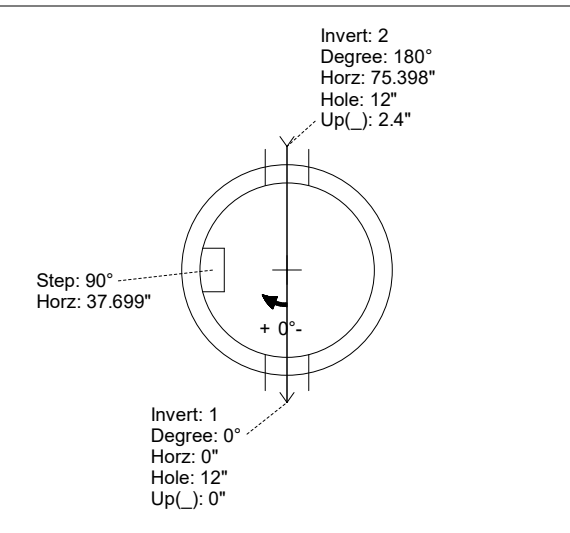
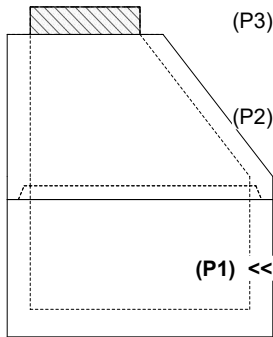
Structure Total: 6868 lb

Rim: 467.6' Rim to Invert: 5.46' Slack: 1.52" Sump: 2" Step Position: 90°

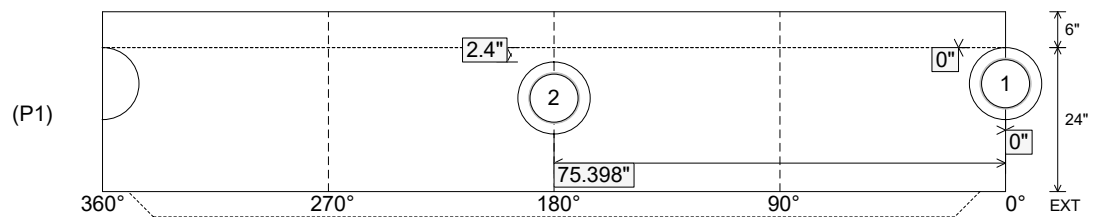
Position	Elev	Angle	Ext. (cw)	Pipe	Pipe OD	Connector	Hole	Horz Size	Up ( )	Offset
Invert 1	462.14'	0°	0"	8" PVC SDR35	8.5"	PSX 12-08 NYLO	12"	12.129"	0"	0"
Invert 2	462.34'	180°	91.106"	8" PVC SDR35	8.5"	PSX 12-08 NYLO	12"	12.129"	2.4"	0"
Invert 3										
Invert 4										
Invert 5										
Invert 6										
Invert 7										
Invert 8										

RIGHT-SIDE UP VIEW (int. dimensions)

UPSIDE-DOWN VIEW (int. dimensions)



INSIDE WALL DIMENSIONS



Coating (Int):  
 Coating (Ext):

Seam Up: Tongue  
 Seam Dn: n/a

Wall Thickness: 5"  
 Floor Height: 6"

Height (Int): 24"  
 Height (Ext): 30"

Weight (Net): 2911 lb  
 Volume (Net): 0.74cu.yd

**Structure ID: MH 1-2-2 SS-MH**

**P1 MH048BA24CDARED**

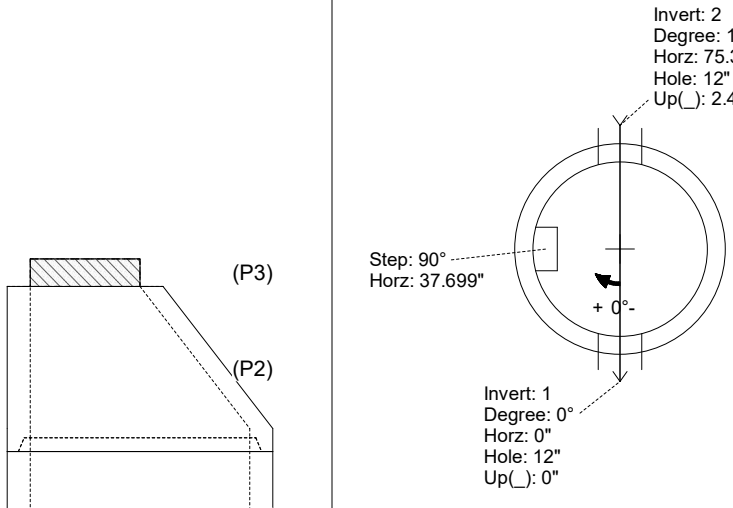
**MH BASE w/ConBlock-CDA Red T/n**

- |  |   |   |
|--|---|---|
| P3) 24" - CASTING HEIGHT - 6"<br>P2) 48" - ECC CONE w/ 24" HOLE, w/ConBlock-CDA Red F/G - 36"<br>P1) 48" - MH BASE w/ConBlock-CDA Red T/n - 24"<br>1) 48" - MH INVERT CHANNEL w/ConBlock-CDA Red - FULL HEIGHT<br>1) ADMIXTURE CONBLOCK CDA RED<br>1) JOINT WRAP - 0.065"x6"x50' CONSEAL CS212<br>1) JOINT WRAP PRIMER - CONSEAL CS-75 (1 gal.)<br>1) CASTING - JBS 1155 F/C SANITARY<br>1) 48" - Conseal CS-102 1.00" (Double)<br>2) PSX - 12-08 NYLO<br>5) MH Step ML-10-TDS-NCR - 10" | 0 lb<br>2251 lb<br>2911 lb<br>1440 lb<br>0 lb<br>0 lb<br>0 lb<br>250 lb<br>0 lb<br>16 lb<br>0 lb<br>-----<br>Structure Total: 6868 lb | <b>Structure Notes:</b><br>1. PER ASTM C-478 SPECIFICATIONS<br>2. CONCRETE: 4,000 PSI AT 28 DAYS<br>3. REINFORCEMENT: PER ASTM A615<br>4. INVERT CHANNEL REQUIRED<br>5. CONBLOCK CDA RED ADMIXTURE REQUIRED<br>6. STEPS AT 90 DEGREES<br>7. JBS 1155 FRAME & COVER "SANITARY" SUPPLIED BY ICAST |
|--|---|---|

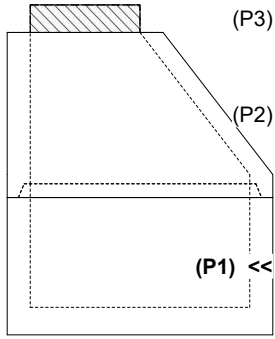
Rim: 467.6'    Rim to Invert: 5.46'    Slack: 1.52"    Sump: 2"    Step Position: 90°

Position	Elev	Angle	Ext. (cw)	Pipe	Pipe OD	Connector	Hole	Horz Size	Up ( )	Offset
Invert 1	462.14'	0°	0"	8" PVC SDR35	8.5"	PSX 12-08 NYLO	12"	12.129"	0"	0"
Invert 2	462.34'	180°	91.106"	8" PVC SDR35	8.5"	PSX 12-08 NYLO	12"	12.129"	2.4"	0"
Invert 3										
Invert 4										
Invert 5										
Invert 6										
Invert 7										
Invert 8										

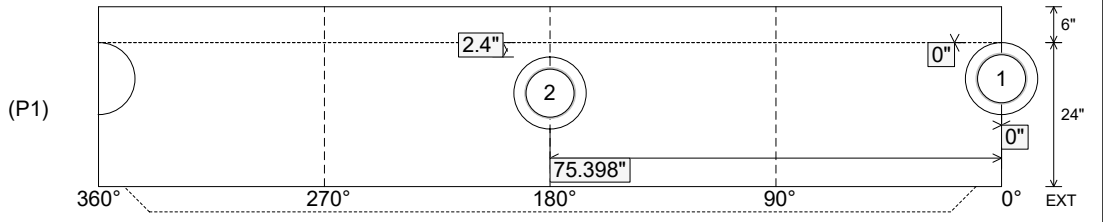
**RIGHT-SIDE UP VIEW (int. dimensions)      UPSIDE-DOWN VIEW (int. dimensions)**



**INVERT CHANNEL DRAWING**



**INSIDE WALL DIMENSIONS**



Coating (Int): Coating (Ext):	Seam Up: Tongue Seam Dn: n/a	Wall Thickness: 5" Floor Height: 6"	Height (Int): 24" Height (Ext): 30"	Weight (Net): 2911 lb Volume (Net): 0.74cu.yd
----------------------------------	---------------------------------	--	--	--