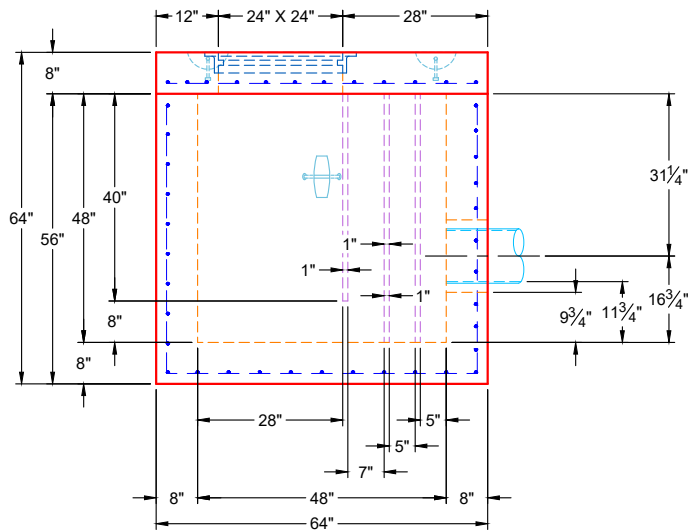
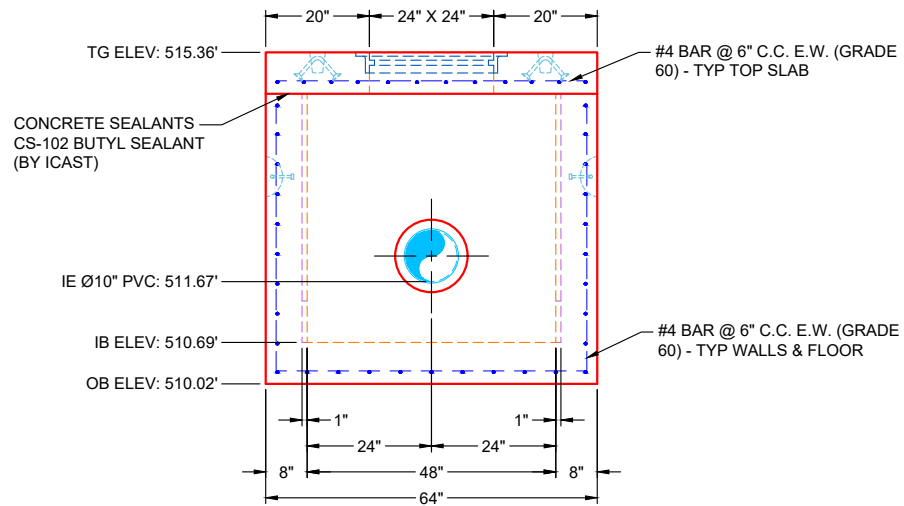


**PLAN VIEW**



**VIEW A**



**VIEW B**

**GENERAL NOTES:**

1. MANUFACTURED PER ASTM C-913 (LATEST REVISION)
2. CONCRETE: 4,500 PSI AT 28 DAYS
3. REINFORCEMENT:
  - TOP SLAB: #4 BAR @ 6" C.C. E.W. (GRADE 60)
  - BASE: #4 BAR @ 6" C.C. E.W. (GRADE 60)
4. JOINT SEALED WITH CONCRETE SEALANTS CS-102 - MEETS ASTM C-990 SPECIFICATIONS (SUPPLIED BY ICAST)
5. HOE 280T FRAME & GRATE SUPPLIED BY ICAST - FRAME TO BE CAST INTO TOP SLAB FLANGE SIDE UP
6. WEIGHTS:
  - 8" TOP SLAB: 2,560 LBS
  - 48" BASE: 9,855 LBS
7. 1 EA. 3/4" HDPE WEIR & 2 EA. 3/4" HDPE BAFFLES SUPPLIED BY OTHERS
8. SPECIAL PRE-ASSEMBLY OF INTERNALS BY ICAST

**REVISION INFORMATION**

REV. DATE: NO REVISIONS TO DATE



SUBMITTAL DRAWING: 48" X 48" PRETX DROP INLET

CUSTOMER: CONVERGENT WATER TECHNOLOGIES

PROJECT: HOPE HOUSE PRETX

STRUCTURE: PRETX CB-1-1 ST-CB

QUOTE/SALES ORDER NO: 26-1190

CHECKED BY: B. SMITH

DRAWN BY: K. CARDWELL

DATE: 01/30/26

SCALE: NTS

PG. 1 OF 1