

Job Name: 26-1188 Vine Grove Asphalt Plant
Job Location: Vine Grove, KY
Contractor: Scotty's Contracting & Stone, LLC

PC: C. Goff
 TECH: S. Felletter
 Plant: Beaver Dam



Structure ID: **2 ST-CB**
 Spec: Storm
 Type: BX 8inW, 8inF
 Size: 24" x 24"

Rim: 728.32'
 Invert: 725.32'
 Rim to Invert: 3'

Sump: 0"
 Floor (Top): 725.32'
 Floor Height: 8"

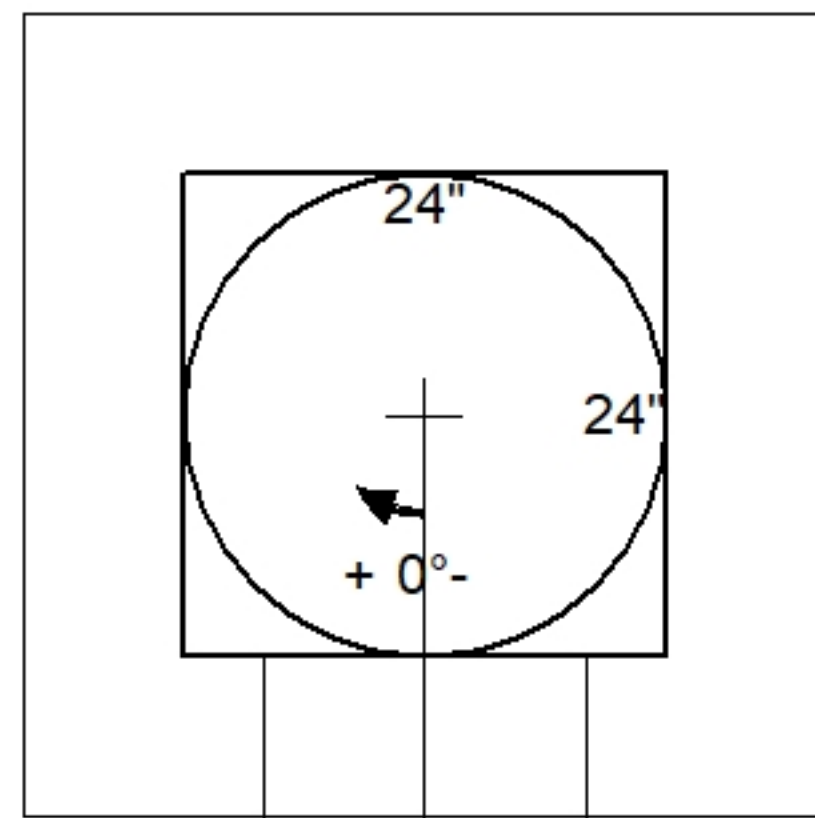
Floor (Bot): 724.653'
 Overall Height: 3.667'
 Slack: 0"

Structure Notes:

- PER ASTM C913 SPECIFICATIONS.
 - CONCRETE = 4,000 PSI AT 28 DAYS.
 - NO INVERT CHANNEL.
 - CASTING HOE MCS-295-B BY ICAST, CAST-IN.
- REINFORCING PER ASTM A615 (GRADE 60).
 - TOP SLAB (As .62) #5 BARS AT 3" C.C.E.W.
 - WALLS (As .12) #5 BARS AT 12" C.C.E.W.
 - FLOOR (As .12) #5 BARS AT 12" C.C.E.W.

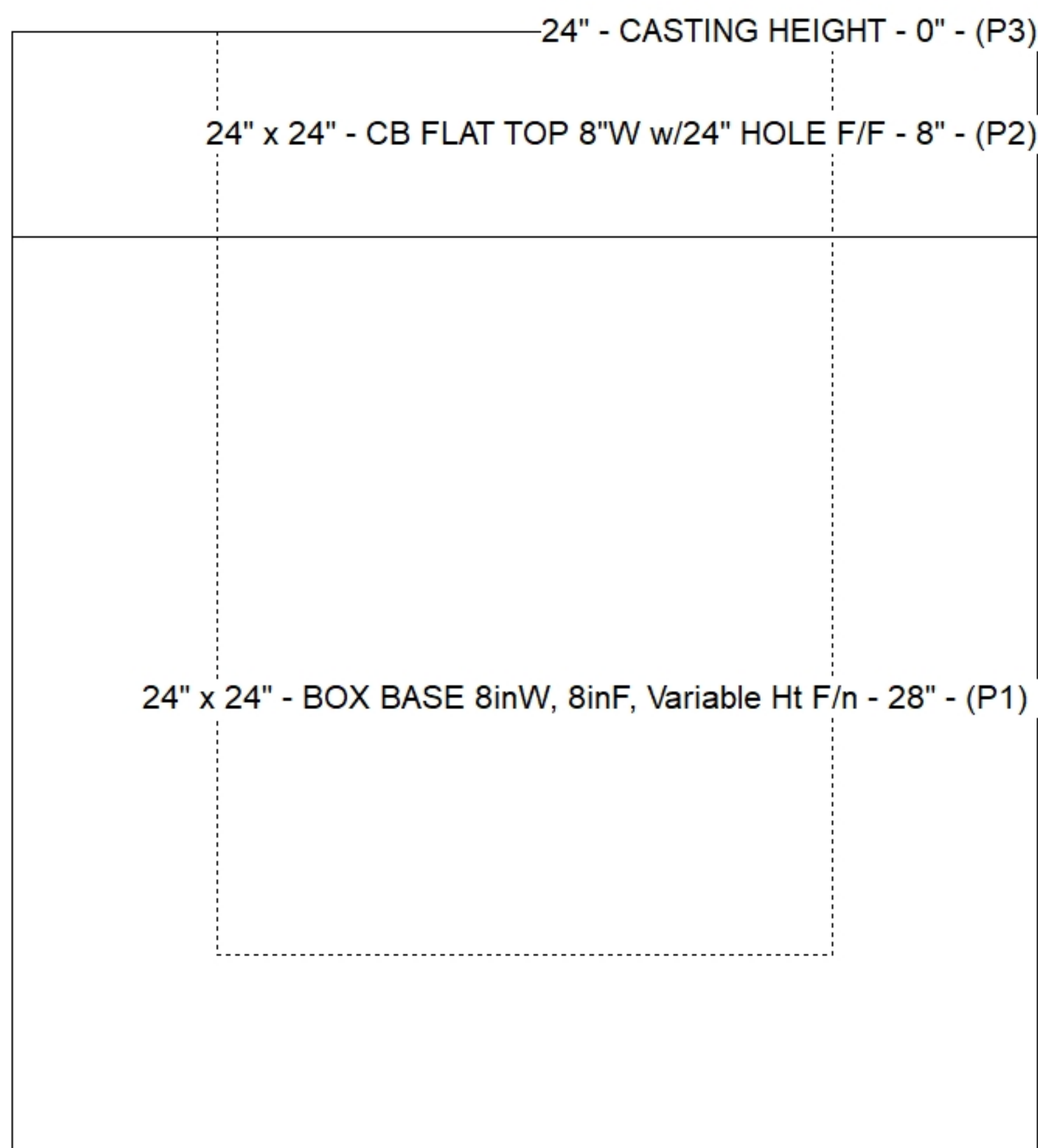
STRUCTURE SUMMARY:

P3) 24" - CASTING HEIGHT - 0"	0 lb
P2) 24" x 24" - CB FLAT TOP 8"W w/24" HOLE F/F - 8"	770 lb
P1) 24" x 24" - BOX BASE 8inW, 8inF, Variable Ht F/n - 28"	3345 lb
1) This Structure Includes a Cast-in Item	0 lb
1) 24" x 24" - Conseal CS-102 1.00"	0 lb
1) Hole - 16	0 lb
Structure Total:	4115 lb

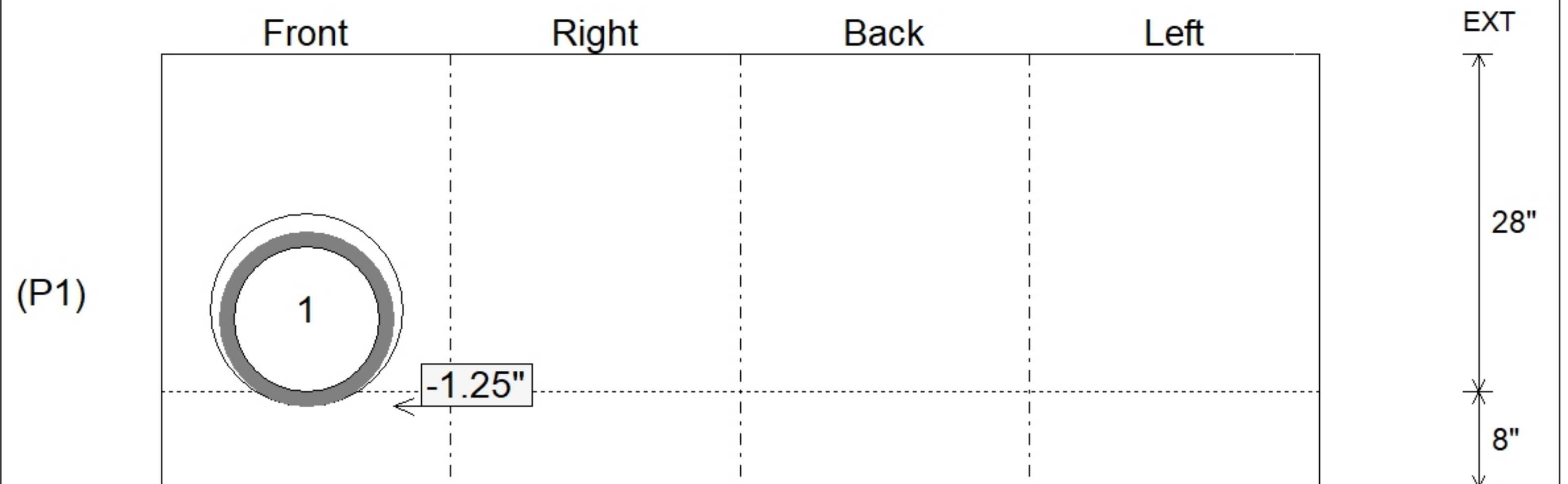


Invert: 1
 Degree: 0°

Position	Elev	Angle	Pipe	Pipe OD	Hole	Connector	Up ()	Ref
Rim	728.32'							
Reducer								
Invert 1	725.32'	0°	12" HDPE	14.5"	16"	Hole 16	-1.25"	P1
Invert 2								
Invert 3								
Invert 4								
Invert 5								
Invert 6								
Invert 7								
Invert 8								



Default - Interior Dimensions



Submittal Drawing
 2/5/2026 2:41:36 PM

SUBMITTAL
 APPROVED BY: