

Job Name: 26-1186 852698 Venue East Cincinnati
Job Location: Fairfield, OH
Contractor: Contech Engineering Solutions

PC: T. Sekula
 TECH: S. Felletter
 Plant: Beaver Dam



Structure ID: 25-CS-12

Spec: Storm-Pipe Centered
 Type: STM.MH
 Size: 144"

Rim: 482.63'
 Invert: 474.62'
 Rim to Invert: 8.01'

Sump: 108"
 Floor (Top): 465.62'
 Floor Height: 14"

Floor (Bot): 464.453'
 Overall Height: 18'
 Slack: 2.12"

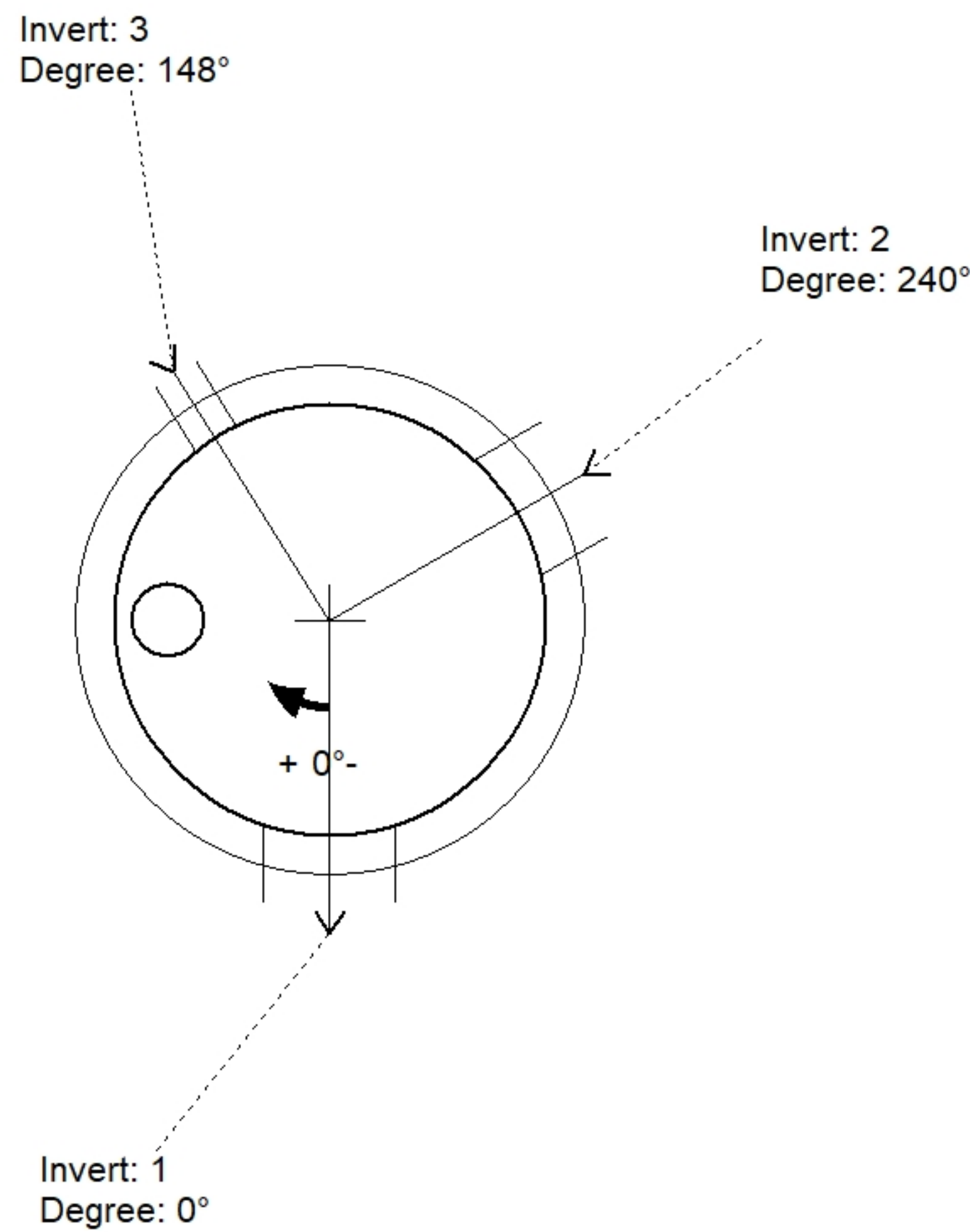
Structure Notes:
 4" CASTING BY OTHERS

ICAST TO INSTALL THE INTERNAL BRACKETS,
 INTERNAL COMPONENTS TO BE INSTALLED ON
 SITE BY CONTECH FIELD CONSULTANT

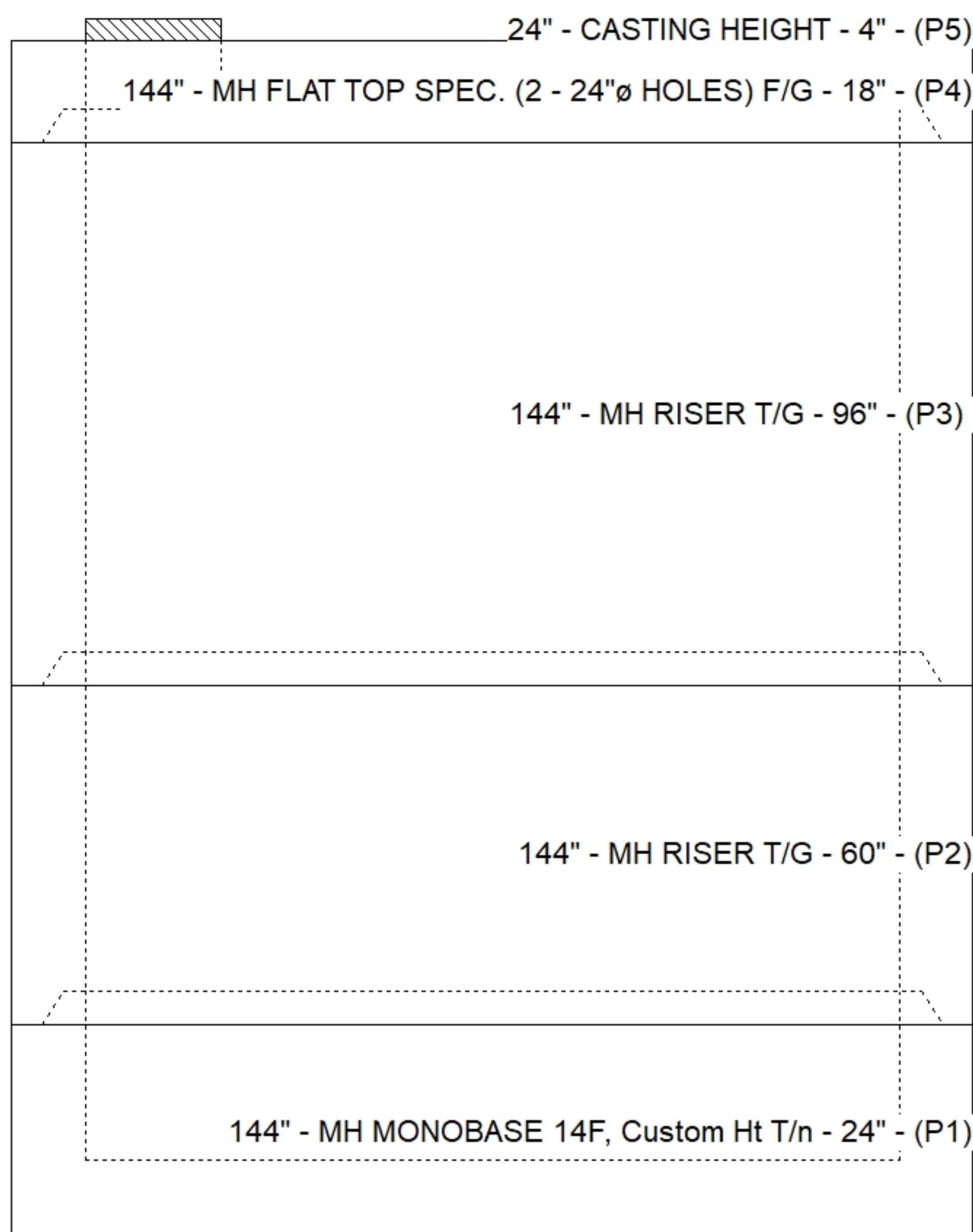
CONTECH'S LOGO AS WELL AS THE
 INLETS AND OUTLET MUST BE
 STENCILED ONTO THE STRUCTURE

STRUCTURE SUMMARY:

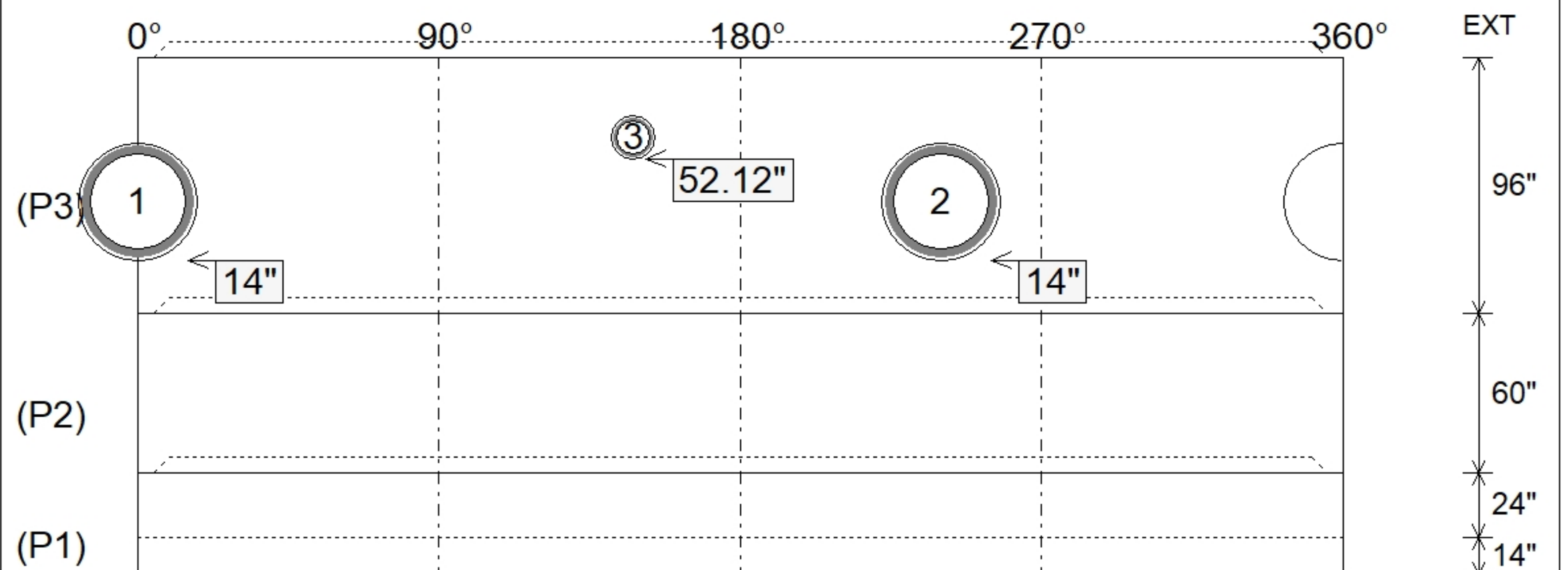
P5) 24" - CASTING HEIGHT - 4"	0 lb
P4) 144" - MH FLAT TOP SPEC. (2 - 24"Ø HOLES) F/G - 18"	23623 lb
P3) 144" - MH RISER T/G - 96"	48069 lb
P2) 144" - MH RISER T/G - 60"	32283 lb
P1) 144" - MH MONOBASE 14F, Custom Ht T/n - 24"	39578 lb
1) CVSTENCILING	0 lb
1) ASSEMBLY REQUIRED - INSTALL BRACKETS	0 lb
3) 144" - Conseal CS-102 1.00"	0 lb
2) Hole - 44	0 lb
1) Hole - 16	0 lb
Structure Total:	143553 lb



Position	Elev	Angle	Pipe	Pipe OD	Hole	Connector	Up (")	Ref
Rim	482.63'							
Reducer								
Invert 1	474.62'	0°	36" HDPE	41.7"	44"	Hole 44	14"	P3
Invert 2	474.62'	240°	36" HDPE	41.7"	44"	Hole 44	14"	P3
Invert 3	477.63'	148°	12" HDPE	14.5"	16"	Hole 16	52.12"	P3
Invert 4								
Invert 5								
Invert 6								
Invert 7								
Invert 8								



Default - Interior Dimensions



Submittal Drawing
 2/17/2026 2:37:56 PM

SUBMITTAL
 APPROVED BY: