

**Structure ID: 25-CS-12**

**P3 MH144RS96**

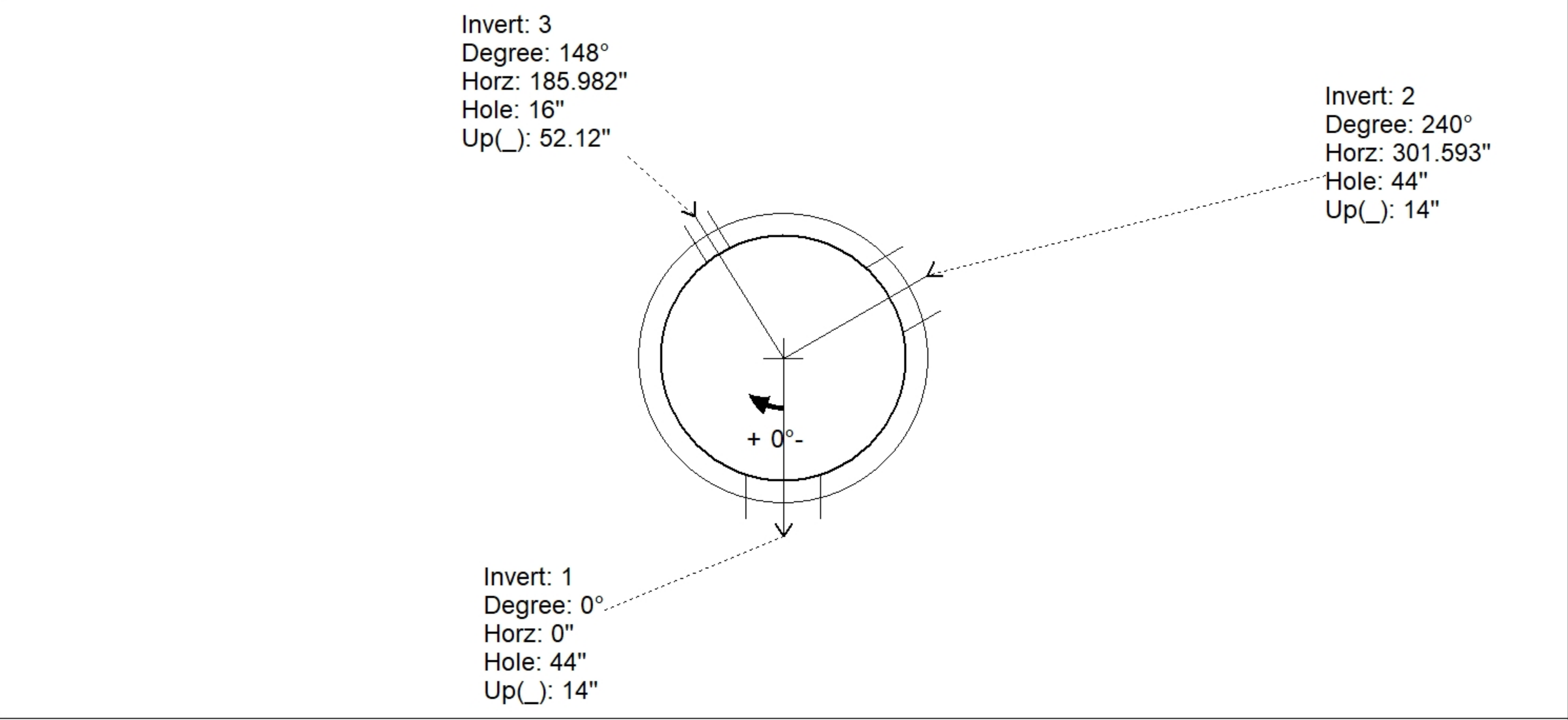
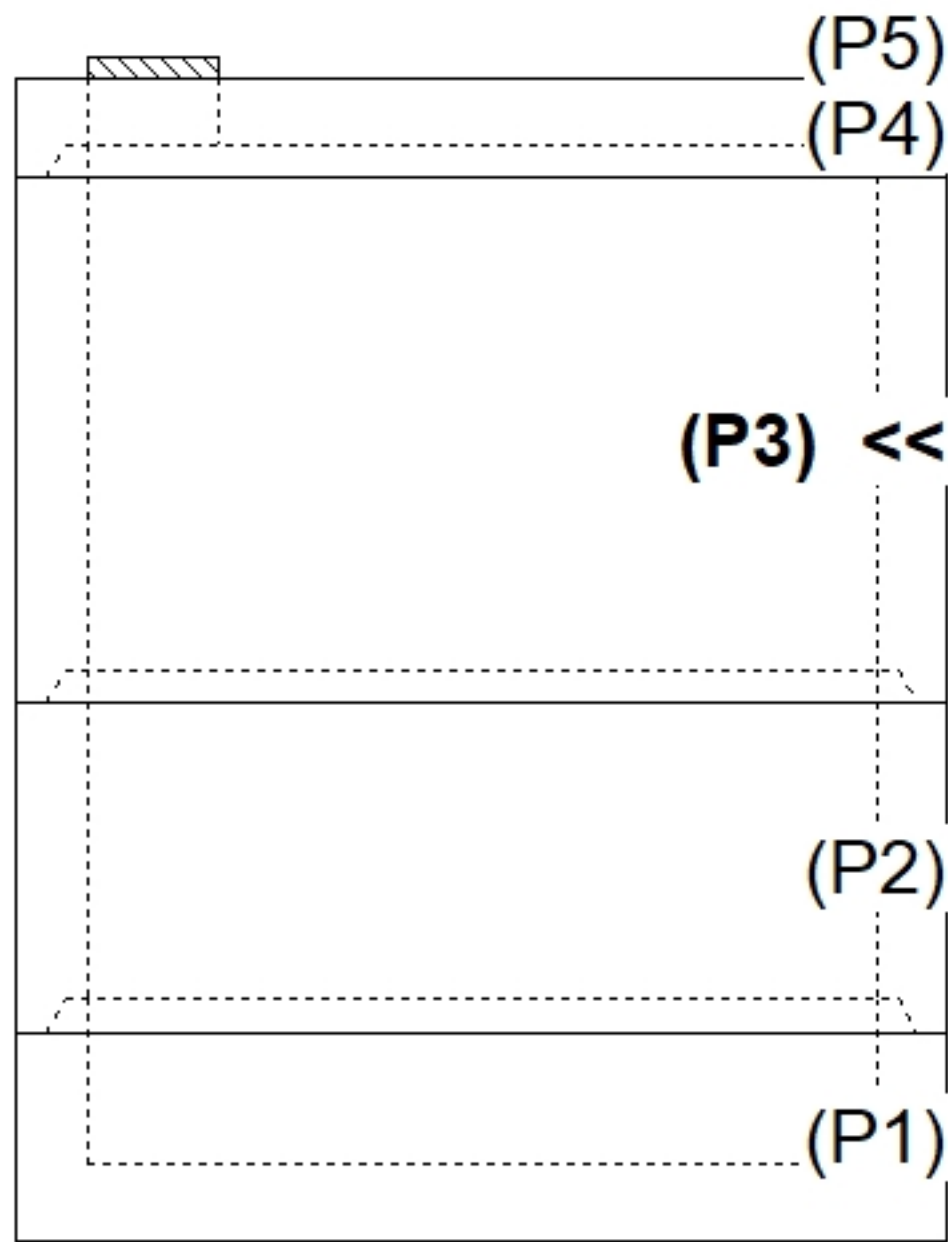
**MH RISER T/G**

P5) 24" - CASTING HEIGHT - 4" P4) 144" - MH FLAT TOP SPEC. (2 - 24"Ø HOLES) F/G - 18" P3) 144" - MH RISER T/G - 96" P2) 144" - MH RISER T/G - 60" P1) 144" - MH MONOBASE 14F, Custom Ht T/n - 24" 1) CVSTENCILING 1) ASSEMBLY REQUIRED - INSTALL BRACKETS 3) 144" - Conseal CS-102 1.00" 2) Hole - 44 1) Hole - 16	0 lb 23623 lb 48069 lb 32283 lb 39578 lb 0 lb 0 lb 0 lb 0 lb 0 lb 0 lb ----- Structure Total:	<b>Structure Notes:</b> 4" CASTING BY OTHERS  ICAST TO INSTALL THE INTERNAL BRACKETS, INTERNAL COMPONENTS TO BE INSTALLED ON SITE BY CONTECH FIELD CONSULTANT  CONTECH'S LOGO AS WELL AS THE INLETS AND OUTLET MUST BE STENCILED ONTO THE STRUCTURE
---	---	--

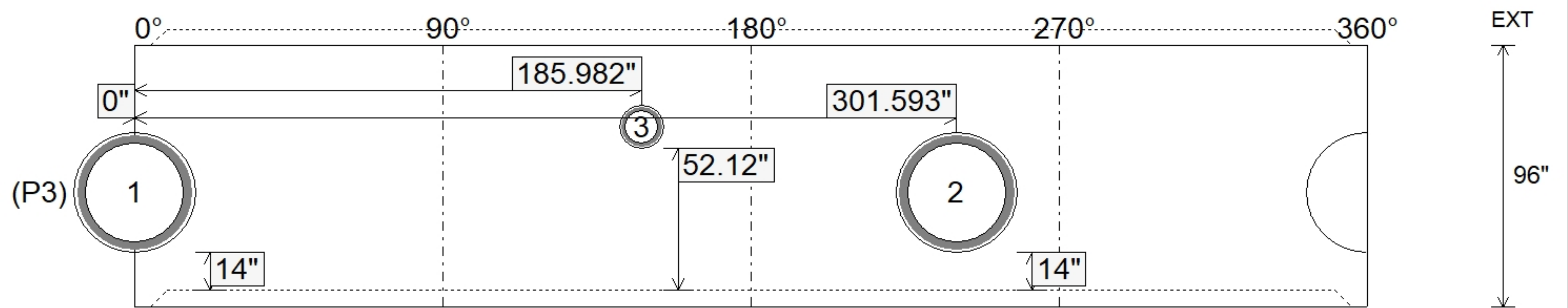
Rim: 482.63'    Rim to Invert: 8.01'    Slack: 2.12"    Sump: 108"    Step Position:

Position	Elev	Angle	Ext. (cw)	Pipe	Pipe OD	Connector	Hole	Horz Size	Up ( )	Offset
Invert 1	474.62'	0°	0"	36" HDPE	41.7"	Hole 44	44"	44.715"	14"	0"
Invert 2	474.62'	240°	356.047"	36" HDPE	41.7"	Hole 44	44"	44.715"	14"	0"
Invert 3	477.63'	148°	219.562"	12" HDPE	14.5"	Hole 16	16"	16.033"	52.12"	0"
Invert 4										
Invert 5										
Invert 6										
Invert 7										
Invert 8										

**RIGHT-SIDE UP VIEW (int. dimensions)**



**INSIDE WALL DIMENSIONS**



Coating (Int):	Seam Up: Tongue Seam Dn: Groove	Wall Thickness: 13" Floor Height: 0"	Height (Int): 96" Height (Ext): 96"
Coating (Ext):			Weight (Net): 48069 lb Volume (Net): 12.28cu.yd