

Job Name: 26-1183 - Danco Regional Facility  
 Job Location: Owensboro, KY  
 Contractor: Danco Construction, Inc.

Plant: 100  
 3/12/2026 6:45:16 PM

Tech: Jared - F  
 PC: T. Lewis



**Structure ID: AD 105**

**P1 BX3030-06VH**

**BOX BASE 6inW, 6inF, Variable Ht F/n**

- P2) 30" x 30" - CASTING HEIGHT - 4"
- P1) 30" x 30" - BOX BASE 6inW, 6inF, Variable Ht F/n - 49"
- 1) CASTING - HOE 468 F/G
- 1) 30" x 30" - Conseal CS-102 1.00"
- 2) Hole - 30
- 1) Hole - 5

0 lb  
 3897 lb  
 489 lb  
 0 lb  
 0 lb  
 0 lb  
 -----  
 Structure Total: 4386 lb

Structure Notes:

1. PER ASTM C913 SPECIFICATIONS.
2. CONCRETE = 4,000 PSI AT 28 DAYS.
3. NO STEPS AND NO INVERT CHANNEL.
4. CASTING BY ICAST (HOE 468 F/G)

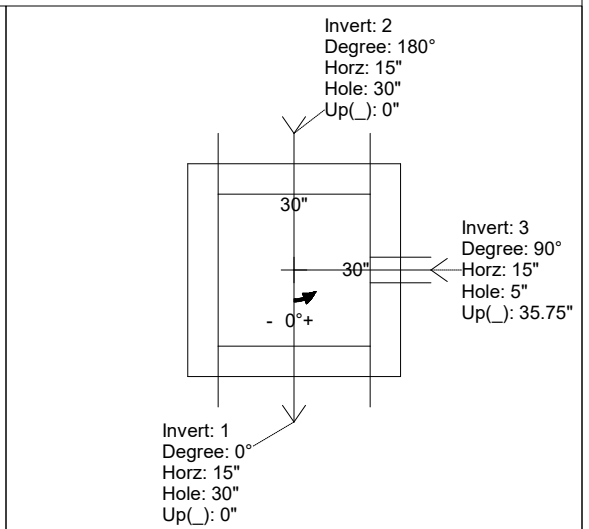
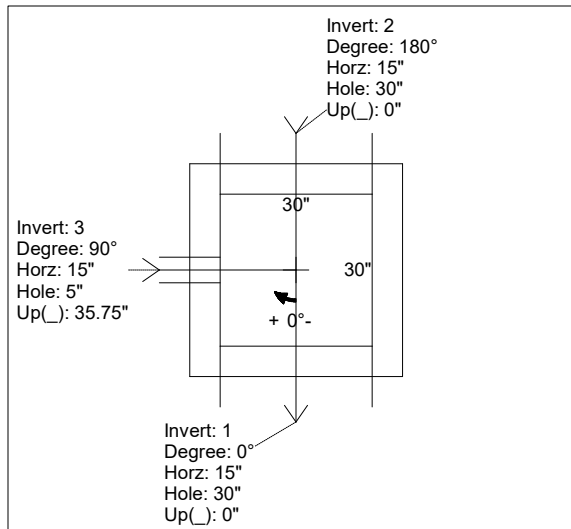
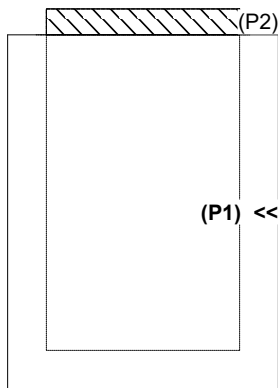
REINFORCING PER ASTM A615 (GRADE 60).  
 - WALLS (As .12) #5 BARS AT 12" C.C.E.W.  
 - FLOOR (As .12) #5 BARS AT 12" C.C.E.W.

Rim: 395' Rim to Invert: 4.33' Slack: 0.835" Sump: 1.875" Step Position:

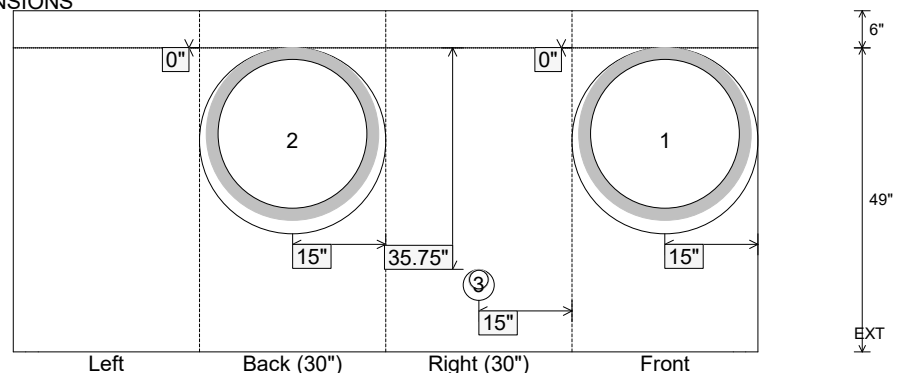
Position	Elev	Angle	Ext. (cw)	Pipe	Pipe OD	Connector	Hole	Horz Size	Up ( )	Offset
Invert 1	390.67'	0°	21"	24" HDPE	27.8"	Hole 30	30"	30"	0"	0"
Invert 2	390.67'	180°	21"	24" HDPE	27.8"	Hole 30	30"	30"	0"	0"
Invert 3	393.5'	90°	21"	3" PVC SDR35	3.25"	Hole 5	5"	5"	35.75"	0"
Invert 4										
Invert 5										
Invert 6										
Invert 7										
Invert 8										

RIGHT-SIDE UP VIEW (int. dimensions)

UPSIDE-DOWN VIEW (int. dimensions)



INSIDE WALL DIMENSIONS



Coating (Int):  
 Coating (Ext):

Seam Up: Flat  
 Seam Dn: n/a

Wall Thickness: 6"  
 Floor Height: 6"

Height (Int): 49"  
 Height (Ext): 55"

Weight (Net): 3897 lb  
 Volume (Net): 1cu.yd