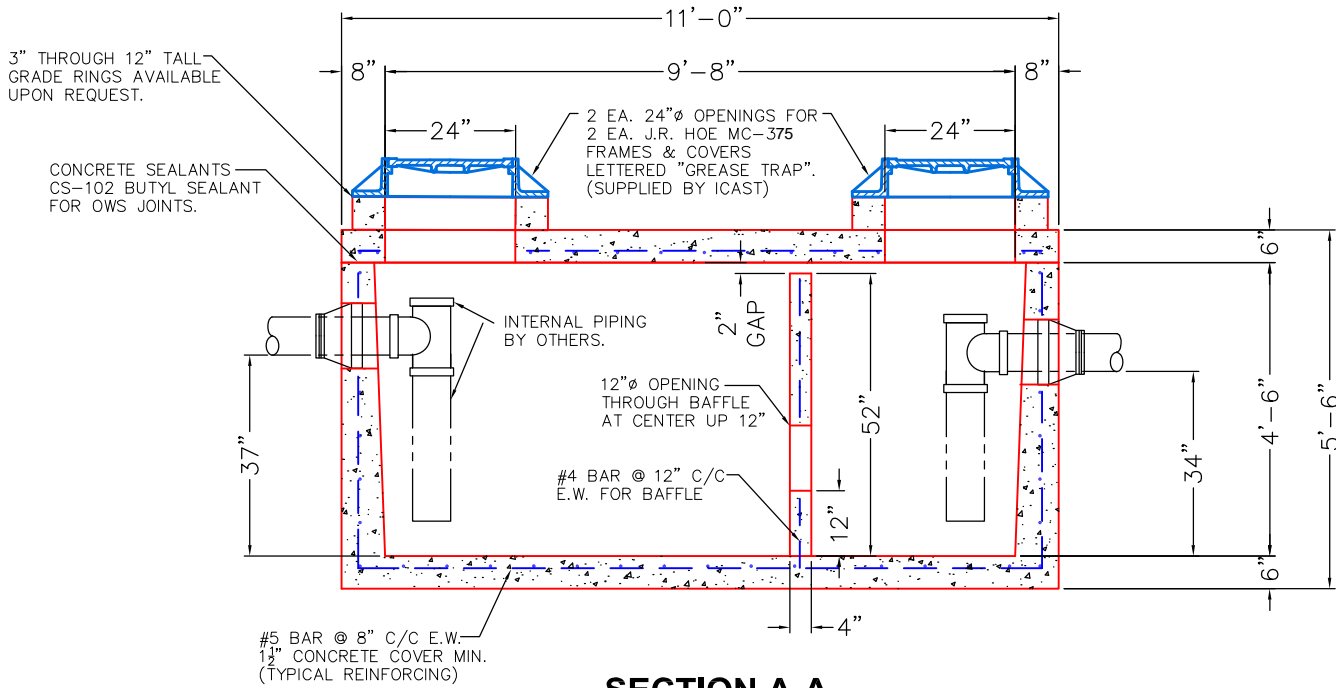


**PLAN VIEW**



**SECTION A-A**

**STRUCTURE NOTES:**

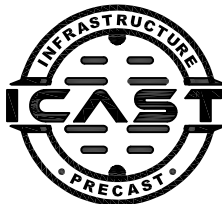
1. MANUFACTURED PER ASTM C-890-13 LATEST REVISION. (TRAFFIC RATED H-20 LOADING DESIGN).
2. CONCRETE = 5,000 PSI AT 28 DAYS.
3. REINFORCING PER ASTM A615 (GRADE 60).
4. SEALED PER ASTM C-990-09.
5. GRADE RINGS BY REQUEST.

**WEIGHTS:**

6" THICK TOP SLAB = 4,480 LBS.  
 60" TALL BASE W/BAFFLE = 17,735 LBS.

**REVISIONS**

REV.  $\Delta$  DATE: NO REVISIONS TO DATE



SUBMITTAL DRAWING: 10X5GT-1000-TYPICAL

CUSTOMER: ERNIE DAVIS & SONS MECHANICAL, INC.

PROJECT: KYROCK ELEMENTARY GREASE TRAP

STRUCTURE: 1000 GAL. GREASE TRAP (TYPICAL)

QUOTE/SALES ORDER NO: 26-1168

PC: A. CHAMBERS

DRAWN BY: N. RICHARDS

DATE: 02/09/26

SCALE: NTS

PG. 1 of 1