

**Job Name: 26-1167 - Perkins Motor Plex**  
**Job Location: Murfreesboro, TN 37128**  
**Contractor: Bear Construction LLC**

PC: E. Bradley  
 TECH: Jared - F  
 Plant: 100



Structure ID: #4 (6)  
 Spec: Storm  
 Type: BX 6inW, 6inF  
 Size: 28" x 64"

Rim: 585.7'  
 Invert: 582.38'  
 Rim to Invert: 3.32'

Sump: 2.25"  
 Floor (Top): 582.193'  
 Floor Height: 6"

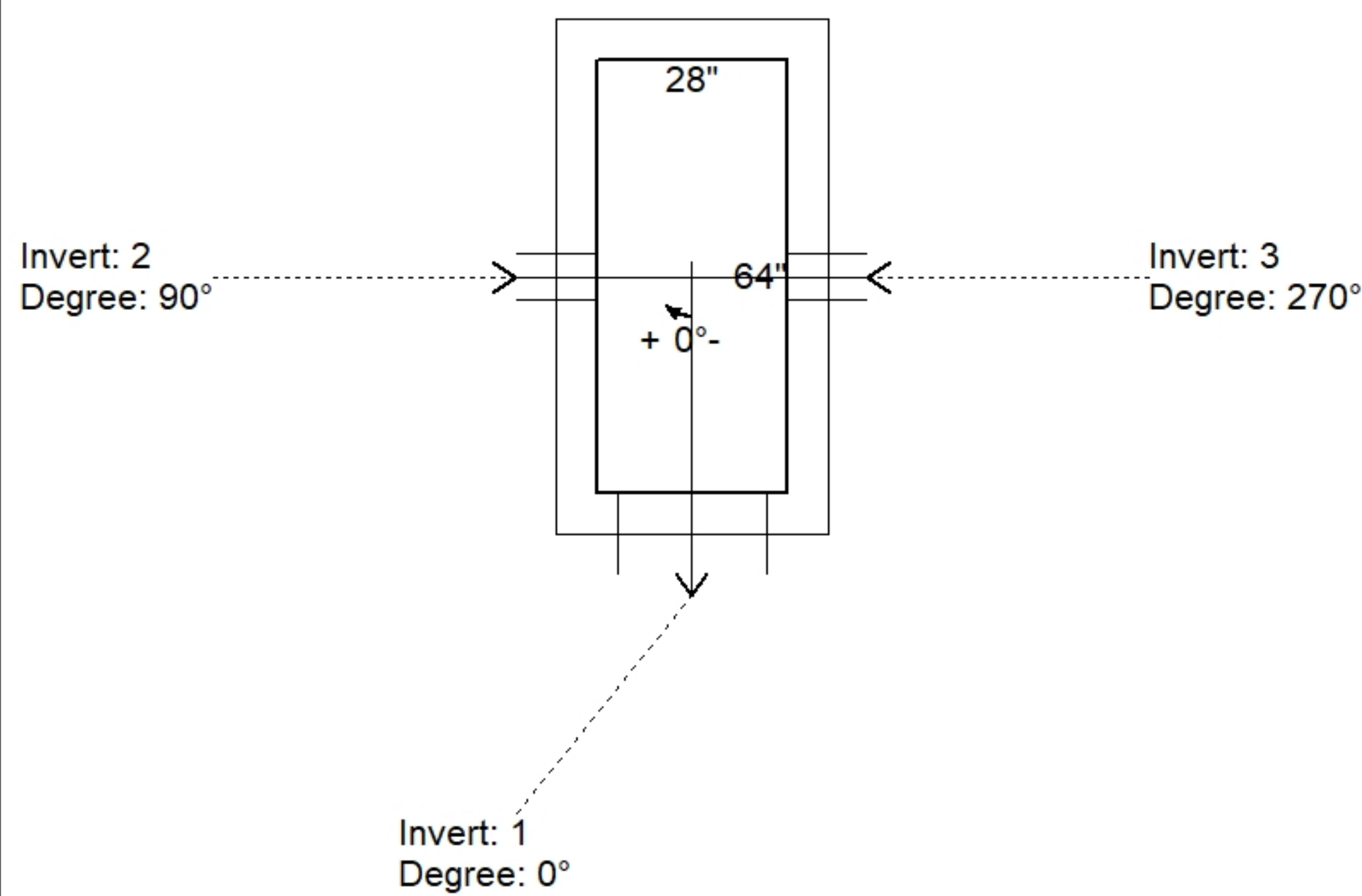
Floor (Bot): 581.693'  
 Overall Height: 4'  
 Slack: 0.09"

**Structure Notes:**  
 1. PER ASTM C913 SPECIFICATIONS.  
 2. CONCRETE = 4,000 PSI AT 28 DAYS.  
 3. NO STEPS AND NO INVERT CHANNEL.  
 4. CASTING BY ICAST (2ea.JBS 3103 SINGLE SET (F/G/H))

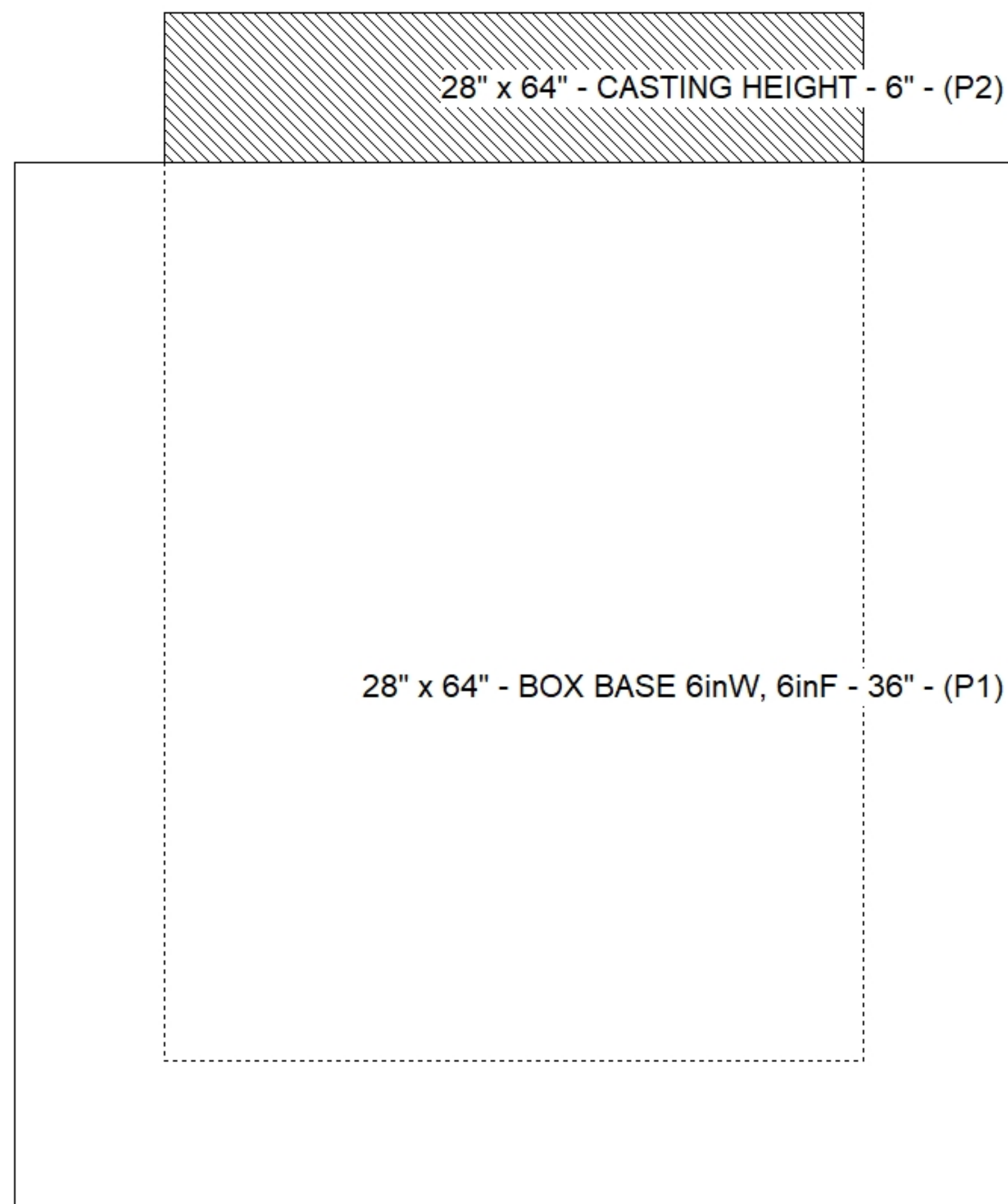
REINFORCING PER ASTM A615 (GRADE 60).  
 - WALLS (As .31) #5 BARS AT 12" C.C.E.W.  
 - FLOOR (As .31) #5 BARS AT 12" C.C.E.W.

**STRUCTURE SUMMARY:**

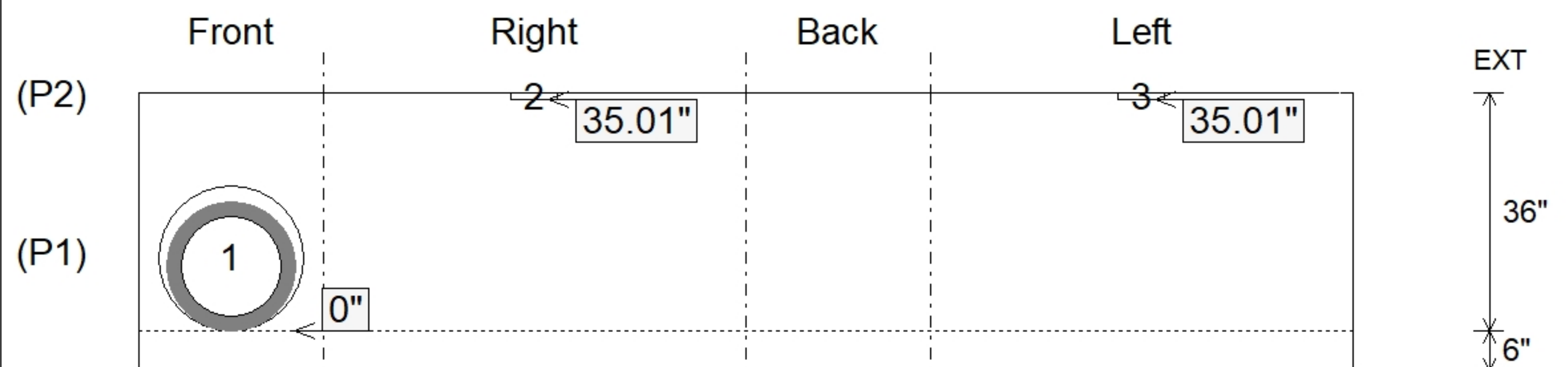
P2) 28" x 64" - CASTING HEIGHT - 6"	0 lb
P1) 28" x 64" - BOX BASE 6inW, 6inF - 36"	5102 lb
2) CASTING - JBS 3103 Single Set (F/G/H)	500 lb
1) 28" x 64" - Conseal CS-102 1.00"	0 lb
1) Hole - 22	0 lb
2) LINTEL BAR SLOT - 7"x1"	0 lb
<b>Structure Total:</b>	<b>5602 lb</b>



Position	Elev	Angle	Pipe	Pipe OD	Hole	Connector	Up ( )	Ref
Rim	585.7'							
Reducer								
Invert 1	582.38'	0°	15" RCP B WALL	19.5"	22"	Hole 22	0"	P1
Invert 2	585.11'	90°	7" x 1" LINTEL BAR SLOT	7" x 1"	7" x 1"	LINTEL BAR SLOT 7"x1"	35.01"	P1
Invert 3	585.11'	270°	7" x 1" LINTEL BAR SLOT	7" x 1"	7" x 1"	LINTEL BAR SLOT 7"x1"	35.01"	P1
Invert 4								
Invert 5								
Invert 6								
Invert 7								
Invert 8								



**Default - Interior Dimensions**



Submittal Drawing  
 4/20/2026 12:55:20 PM

SUBMITTAL  
 APPROVED BY: