

Job Name: 26-1167 - Perkins Motor Plex
Job Location: Murfreesboro, TN 37128
Contractor: Bear Construction LLC

PC: E. Bradley
 TECH: Jared - F
 Plant: 100



Structure ID: #1 (3)

Spec: Storm
 Type: BX 6inW, 6inF
 Size: 28" x 96"

Rim: 585.7'
 Invert: 581.55'
 Rim to Invert: 4.15'

Sump: 2.25"
 Floor (Top): 581.363'
 Floor Height: 6"

Floor (Bot): 580.863'
 Overall Height: 4.833'
 Slack: 0.05"

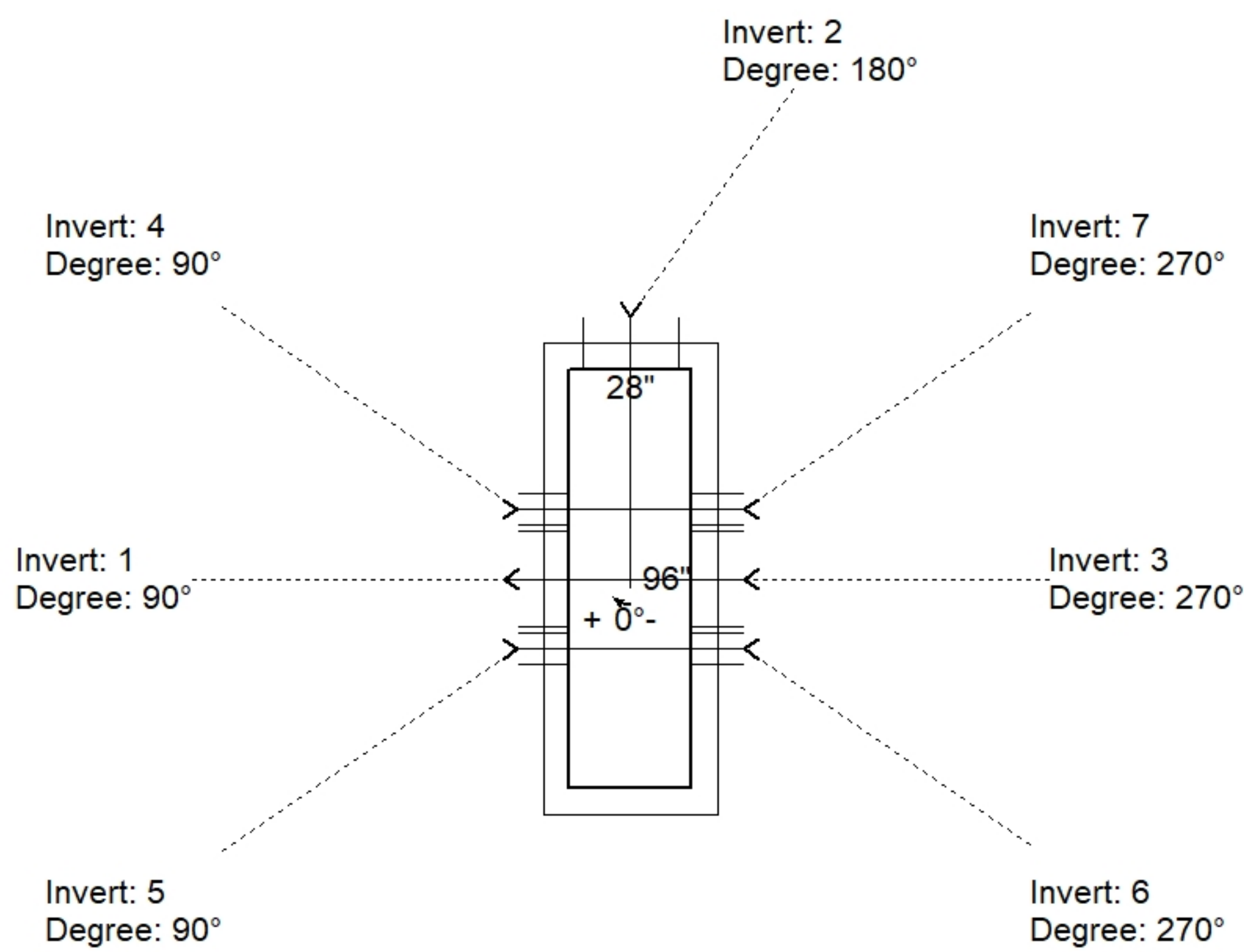
Structure Notes:

1. PER ASTM C913 SPECIFICATIONS.
2. CONCRETE = 4,000 PSI AT 28 DAYS.
3. NO STEPS AND NO INVERT CHANNEL.
4. CASTING BY ICAST (JBS 3103 TRIPLE SET (F/G/H)).

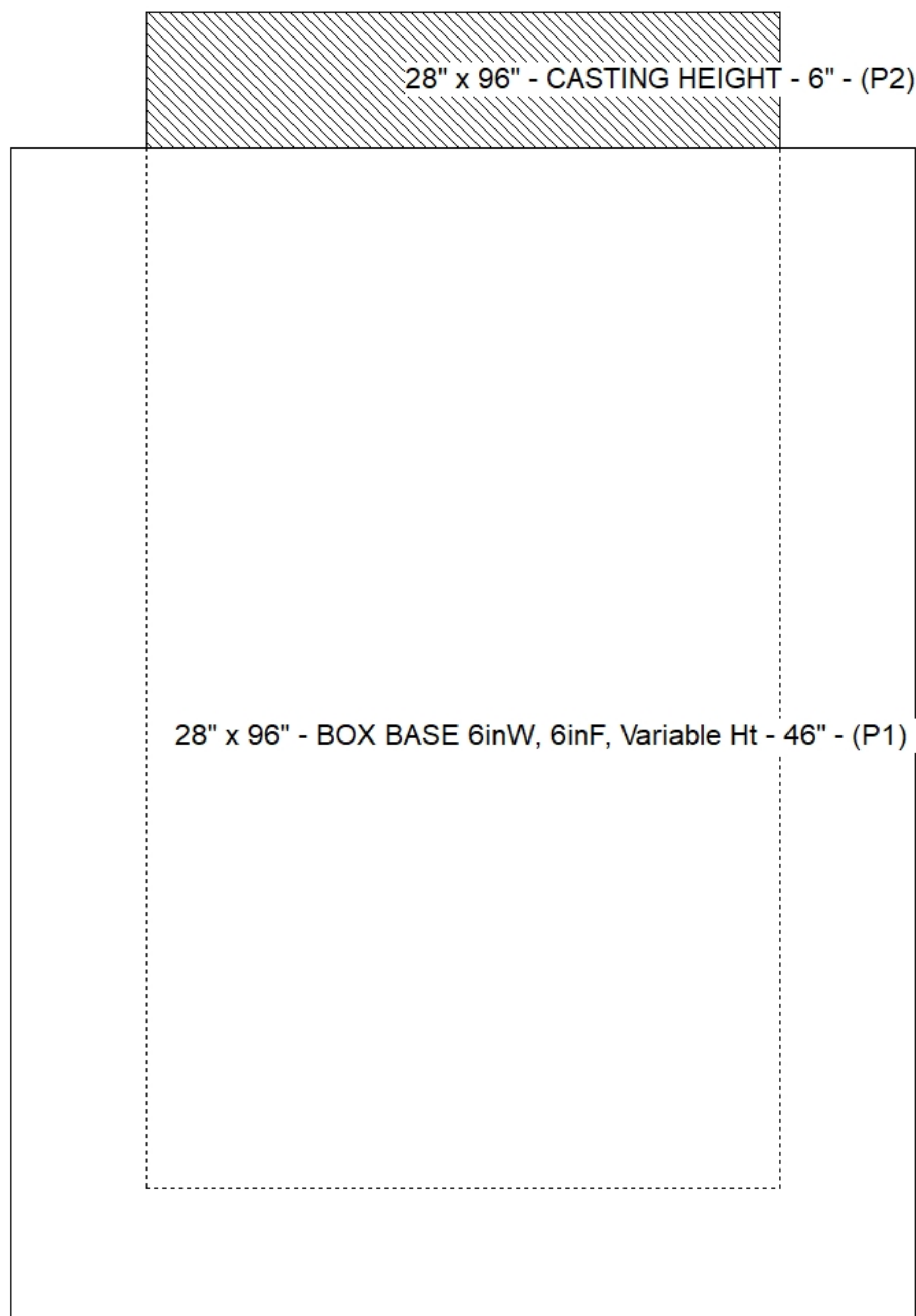
REINFORCING PER ASTM A615 (GRADE 60).
 - WALLS (As .12) #5 BARS AT 12" C.C.E.W.
 - FLOOR (As .12) #5 BARS AT 12" C.C.E.W.

STRUCTURE SUMMARY:

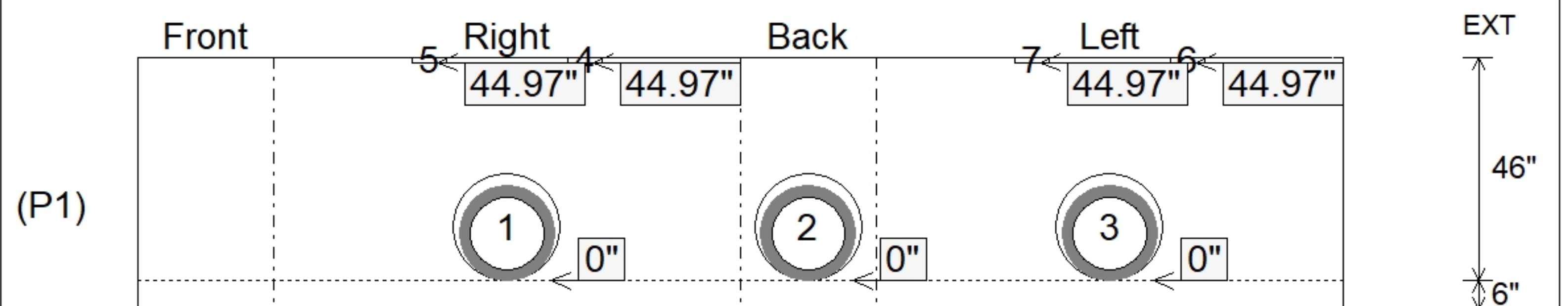
P2) 28" x 96" - CASTING HEIGHT - 6"	0 lb
P1) 28" x 96" - BOX BASE 6inW, 6inF, Variable Ht - 46"	7886 lb
1) Conseal CS-102 1.00" (Single)	0 lb
1) SECONDARY POUR - WALLS	0 lb
1) CASTING - JBS 3103 Triple Set (F/G/H)	250 lb
3) Hole - 22	0 lb
4) LINTEL BAR SLOT - 7"x1"	0 lb
Structure Total:	8136 lb



Position	Elev	Angle	Pipe	Pipe OD	Hole	Connector	Up (")	Ref
Rim	585.7'							
Reducer								
Invert 1	581.55'	90°	15" RCP B WALL	19.5"	22"	Hole 22	0"	P1
Invert 2	581.55'	180°	15" RCP B WALL	19.5"	22"	Hole 22	0"	P1
Invert 3	581.55'	270°	15" RCP B WALL	19.5"	22"	Hole 22	0"	P1
Invert 4	585.11'	90°	7" x 1" LINTEL BAR SLOT	7" x 1"	7" x 1"	LINTEL BAR SLOT 7"x1"	44.97"	P1
Invert 5	585.11'	90°	7" x 1" LINTEL BAR SLOT	7" x 1"	7" x 1"	LINTEL BAR SLOT 7"x1"	44.97"	P1
Invert 6	585.11'	270°	7" x 1" LINTEL BAR SLOT	7" x 1"	7" x 1"	LINTEL BAR SLOT 7"x1"	44.97"	P1
Invert 7	585.11'	270°	7" x 1" LINTEL BAR SLOT	7" x 1"	7" x 1"	LINTEL BAR SLOT 7"x1"	44.97"	P1
Invert 8								



Default - Interior Dimensions



Submittal Drawing
 4/20/2026 12:55:17 PM

SUBMITTAL
 APPROVED BY: