

Job Name: 26-1162 - Youngstown Sewer Replacement
Job Location: Jeffersonville, IN 47130
Contractor: SLB Pipe Solutions

PC: T. Lewis
 TECH: J. Horsley - F
 Plant: 100



Structure ID: **S4 (5)**
 Spec: Sanitary
 Type: SAN.MH
 Size: 48"

Rim: 460.05'
 Invert: 451'
 Rim to Invert: 9.05'

Sump: 3"
 Floor (Top): 450.75'
 Floor Height: 6"

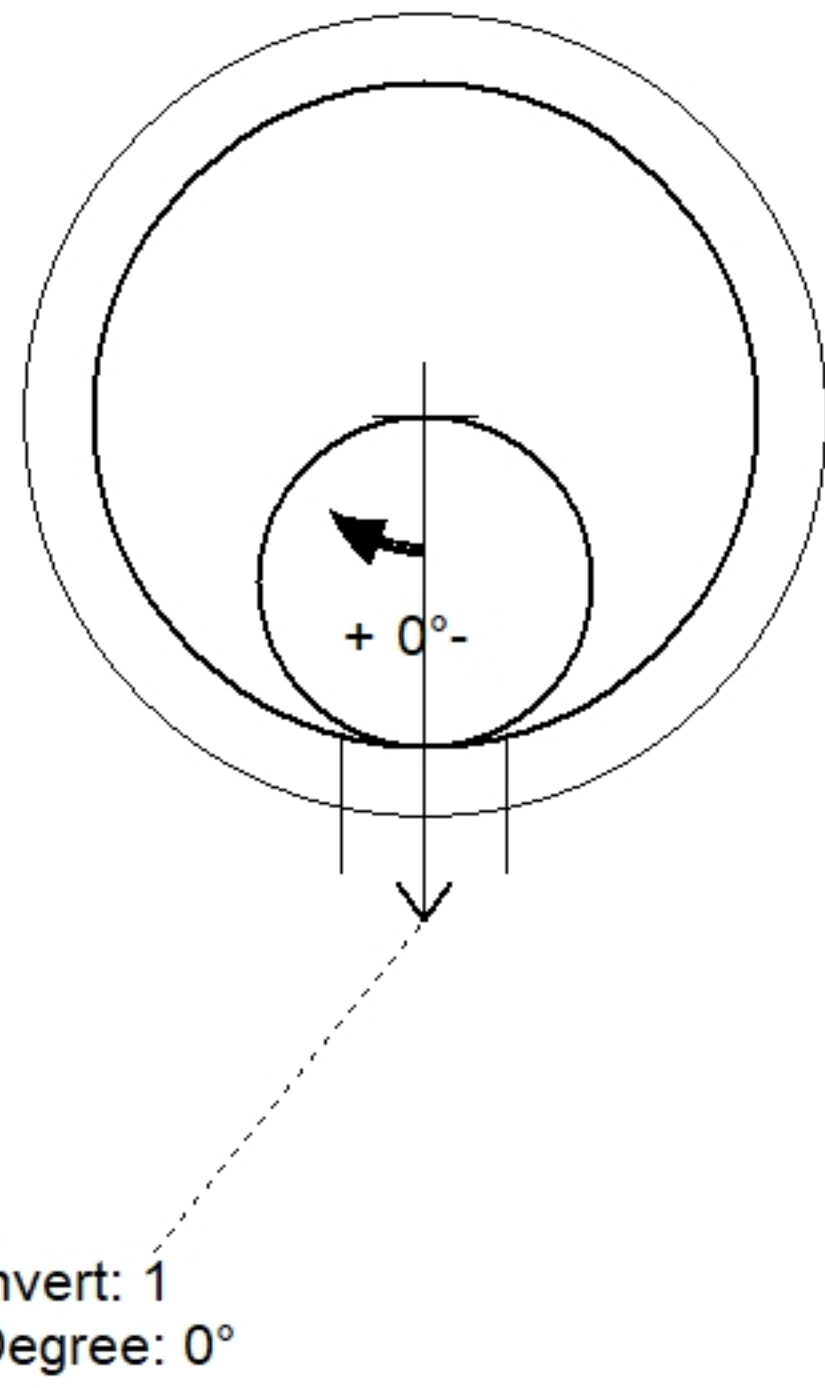
Floor (Bot): 450.25'
 Overall Height: 9.75'
 Slack: 0.6"

Structure Notes:
 1. PER ASTM C478 SPECIFICATIONS.
 2. CONCRETE = 4,000 PSI AT 28 DAYS.
 3. CASTING BY ICAST (HOE MC-375 F/C SANITARY)
 4. NO STEPS.

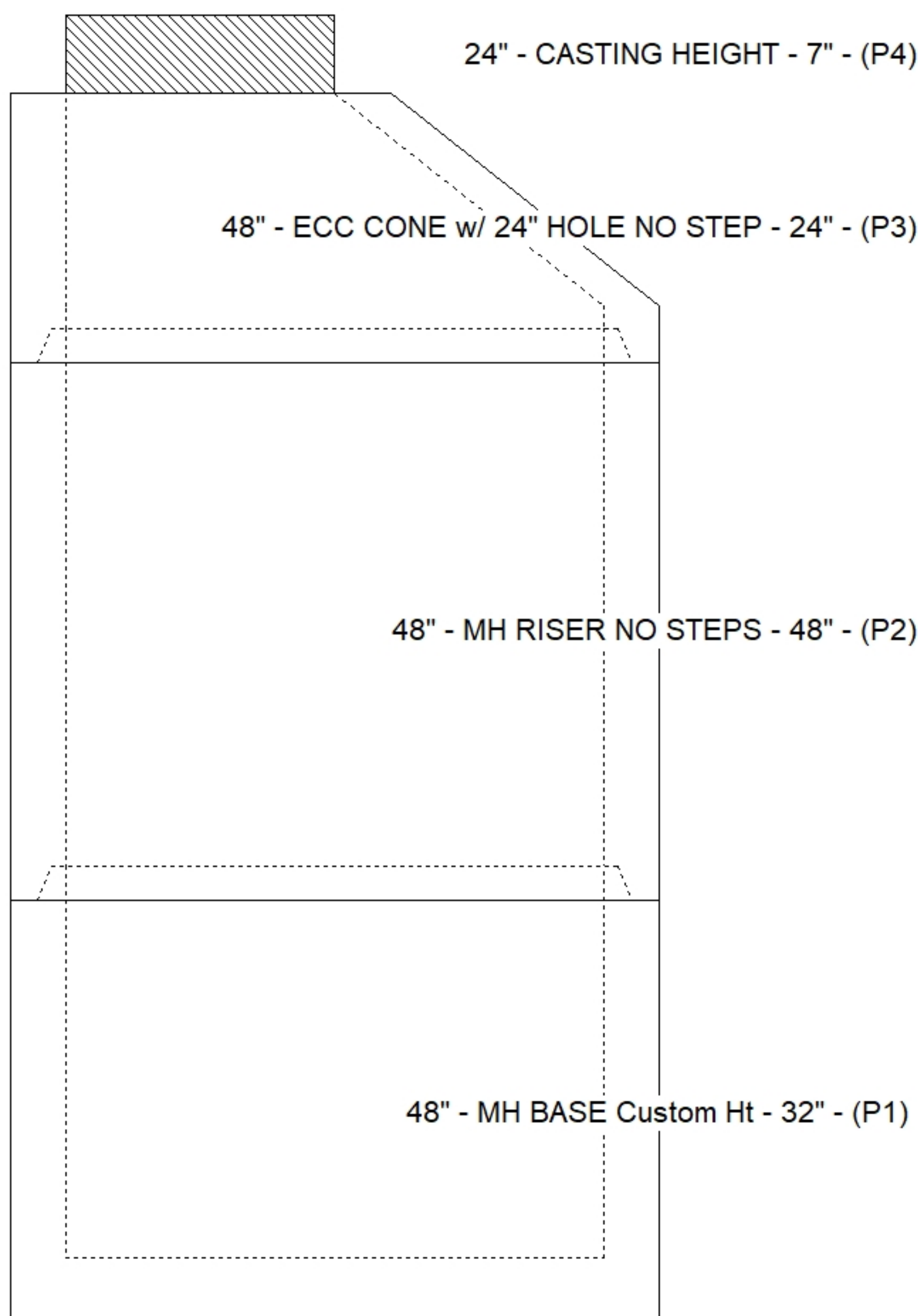
REINFORCING PER ASTM A615 (GRADE 60).
 - CONE (As .12)
 - RISER/WALLS (As .12)
 - FLOOR (As .31) #5 BARS AT 12" C.C.E.W.

STRUCTURE SUMMARY:

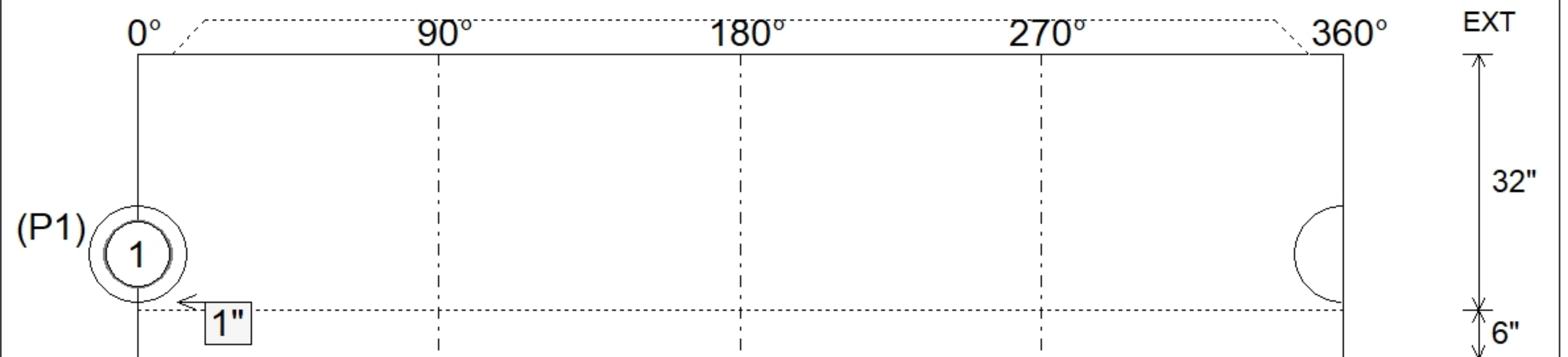
P4) 24" - CASTING HEIGHT - 7"	0 lb
P3) 48" - ECC CONE w/ 24" HOLE NO STEP - 24"	1550 lb
P2) 48" - MH RISER NO STEPS - 48"	3353 lb
P1) 48" - MH BASE Custom Ht - 32"	3518 lb
1) JOINT WRAP - 0.065"x6"x50' CONSEAL CS212	0 lb
1) JOINT WRAP PRIMER - CONSEAL CS-75 (1 gal.)	0 lb
1) 48" - MH INVERT CHANNEL - FULL HEIGHT	1440 lb
1) CASTING - HOE MC-375 F/C Sanitary	271 lb
2) 48" - Conseal CS-102 1.00" (Double)	0 lb
1) PSX - 12-08 NYLO	8 lb
Structure Total:	10140 lb



Position	Elev	Angle	Pipe	Pipe OD	Hole	Connector	Up ()	Ref
Rim	460.05'							
Reducer								
Invert 1	451'	0°	8" PVC SDR35	8.5"	12"	PSX 12-08 NYLO	1"	P1
Invert 2								
Invert 3								
Invert 4								
Invert 5								
Invert 6								
Invert 7								
Invert 8								



Default - Interior Dimensions



Submittal Drawing
 3/16/2026 2:57:24 PM

SUBMITTAL
 APPROVED BY: