

Job Name: 26-1162 - Youngstown Sewer Replacement

Job Location: Jeffersonville, IN 47130

Contractor: SLB Pipe Solutions

PC: T. Lewis

TECH: J. Horsley - F

Plant: 100



Structure ID: **S3 (4)**

Spec: Sanitary

Type: SAN.MH

Size: 48"

Rim: 455.29'

Invert: 448.67'

Rim to Invert: 6.62'

Sump: 3"

Floor (Top): 448.42'

Floor Height: 6"

Floor (Bot): 447.92'

Overall Height: 7.333'

Slack: 0.44"

Structure Notes:

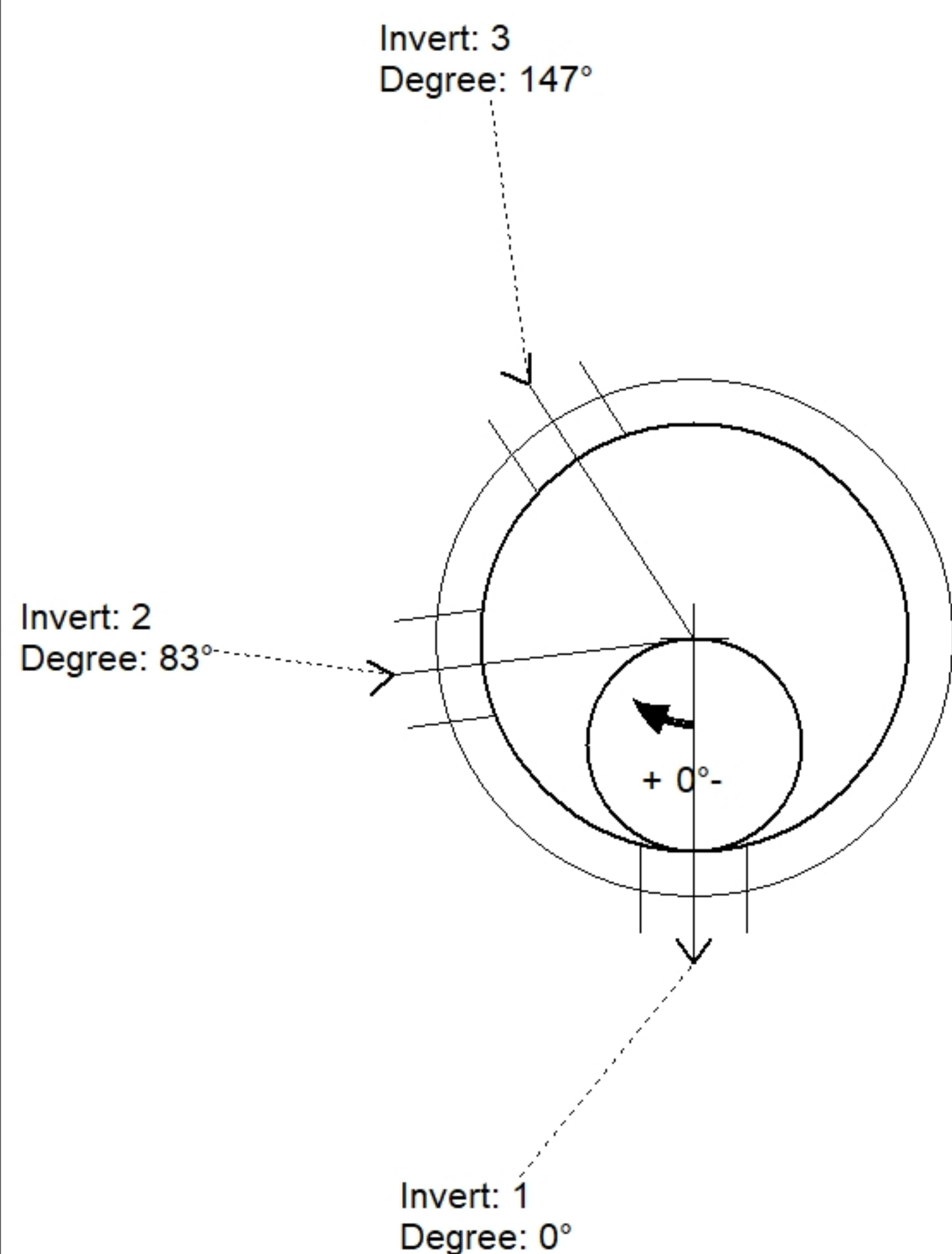
1. PER ASTM C478 SPECIFICATIONS.
2. CONCRETE = 4,000 PSI AT 28 DAYS.
3. CASTING BY ICAST (HOE MC-375 F/C SANITARY)
4. NO STEPS.

REINFORCING PER ASTM A615 (GRADE 60).

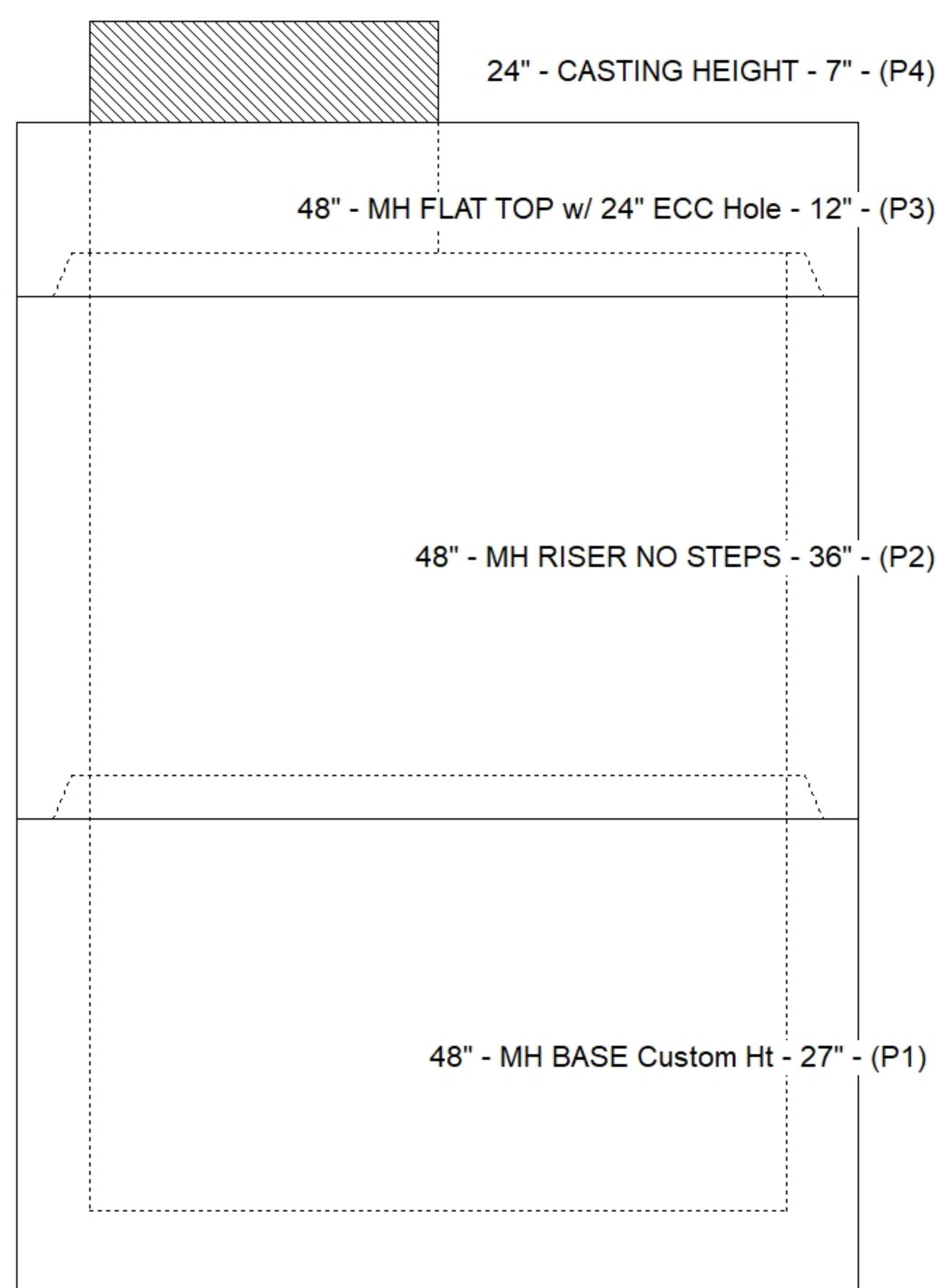
- TOP SLAB = H2O LOADING.
- RISER/WALLS (As .12)
- FLOOR (As .31) #5 BARS AT 12" C.C.E.W.

STRUCTURE SUMMARY:

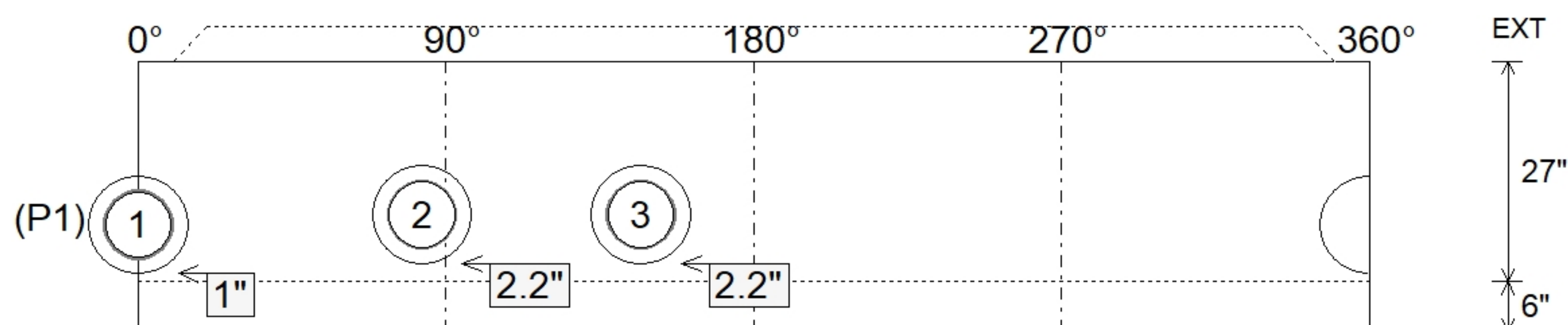
P4) 24" - CASTING HEIGHT - 7"	0 lb
P3) 48" - MH FLAT TOP w/ 24" ECC Hole - 12"	1561 lb
P2) 48" - MH RISER NO STEPS - 36"	2515 lb
P1) 48" - MH BASE Custom Ht - 27"	3073 lb
1) JOINT WRAP - 0.065"x6"x50' CONSEAL CS212	0 lb
1) JOINT WRAP PRIMER - CONSEAL CS-75 (1 gal.)	0 lb
1) 48" - MH INVERT CHANNEL - FULL HEIGHT	1440 lb
1) CASTING - HOE MC-375 F/C Sanitary	271 lb
2) 48" - Conseal CS-102 1.00" (Double)	0 lb
3) PSX - 12-08 NYLO	24 lb
Structure Total:	8884 lb



Position	Elev	Angle	Pipe	Pipe OD	Hole	Connector	Up ()	Ref
Rim	455.29'							
Reducer								
Invert 1	448.67'	0°	8" PVC SDR35	8.5"	12"	PSX 12-08 NYLO	1"	P1
Invert 2	448.77'	83°	8" PVC SDR35	8.5"	12"	PSX 12-08 NYLO	2.2"	P1
Invert 3	448.77'	147°	8" PVC SDR35	8.5"	12"	PSX 12-08 NYLO	2.2"	P1
Invert 4								
Invert 5								
Invert 6								
Invert 7								
Invert 8								



Default - Interior Dimensions



Submittal Drawing
3/16/2026 2:57:24 PM

SUBMITTAL
APPROVED BY: