

Job Name: 26-1162 - Youngstown Sewer Replacement
 Job Location: Jeffersonville, IN 47130
 Contractor: SLB Pipe Solutions

Plant: 100
 3/12/2026 4:19:19 PM

Tech: J. Horsley - F
 PC: T. Lewis



Structure ID: S3 (4)

P1 MH048BAVF

MH BASE Custom Ht T/n

- P4) 24" - CASTING HEIGHT - 7" 0 lb
- P3) 48" - MH FLAT TOP w/ 24" ECC Hole F/G - 12" 1561 lb
- P2) 48" - MH RISER T/G - 36" 2515 lb
- P1) 48" - MH BASE Custom Ht T/n - 27" 3073 lb
- 1) JOINT WRAP - 0.065"x6"x50' CONSEAL CS212 0 lb
- 1) JOINT WRAP PRIMER - CONSEAL CS-75 (1 gal.) 0 lb
- 1) 48" - MH INVERT CHANNEL - FULL HEIGHT 1440 lb
- 1) CASTING - HOE MC-375 F/C Sanitary 271 lb
- 2) 48" - Conseal CS-102 1.00" (Double) 0 lb
- 3) PSX - 12-08 NYLO 24 lb

Structure Total: 8884 lb

- Structure Notes:**
1. PER ASTM C478 SPECIFICATIONS.
 2. CONCRETE = 4,000 PSI AT 28 DAYS.
 3. CASTING BY ICAST (HOE MC-375 F/C SANITARY)
 4. NO STEPS.

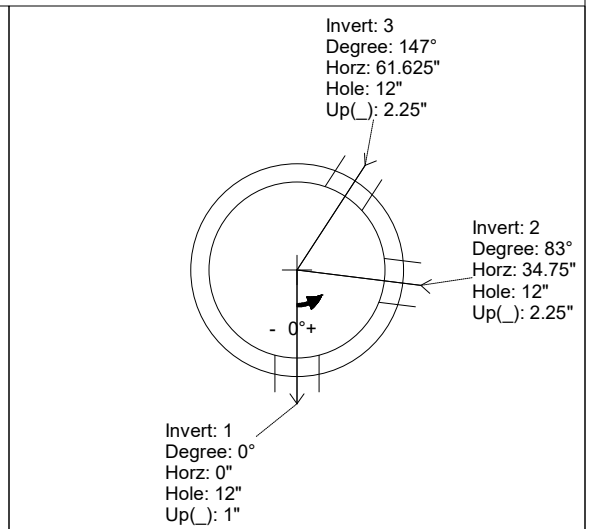
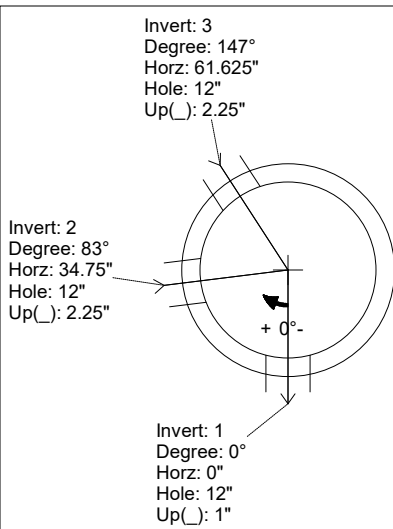
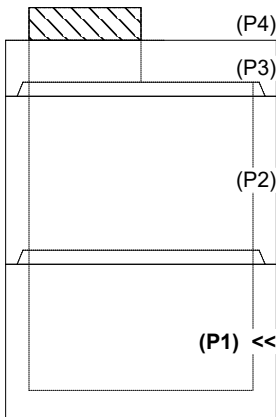
REINFORCING PER ASTM A615 (GRADE 60).
 - TOP SLAB = H2O LOADING.
 - RISER/WALLS (As .12)
 - FLOOR (As .31) #5 BARS AT 12" C.C.E.W.

Rim: 455.29' Rim to Invert: 6.62' Slack: 0.44" Sump: 3" Step Position:

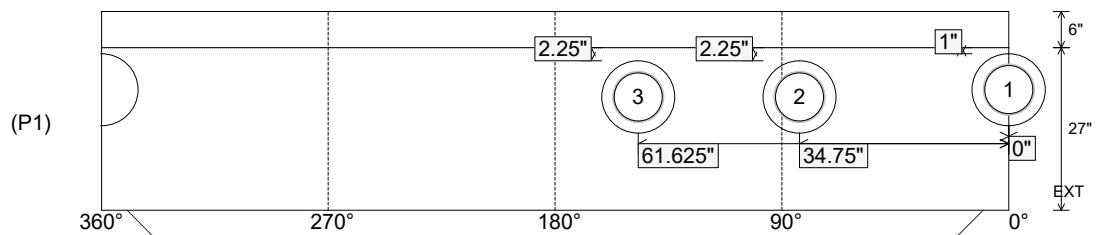
Position	Elev	Angle	Ext. (cw)	Pipe	Pipe OD	Connector	Hole	Horz Size	Up ()	Offset
Invert 1	448.67'	0°	0"	8" PVC SDR35	8.5"	PSX 12-08 NYLO	12"	12.129"	1"	0"
Invert 2	448.77'	83°	42"	8" PVC SDR35	8.5"	PSX 12-08 NYLO	12"	12.129"	2.25"	0"
Invert 3	448.77'	147°	74.375"	8" PVC SDR35	8.5"	PSX 12-08 NYLO	12"	12.129"	2.25"	0"
Invert 4										
Invert 5										
Invert 6										
Invert 7										
Invert 8										

RIGHT-SIDE UP VIEW (int. dimensions)

UPSIDE-DOWN VIEW (int. dimensions)



INSIDE WALL DIMENSIONS



Coating (Int):
 Coating (Ext):

Seam Up: Tongue
 Seam Dn: n/a

Wall Thickness: 5"
 Floor Height: 6"

Height (Int): 27"
 Height (Ext): 33"

Weight (Net): 3073 lb
 Volume (Net): 0.78cu.yd

Job Name: 26-1162 - Youngstown Sewer Replacement
 Job Location: Jeffersonville, IN 47130
 Contractor: SLB Pipe Solutions

Plant: 100
 3/12/2026 4:19:19 PM

Tech: J. Horsley - F
 PC: T. Lewis



Structure ID: S3 (4)

P1 MH048BAVF

MH BASE Custom Ht T/n

- P4) 24" - CASTING HEIGHT - 7"
- P3) 48" - MH FLAT TOP w/ 24" ECC Hole F/G - 12"
- P2) 48" - MH RISER T/G - 36"
- P1) 48" - MH BASE Custom Ht T/n - 27"
- 1) JOINT WRAP - 0.065"x6"x50' CONSEAL CS212
- 1) JOINT WRAP PRIMER - CONSEAL CS-75 (1 gal.)
- 1) 48" - MH INVERT CHANNEL - FULL HEIGHT**
- 1) CASTING - HOE MC-375 F/C Sanitary
- 2) 48" - Conseal CS-102 1.00" (Double)
- 3) PSX - 12-08 NYLO

0 lb
 1561 lb
 2515 lb
 3073 lb
 0 lb
 0 lb
 1440 lb
 271 lb
 0 lb
 24 lb

 Structure Total: 8884 lb

Structure Notes:
 1. PER ASTM C478 SPECIFICATIONS.
 2. CONCRETE = 4,000 PSI AT 28 DAYS.
 3. CASTING BY ICAST (HOE MC-375 F/C SANITARY)
 4. NO STEPS.

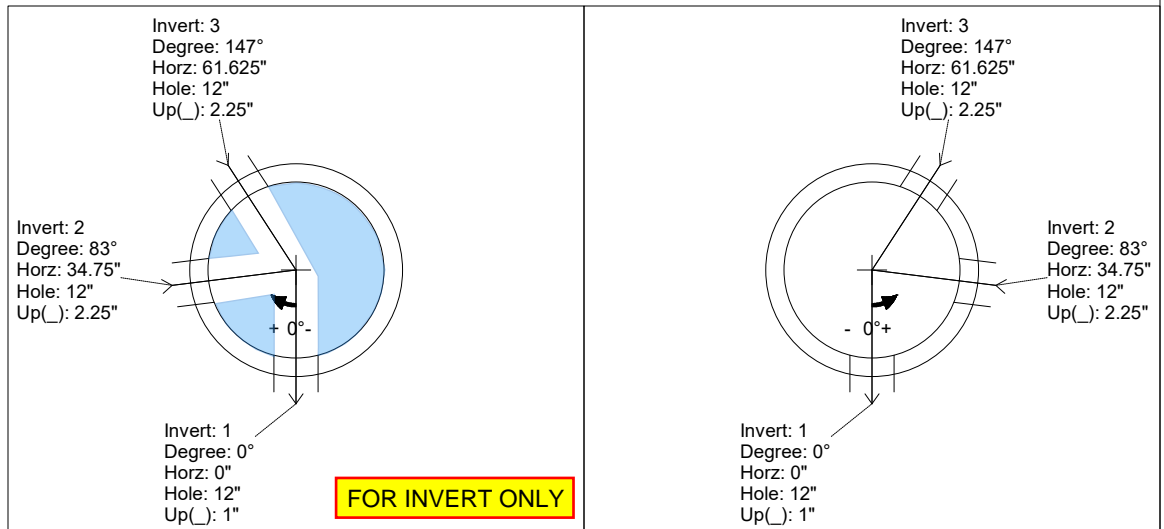
REINFORCING PER ASTM A615 (GRADE 60).
 - TOP SLAB = H2O LOADING.
 - RISER/WALLS (As .12)
 - FLOOR (As .31) #5 BARS AT 12" C.C.E.W.

Rim: 455.29' Rim to Invert: 6.62' Slack: 0.44" Sump: 3" Step Position:

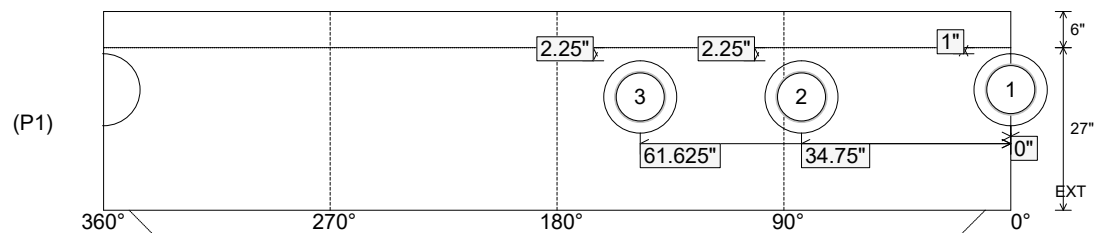
Position	Elev	Angle	Ext. (cw)	Pipe	Pipe OD	Connector	Hole	Horz Size	Up ()	Offset
Invert 1	448.67'	0°	0"	8" PVC SDR35	8.5"	PSX 12-08 NYLO	12"	12.129"	1"	0"
Invert 2	448.77'	83°	42"	8" PVC SDR35	8.5"	PSX 12-08 NYLO	12"	12.129"	2.25"	0"
Invert 3	448.77'	147°	74.375"	8" PVC SDR35	8.5"	PSX 12-08 NYLO	12"	12.129"	2.25"	0"
Invert 4										
Invert 5										
Invert 6										
Invert 7										
Invert 8										

RIGHT-SIDE UP VIEW (int. dimensions)

UPSIDE-DOWN VIEW (int. dimensions)



INSIDE WALL DIMENSIONS



Coating (Int):
 Coating (Ext):

Seam Up: Tongue
 Seam Dn: n/a

Wall Thickness: 5"
 Floor Height: 6"

Height (Int): 27"
 Height (Ext): 33"

Weight (Net): 3073 lb
 Volume (Net): 0.78cu.yd