

**Job Name: 26-1162 - Youngstown Sewer Replacement**  
**Job Location: Jeffersonville, IN 47130**  
**Contractor: SLB Pipe Solutions**

PC: T. Lewis  
 TECH: J. Horsley - F  
 Plant: 100



Structure ID: **S1 (2)**  
 Spec: Sanitary  
 Type: SAN.MH  
 Size: 48"

Rim: 455.95'  
 Invert: 446.57'  
 Rim to Invert: 9.38'

Sump: 2"  
 Floor (Top): 446.403'  
 Floor Height: 6"

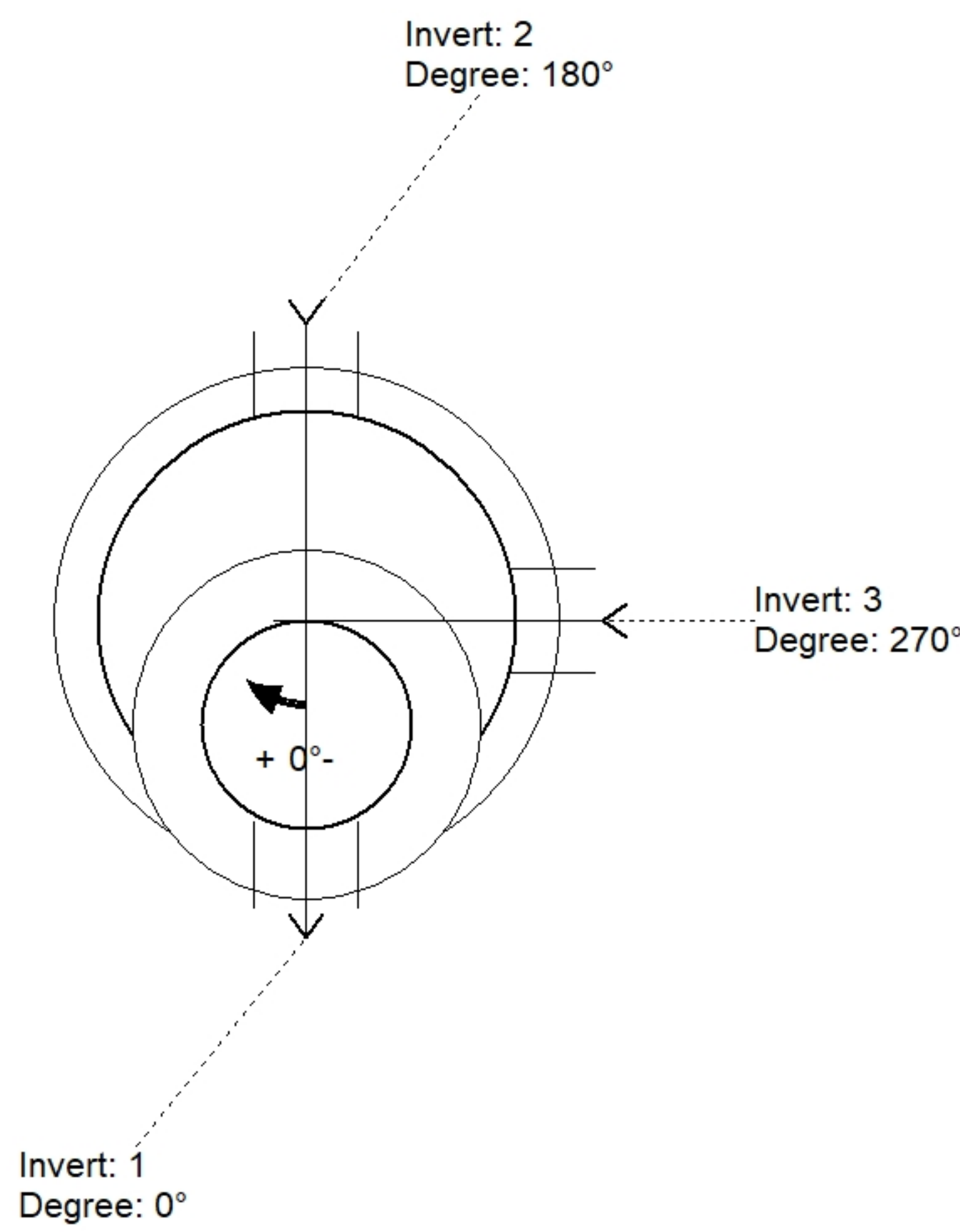
Floor (Bot): 445.903'  
 Overall Height: 9.917'  
 Slack: 1.56"

**Structure Notes:**  
 1. PER ASTM C478 SPECIFICATIONS.  
 2. CONCRETE = 4,000 PSI AT 28 DAYS.  
 3. CASTING BY ICAST (HOE MC-375 F/C SANITARY)  
 4. NO STEPS.

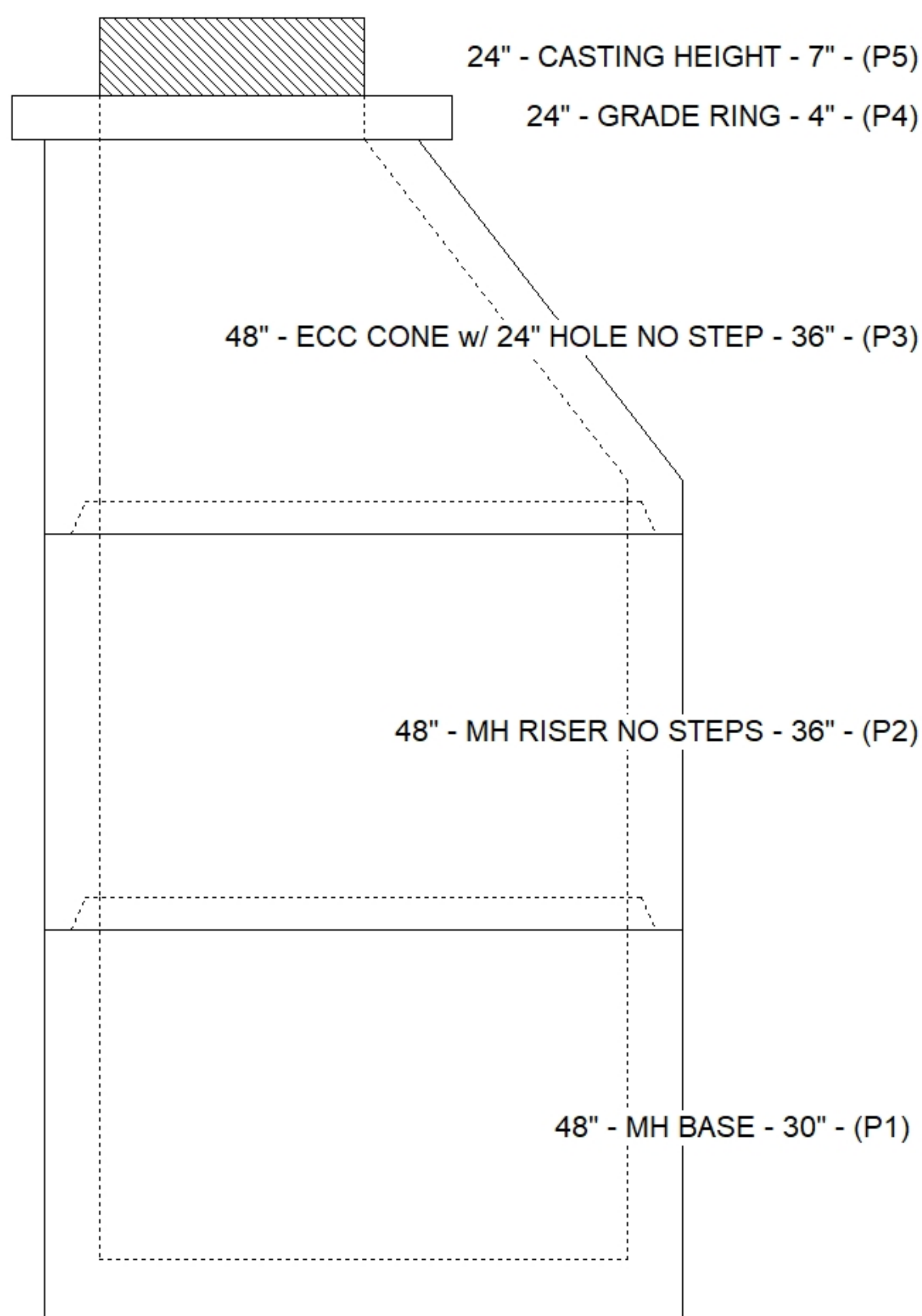
REINFORCING PER ASTM A615 (GRADE 60).  
 - CONE (As .12)  
 - RISER/WALLS (As .12)  
 - FLOOR (As .31) #5 BARS AT 12" C.C.E.W.

**STRUCTURE SUMMARY:**

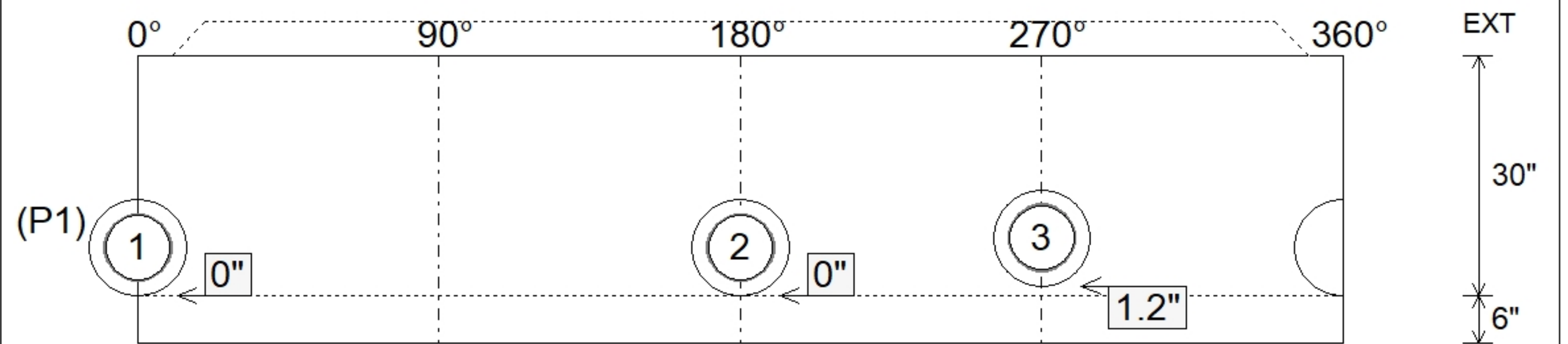
P5) 24" - CASTING HEIGHT - 7"	0 lb
P4) 24" - GRADE RING - 4"	270 lb
P3) 48" - ECC CONE w/ 24" HOLE NO STEP - 36"	3000 lb
P2) 48" - MH RISER NO STEPS - 36"	2515 lb
P1) 48" - MH BASE - 30"	3282 lb
1) JOINT WRAP - 0.065"x6"x50' CONSEAL CS212	0 lb
1) JOINT WRAP PRIMER - CONSEAL CS-75 (1 gal.)	0 lb
1) 48" - MH INVERT CHANNEL - FULL HEIGHT	1440 lb
1) CASTING - HOE MC-375 F/C Sanitary	271 lb
2) 48" - Conseal CS-102 1.00" (Double)	0 lb
3) PSX - 12-08 NYLO	24 lb
<b>Structure Total:</b>	<b>10802 lb</b>



Position	Elev	Angle	Pipe	Pipe OD	Hole	Connector	Up (")	Ref
Rim	455.95'							
Reducer								
Invert 1	446.57'	0°	8" PVC SDR35	8.5"	12"	PSX 12-08 NYLO	0"	P1
Invert 2	446.57'	180°	8" PVC SDR35	8.5"	12"	PSX 12-08 NYLO	0"	P1
Invert 3	446.67'	270°	8" PVC SDR35	8.5"	12"	PSX 12-08 NYLO	1.2"	P1
Invert 4								
Invert 5								
Invert 6								
Invert 7								
Invert 8								



**Default - Interior Dimensions**



Submittal Drawing  
 3/16/2026 2:57:22 PM

SUBMITTAL  
 APPROVED BY: