

Job Name: 26-1150 One Senior Care
 Job Location: Morehead, KY
 Contractor: W Principles

Plant: 100
 2/17/2026 9:41:54 AM

Tech: J. Horsley
 PC: E. Bradley



Structure ID: JB 1

P2 BX036048-06LD08S

CB FLAT TOP 8"W w/24" HOLE F/F

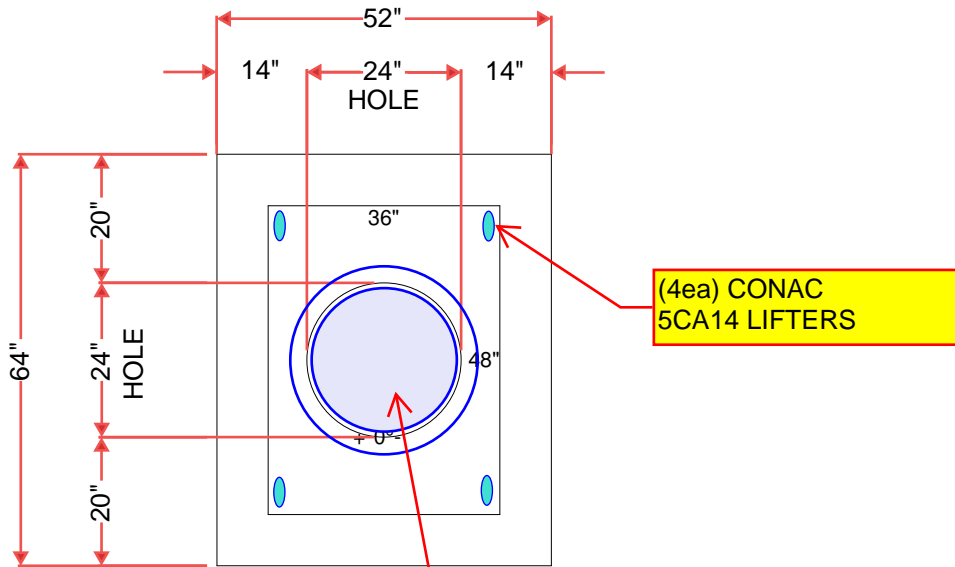
- P3) CASTING (cast in) - 0
- P2) 36" x 48" - CB FLAT TOP 8"W w/24" HOLE F/F - 6"
- P1) 36" x 48" - BOX BASE 8inW, 8inF, Variable Ht F/n - 33"
- 1) CASTING - HOE KY-206 F/C (KY TY.1)
- 1) 36" x 48" - Conseal CS-102 1.00"
- 2) Hole - 16
- 1) DOGHOUSE INVRTD - 16"x15"

0 lb
 1448 lb
 6224 lb
 206 lb
 0 lb
 0 lb
 0 lb

 Structure Total: 7878 lb

Structure Notes:
 ** KYTC STATE PROJECT **
 1. KYTC JUNCTION BOX B2 / PER ASTM C913 SPEC'S.
 2. CONCRETE = 4,000 PSI AT 28 DAYS.
 3. CASTING BY ICAST (HOE KY-206 F/C KY TY.1)

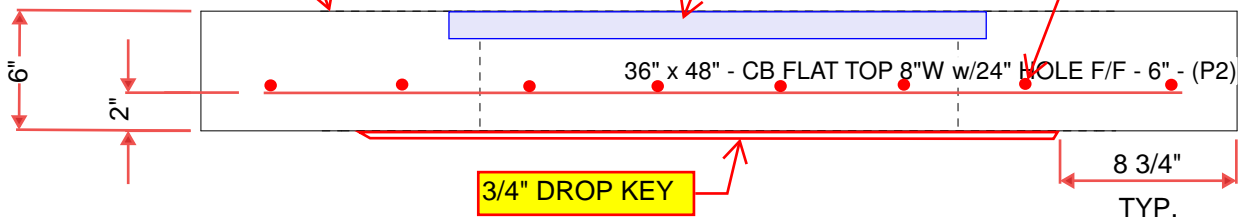
REINFORCING PER ASTM A615 (GRADE 60).
 - TOP SLAB (As. 62) #5 BARS AT 6" C.C.E.W.
 - WALLS (As .31) #5 BARS AT 12" C.C.E.W.
 - FLOOR (As .31) #5 BARS AT 12: C.C.E.W.



LITE BROOM FINISH ON TOP SURFACE

HOE KY-206 F/C (KY TY.1) CAST FLUSH INTO CENTER OF TOP SLAB

#5 BARS AT 6" C.C.E.W 2" CLR. TYPICAL



Coating (Int): Coating (Ext):	Seam Up: Flat Seam Dn: Flat	Wall Thickness: 8"	Height (Ext): 6"	Weight (Net): 1448 lb Volume (Net): 0.37cu.yd
----------------------------------	--------------------------------	--------------------	------------------	--