

Job Name: 26-1150 One Senior Care
 Job Location: Morehead, KY
 Contractor: W Principles

Plant: 100

2/10/2026 12:37:49 PM

Tech: J. Horsley

PC: E. Bradley



Structure ID: CI 3 (2)

P1 BX2436-08BVF

BOX BASE 8inW, 8inF, Variable Ht T/n

- P3) 24" x 60" - CB INLET KY A 5' TOP LEFT F/G - 10"
- P2) 24" x 60" - CB INLET KY A 5' BOTTOM LEFT T/G - 18"
- P1) 24" x 36" - BOX BASE 8inW, 8inF, Variable Ht T/n - 24"
- 1) CASTING - HOE KY-465 SET (CBI TY F)
- 1) 24" x 36" - Conseal CS-102 1.00"
- 1) Hole - 16
- 1) Hole - 6

1895 lb
 2670 lb
 3691 lb
 465 lb
 0 lb
 0 lb
 0 lb

 Structure Total: 8721 lb

Structure Notes:

- ** KYTC STATE PROJECT **
- 1. PER KYTC CBI TYPE A / ASTM C913 SPEC'S.
- 2. CONCRETE = 4,000 PI AT 28 DAYS.
- 3. NO INVERT CHANNEL.
- 4. JOE JY-206 F/C CAST INTO TOP PHASE.

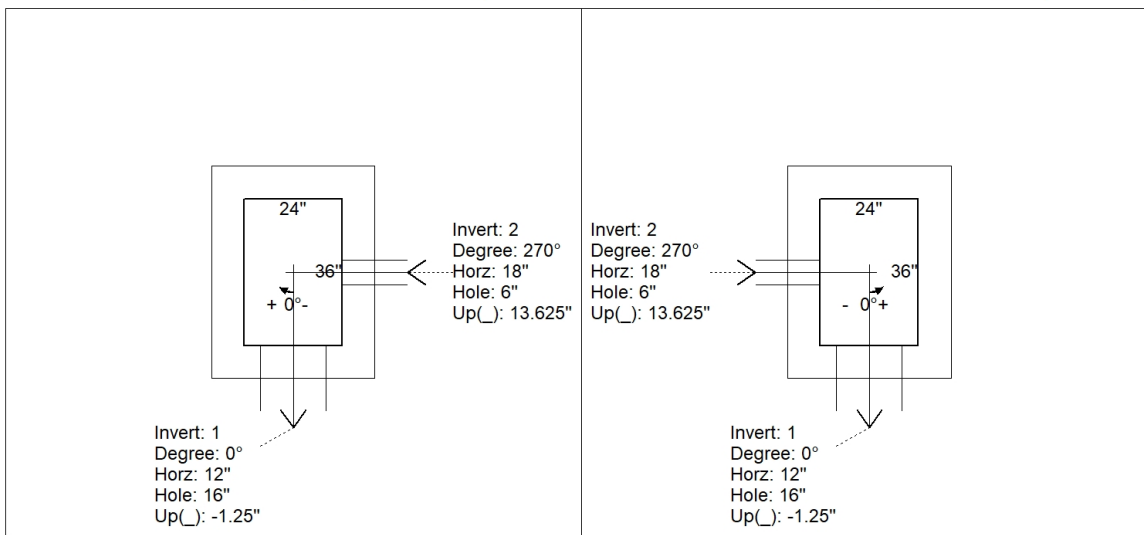
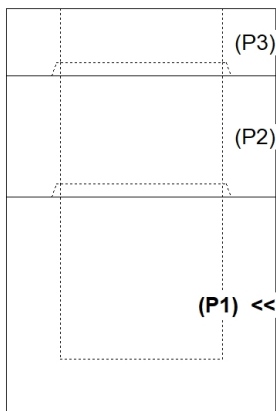
REINFORCING PER ASTM A615 (GRADE 60).
 - TOP PHASE (As .62) #5 BARS AT 6" C.C.E.W.
 - WALLS (As .31) #5 BARS AT 12" C.C.E.W.
 - FLOOR (As .31) #5 BARS AT 12" C.C.E.W.

Rim: 741' Rim to Invert: 4.33' Slack: -0.04" Sump: 0" Step Position:

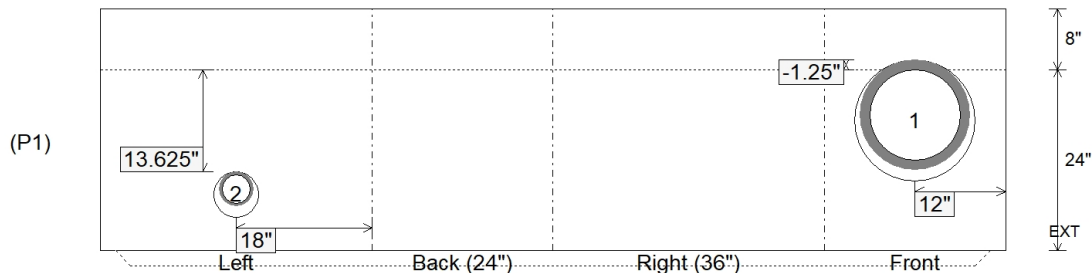
Position	Elev	Angle	Ext. (cw)	Pipe	Pipe OD	Connector	Hole	Horz Size	Up ()	Offset
Invert 1	736.67'	0°	20"	12" HDPE	14.5"	Hole 16	16"	16"	-1.25"	0"
Invert 2	737.83'	270°	26"	4" PVC SCH80	4.5"	Hole 6	6"	6"	13.625"	0"
Invert 3										
Invert 4										
Invert 5										
Invert 6										
Invert 7										
Invert 8										

RIGHT-SIDE UP VIEW (int. dimensions)

UPSIDE-DOWN VIEW (int. dimensions)



INSIDE WALL DIMENSIONS



Coating (Int):
 Coating (Ext):

Seam Up: Tongue
 Seam Dn: n/a

Wall Thickness: 8"
 Floor Height: 8"

Height (Int): 24"
 Height (Ext): 32"

Weight (Net): 3691 lb
 Volume (Net): 0.94cu.yd