

Job Name: 26-1150 One Senior Care
 Job Location: Morehead, KY
 Contractor: W Principles

Plant: 100

2/10/2026 12:37:36 PM

Tech: J. Horsley

PC: E. Bradley



Structure ID: CI 1 (4)

P1 BX3636-08BAVF

BOX BASE 8inW, 8inF, Variable Ht F/n

P3) 24" x 24" - CASTING HEIGHT - 5"	0 lb
P2) 36" x 36" - CB FLAT TOP 8"W w/24"x24" HOLE F/F - 8"	1429 lb
P1) 36" x 36" - BOX BASE 8inW, 8inF, Variable Ht F/n - 51"	7649 lb
1) CASTING - HOE KY-465 SET (CBI TY F)	465 lb
1) 36" x 36" - Conseal CS-102 1.00"	0 lb
1) 24" x 24" - Conseal CS-102 1.00"	0 lb
3) Hole - 6	0 lb
1) Hole - 16	0 lb
Structure Total:	9542 lb

Structure Notes:
 ** KYTC STATE PROJECT **
 1. KYTC CBI TYPE F / ASTM C913 SPECIFICATIONS.
 2. CONCRETE = 4,000 PSI AT 28 DAYS.
 3. NO STEPS & NO INVERT CHANNEL.
 4. CASTING BY ICAST (HOE KY-465 F/G/H).
 5. PIPE GUARD LFG-10 FOR OUTLET PIPE PROVIDED BY ICAST.

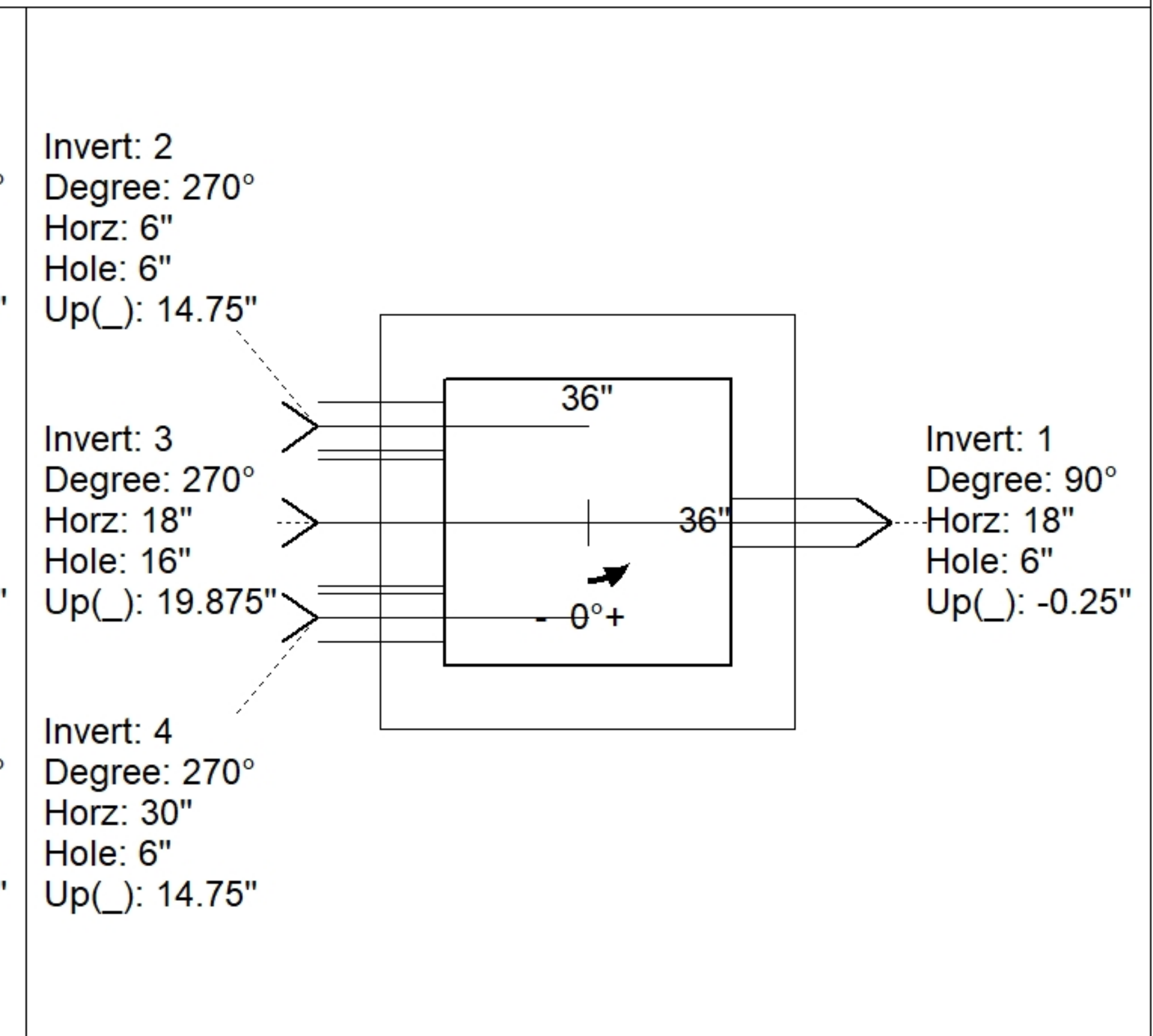
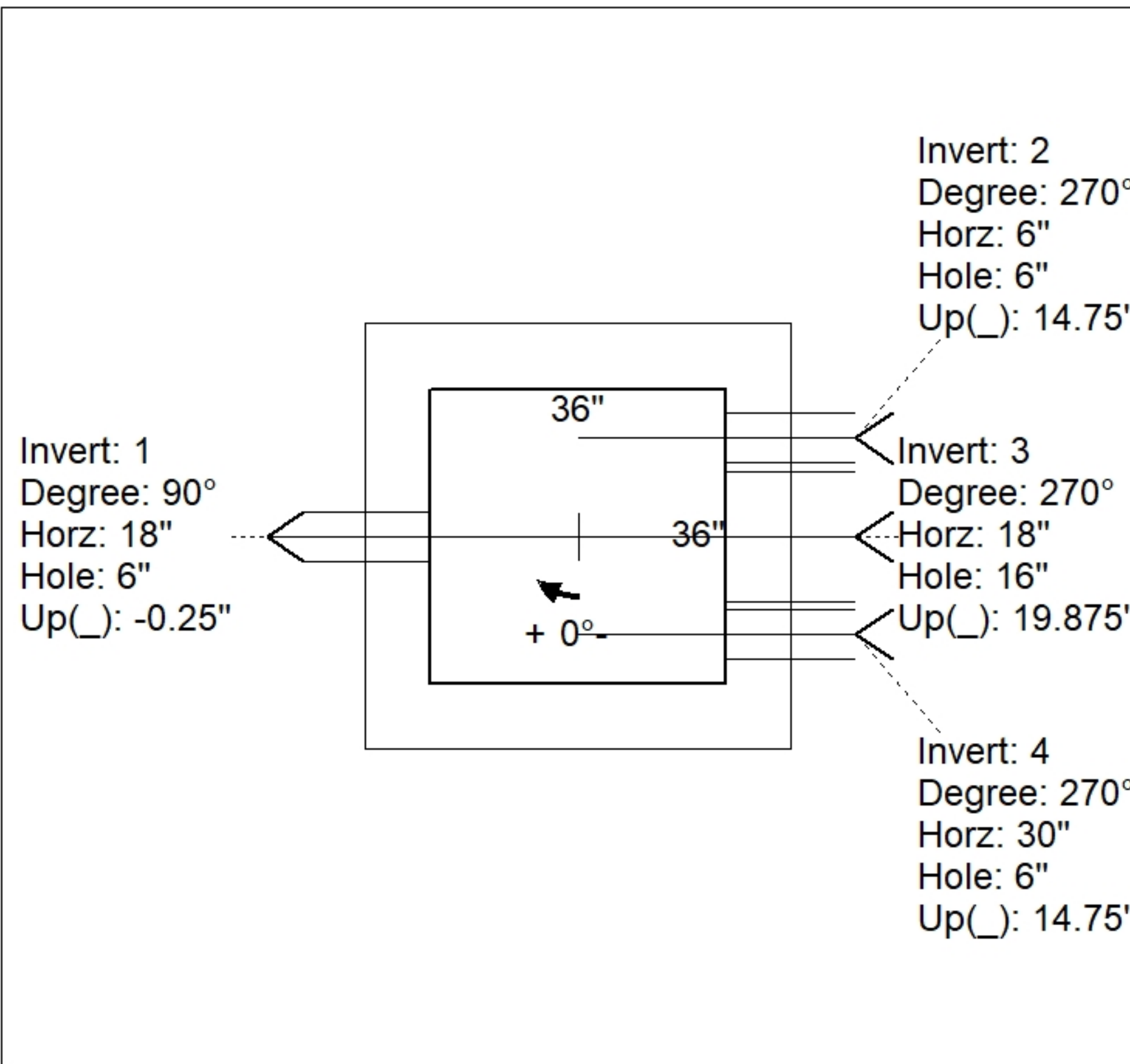
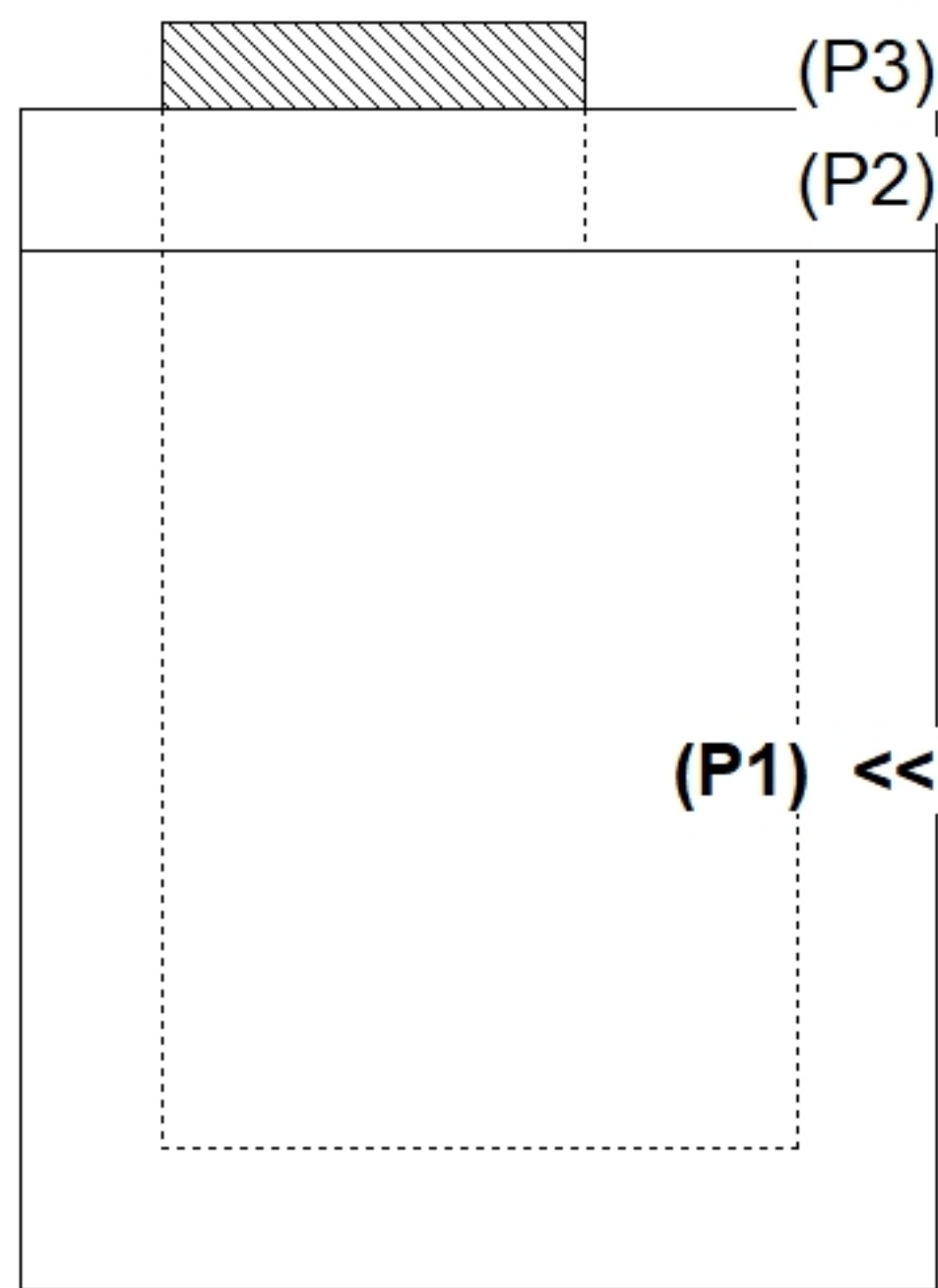
REINFORCING PER ASTM A615 (GRADE 60).
 - TOP SLAB (As .62) #5 BARS AT 6" C.C.E.W. (DBL MAT.)
 - WALLS (As .31) #5 BARS AT 12" C.C.E.W.
 - FLOOR (As .31) #5 BARS AT 12" C.C.E.W.

Rim: 744.15' Rim to Invert: 5.33' Slack: -0.04" Sump: 0" Step Position:

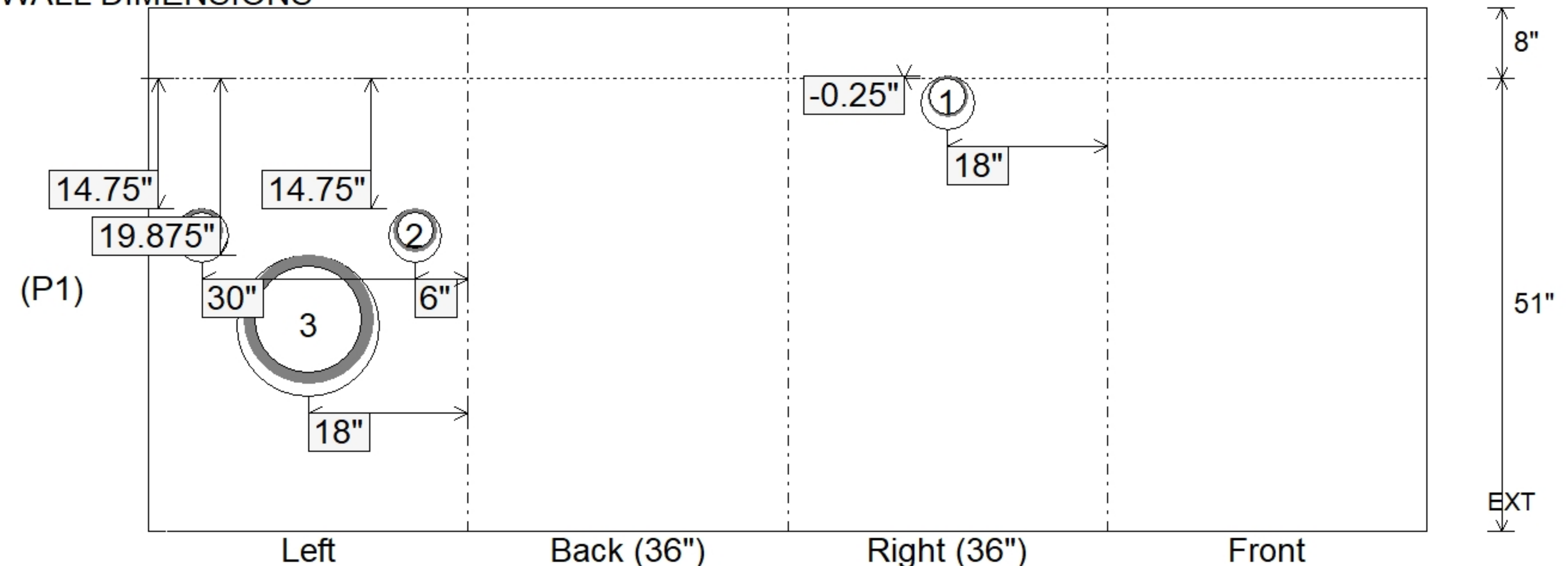
Position	Elev	Angle	Ext. (cw)	Pipe	Pipe OD	Connector	Hole	Horz Size	Up ()	Offset
Invert 1	738.82'	90°	26"	4" PVC SCH40	4.5"	Hole 6	6"	6"	-0.25"	0"
Invert 2	740.08'	270°	14"	4" HDPE (perf pipe)	4.8"	Hole 6	6"	6"	14.75"	-12"
Invert 3	740.58'	270°	26"	12" HDPE (perf pipe)	14.5"	Hole 16	16"	16"	19.875"	0"
Invert 4	740.08'	270°	38"	4" HDPE (perf pipe)	4.8"	Hole 6	6"	6"	14.75"	12"
Invert 5										
Invert 6										
Invert 7										
Invert 8										

RIGHT-SIDE UP VIEW (int. dimensions)

UPSIDE-DOWN VIEW (int. dimensions)



INSIDE WALL DIMENSIONS



Coating (Int): Coating (Ext):	Seam Up: Flat Seam Dn: n/a	Wall Thickness: 8" Floor Height: 8"	Height (Int): 51" Height (Ext): 59"	Weight (Net): 7649 lb Volume (Net): 1.95cu.yd
----------------------------------	-------------------------------	--	--	--