

Job Name: 26-1150 One Senior Care
 Job Location: Morehead, KY
 Contractor: W Principles

Plant: 100
 2/10/2026 3:45:08 PM

Tech: J. Horsley
 PC: E. Bradley



Structure ID: CI 1 (4)

P2 BX3636_08TS8

CB FLAT TOP 8"W w/24"x24" HOLE F/F

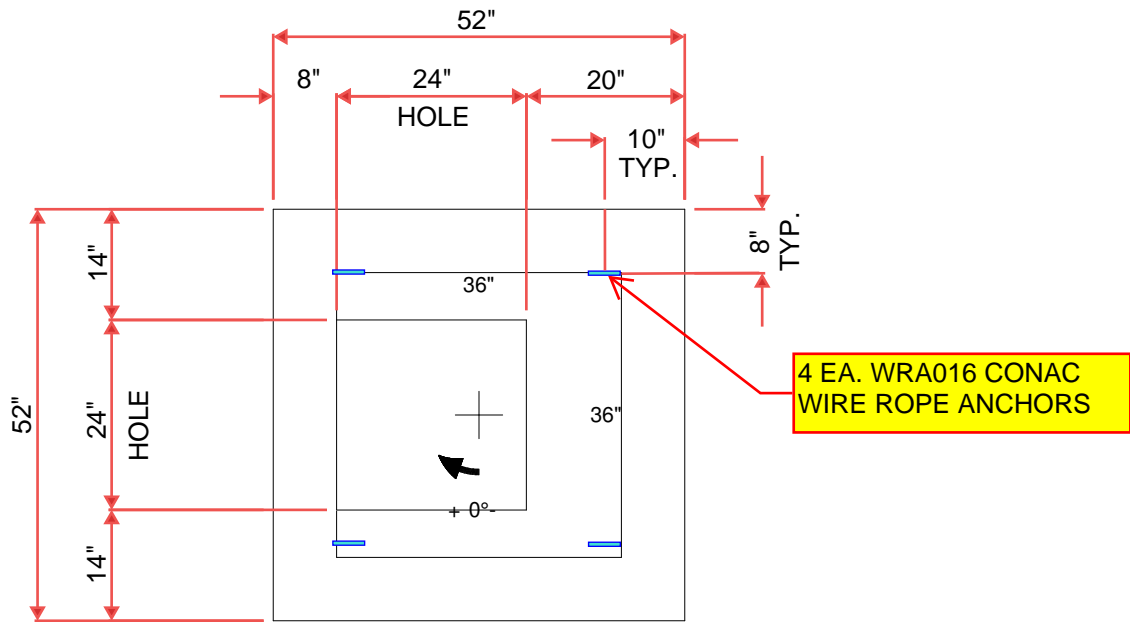
- P3) 24" x 24" - CASTING HEIGHT - 5"
- P2) 36" x 36" - CB FLAT TOP 8"W w/24"x24" HOLE F/F - 8"
- P1) 36" x 36" - BOX BASE 8inW, 8inF, Variable Ht F/n - 51"
- 1) CASTING - HOE KY-465 SET (CBI TY F)
- 1) 36" x 36" - Conseal CS-102 1.00"
- 1) 24" x 24" - Conseal CS-102 1.00"
- 3) Hole - 6
- 1) Hole - 16

0 lb
 1429 lb
 7649 lb
 465 lb
 0 lb
 0 lb
 0 lb
 0 lb

 Structure Total: 9542 lb

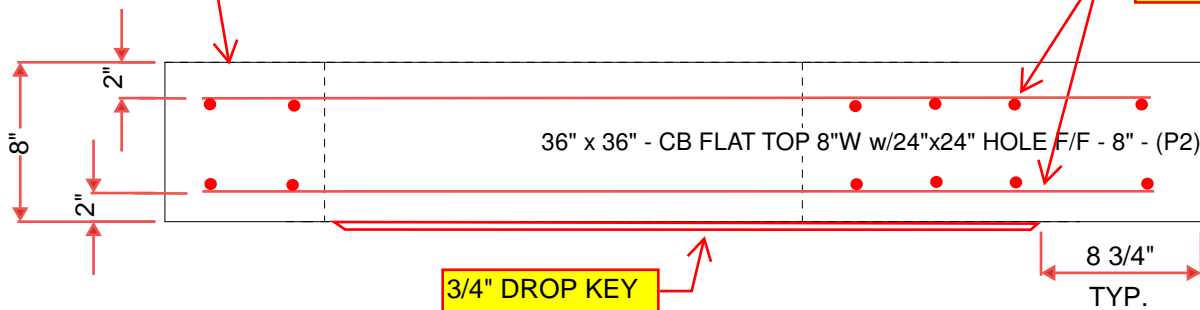
Structure Notes:
 ** KYTC STATE PROJECT **
 1. KYTC CBI TYPE F / ASTM C913 SPECIFICATIONS.
 2. CONCRETE = 4,000 PSI AT 28 DAYS.
 3. NO STEPS & NO INVERT CHANNEL.
 4. CASTING BY ICAST (HOE KY-465 F/G/H).
 5. PIPE GUARD LFG-10 FOR OUTLET PIPE PROVIDED BY ICAST.

REINFORCING PER ASTM A615 (GRADE 60).
 - TOP SLAB (As .62) #5 BARS AT 6" C.C.E.W. (DBL MAT.)
 - WALLS (As .31) #5 BARS AT 12" C.C.E.W.
 - FLOOR (As .31) #5 BARS AT 12" C.C.E.W.



FLOAT FINISH ON TOP SURFACE

#5 BARS AT 6" C.C.E.W TOP & BOTTOM



Coating (Int):
 Coating (Ext):

Seam Up: Flat
 Seam Dn: Flat

Wall Thickness: 8"

Height (Ext): 8"

Weight (Net): 1429 lb
 Volume (Net): 0.36cu.yd

Job Name: 26-1150 One Senior Care
 Job Location: Morehead, KY
 Contractor: W Principles

Plant: 100
 2/10/2026 3:45:08 PM

Tech: J. Horsley
 PC: E. Bradley



Structure ID: JB 1

P2 BX036048-08LD08S

CB FLAT TOP 8"W w/24" HOLE F/F

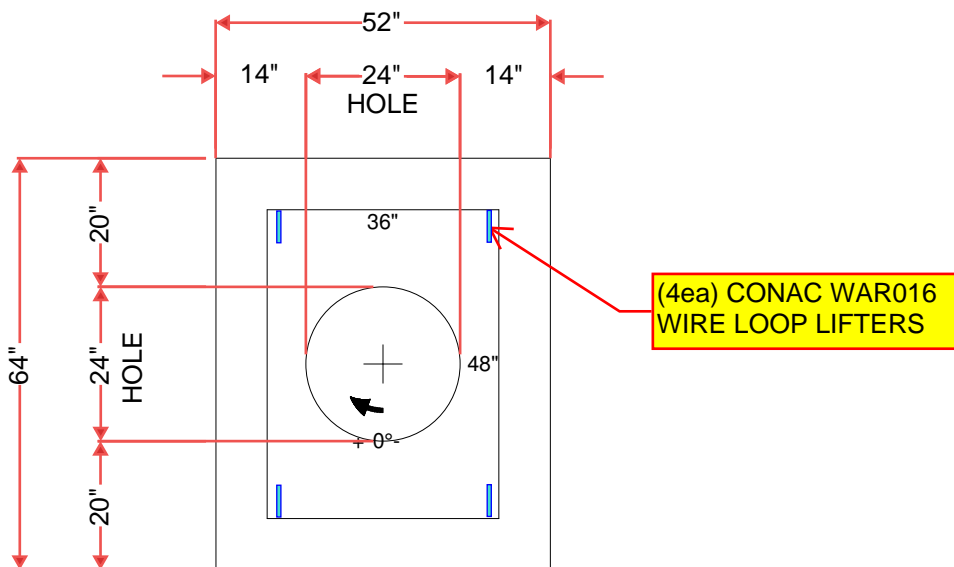
- P3) 24" - CASTING HEIGHT - 8"
- P2) 36" x 48" - CB FLAT TOP 8"W w/24" HOLE F/F - 8"
- P1) 36" x 48" - BOX BASE 8inW, 8inF, Variable Ht F/n - 23"
- 1) CASTING - HOE KY-465 SET (CBI TY F)
- 1) 36" x 48" - Conseal CS-102 1.00"
- 3) Hole - 16

0 lb
 1930 lb
 4895 lb
 465 lb
 0 lb
 0 lb

 Structure Total: 7290 lb

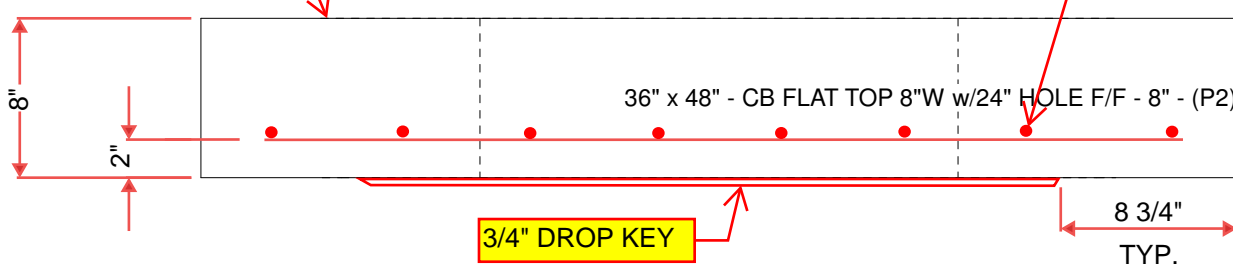
Structure Notes:
 ** KYTC STATE PROJECT **
 1. KYTC JUNCTION BOX B2 / PER ASTM C913 SPEC'S.
 2. CONCRETE = 4,000 PSI AT 28 DAYS.
 3. CASTING BY ICAST (HOE KY-510 F/C)

REINFORCING PER ASTM A615 (GRADE 60).
 - TOP SLAB (As. 62) #5 BARS AT 6" C.C.E.W.
 - WALLS (As .31) #5 BARS AT 12" C.C.E.W.
 - FLOOR (As .31) #5 BARS AT 12: C.C.E.W.



FLOAT FINISH ON TOP SURFACE

#5 BARS AT 6" C.C.E.W
 2" CLR. TYPICAL



Coating (Int): Coating (Ext):	Seam Up: Flat Seam Dn: Flat	Wall Thickness: 8"	Height (Ext): 8"	Weight (Net): 1930 lb Volume (Net): 0.49cu.yd
----------------------------------	--------------------------------	--------------------	------------------	--