

Job Name: 26-1141 - KYTC Warren Co (261106)  
 Job Location: Bowling Green, KY  
 Contractor: Mick-Murf Construction Inc.

Plant: 100  
 3/17/2026 4:01:06 PM

Tech: Jared - F  
 PC: C. Goff



**Structure ID: A22 (22)**

**P1 BX24300808VF**

**BOX BASE 8inW, 8inF, Variable Ht F/n**

- P2) 24" x 30" - CASTING HEIGHT - 3.75"
- P1) 24" x 30" - BOX BASE 8inW, 8inF, Variable Ht F/n - 43"
- 1) 24" x 30" - Conseal CS-102 1.00"
- 1) Hole - 18

0 lb  
 5106 lb  
 0 lb  
 0 lb  
 -----  
 Structure Total: 5106 lb

Structure Notes:  
**\*\*KYTC STATE PROJECT\*\***  
 1. KYTC DBI TYPE 11 / ASTM C-913 SPEC'S.  
 2. CONCRETE = 4,000 PSI AT 28 DAYS.  
 3. CASTING SUPPLIED BY OTHERS (HOE KY-460-11 F/G (DBI 11)).

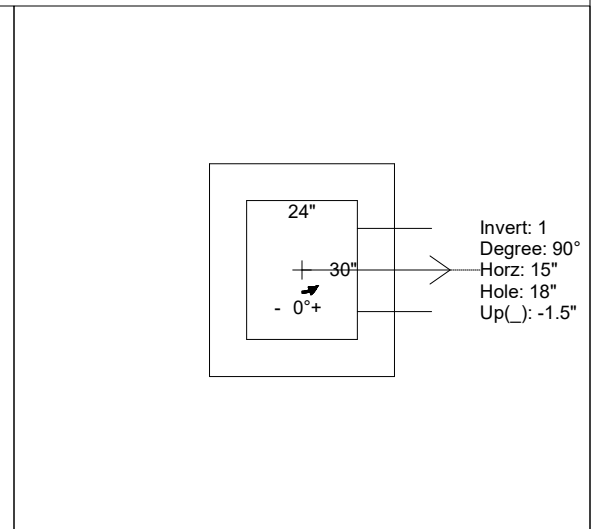
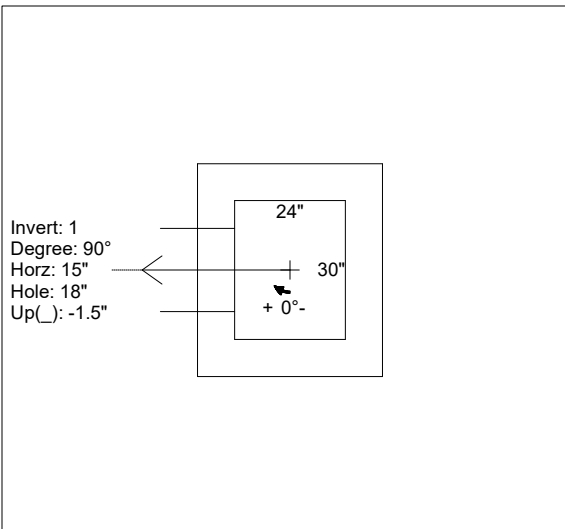
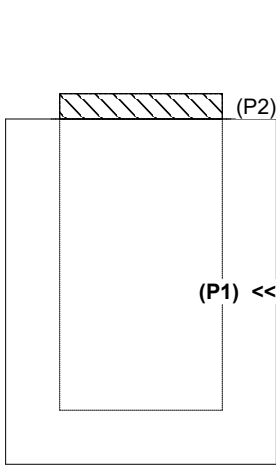
REINFORCING PER ASTM A615 (GRADE 60).  
 - WALLS (As .31) #5 BARS AT 12" C.C.E.W..  
 - FLOOR (As .31) #5 BARS AT 12" C.C.E.W.

Rim: 482.94' Rim to Invert: 4.2' Slack: 3.65" Sump: 0" Step Position:

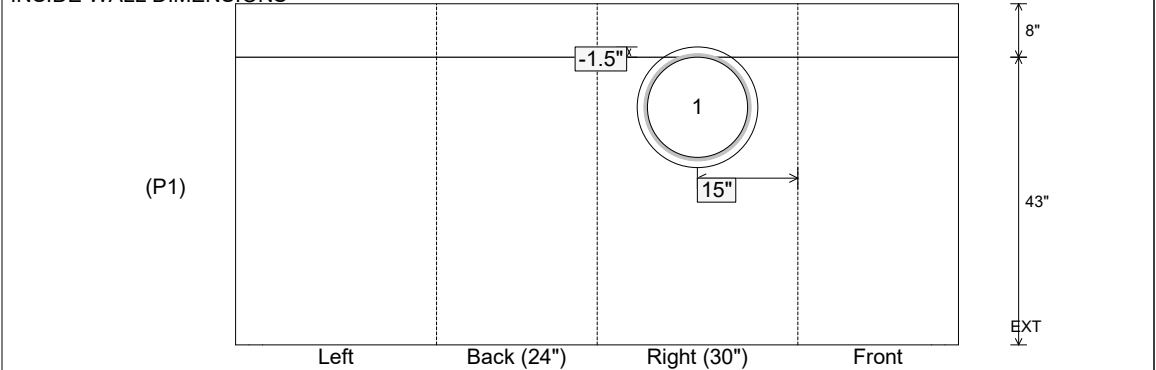
Position	Elev	Angle	Ext. (cw)	Pipe	Pipe OD	Connector	Hole	Horz Size	Up (⌋)	Offset
Invert 1	478.74'	90°	23"	15" CMP	16"	Hole 18	18"	18"	-1.5"	0"
Invert 2										
Invert 3										
Invert 4										
Invert 5										
Invert 6										
Invert 7										
Invert 8										

RIGHT-SIDE UP VIEW (int. dimensions)

UPSIDE-DOWN VIEW (int. dimenions)



INSIDE WALL DIMENSIONS



Coating (Int):  
 Coating (Ext):

Seam Up: Flat  
 Seam Dn: n/a

Wall Thickness: 8"  
 Floor Height: 8"

Height (Int): 43"  
 Height (Ext): 51"

Weight (Net): 5106 lb  
 Volume (Net): 1.3cu.yd