

Job Name: 26-1141 - KYTC Warren Co (261106)
 Job Location: Bowling Green, KY
 Contractor: Mick-Murf Construction Inc.

Plant: 100
 3/17/2026 4:00:59 PM

Tech: Jared - F
 PC: C. Goff



Structure ID: A17 (13)

P1 BX2424-08BAVF

BOX BASE 8inW, 8inF, Variable Ht T/n

- P3) 8" x 120" - CB INLET KY B 10' TOP F/G - 9"
- P2) 24" x 120" - CB INLET KY B 10' BOTTOM RIGHT T/G - 17"
- P1) 24" x 24" - BOX BASE 8inW, 8inF, Variable Ht T/n - 27"
- 1) 24" x 24" - Conseal CS-102 1.00"
- 2) Hole - 18

1660 lb
 2650 lb
 3052 lb
 0 lb
 0 lb

 Structure Total: 7362 lb

Structure Notes:
 ** KYTC STATE PROJECT **
 1. PER KYTC CBI TYPE B / ASTM C913 SPEC'S.
 2. CONCRETE = 4,000 PSI AT 28 DAYS.
 3. CASTING SUPPLIED BY OTHERS (HOE KY-345 SET (CBI B)).

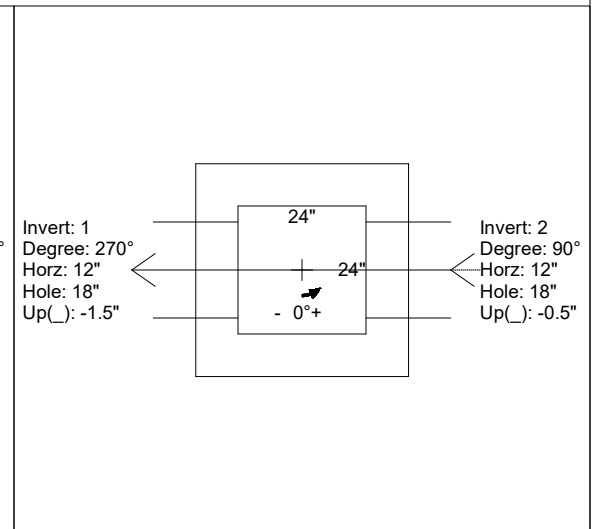
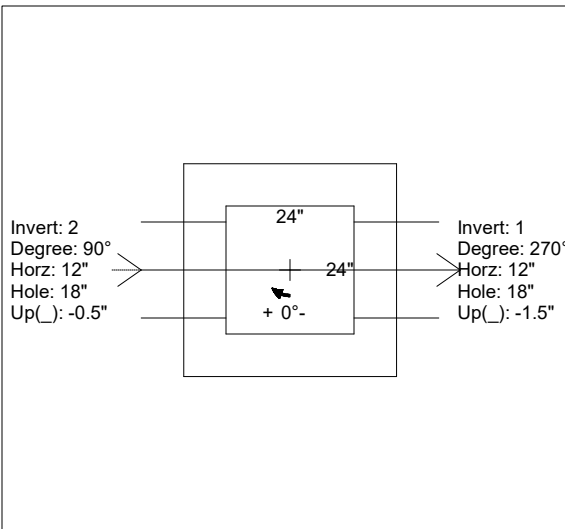
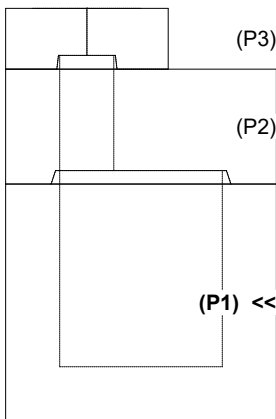
REINFORCING PER ASTM A615 (GRADE 60).
 - TOP PHASE (As .62) #5 BARS AT 6" C.C.E.W.
 - WALLS (As .31) #5 BARS AT 12" C.C.E.W.
 - FLOOR (As .31) #5 BARS AT 12" C.C.E.W.

Rim: 494.17' Rim to Invert: 4.78' Slack: 4.36" Sump: 0" Step Position:

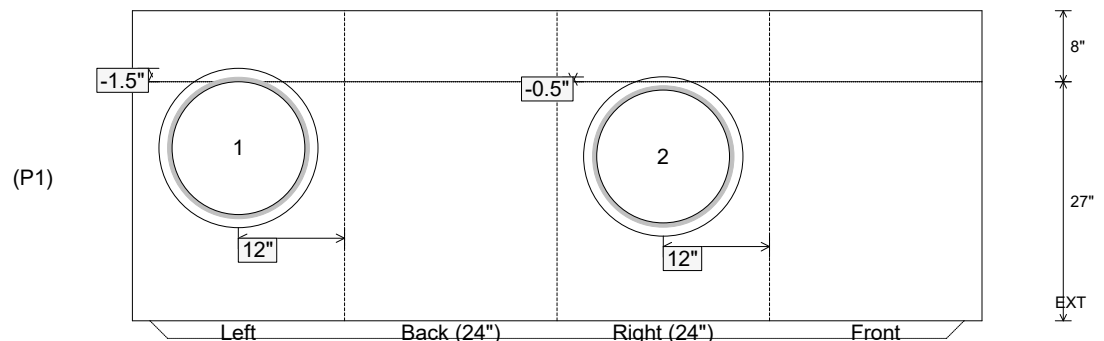
| Position | Elev | Angle | Ext. (cw) | Pipe | Pipe OD | Connector | Hole | Horz Size | Up (↓) | Offset |
|----------|---------|-------|-----------|---------|---------|-----------|------|-----------|--------|--------|
| Invert 1 | 489.39' | 270° | 20" | 15" CMP | 16" | Hole 18 | 18" | 18" | -1.5" | 0" |
| Invert 2 | 489.47' | 90° | 20" | 15" CMP | 16" | Hole 18 | 18" | 18" | -0.5" | 0" |
| Invert 3 | | | | | | | | | | |
| Invert 4 | | | | | | | | | | |
| Invert 5 | | | | | | | | | | |
| Invert 6 | | | | | | | | | | |
| Invert 7 | | | | | | | | | | |
| Invert 8 | | | | | | | | | | |

RIGHT-SIDE UP VIEW (int. dimensions)

UPSIDE-DOWN VIEW (int. dimensions)



INSIDE WALL DIMENSIONS



Coating (Int):
 Coating (Ext):

Seam Up: Tongue
 Seam Dn: n/a

Wall Thickness: 8"
 Floor Height: 8"

Height (Int): 27"
 Height (Ext): 35"

Weight (Net): 3052 lb
 Volume (Net): 0.78cu.yd