

Job Name: 26-1141 - KYTC Warren Co (261106)
Job Location: Bowling Green, KY
Contractor: Mick-Murf Construction Inc.

PC: C. Goff
 TECH: Jared - F
 Plant: 100



Structure ID: **A15 (30)**
 Spec: KYTC
 Type: CBI TYPE B (10')
 Size: 24" x 24"

Rim: 487.77'
 Invert: 483.12'
 Rim to Invert: 4.65'

Sump: 0"
 Floor (Top): 483.12'
 Floor Height: 8"

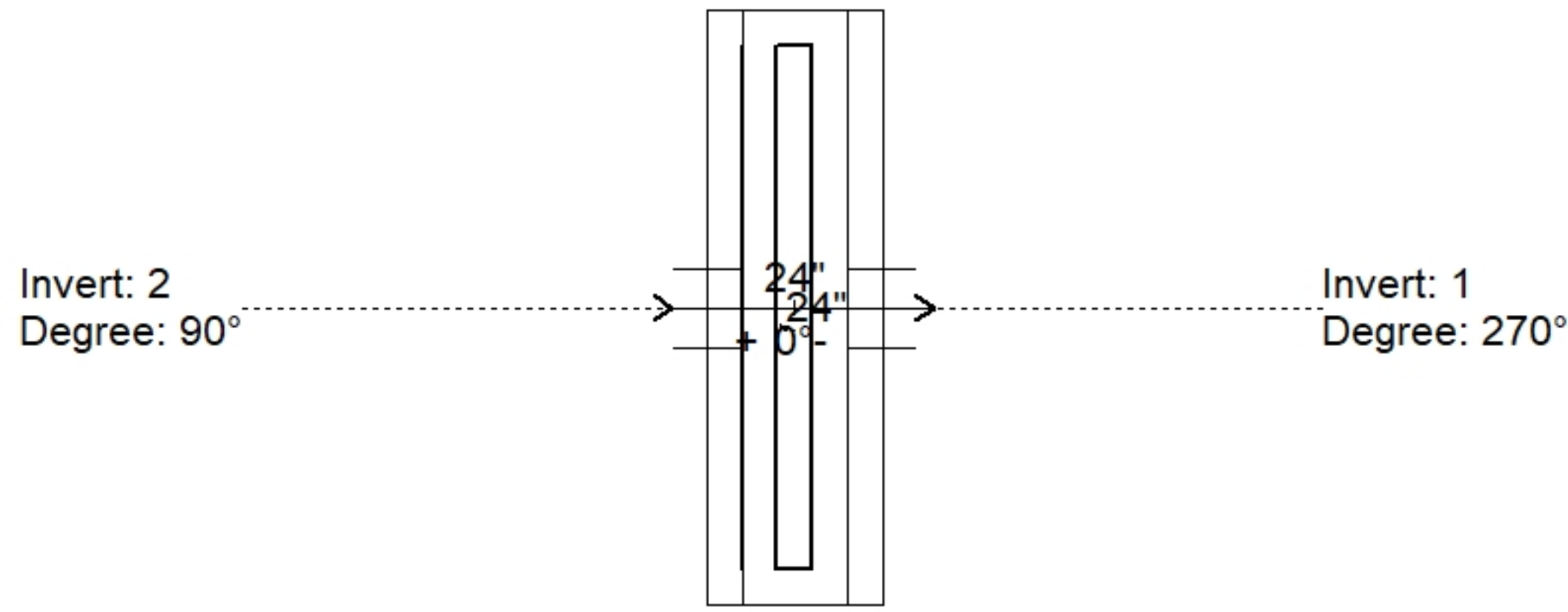
Floor (Bot): 482.453'
 Overall Height: 5'
 Slack: 3.8"

Structure Notes:

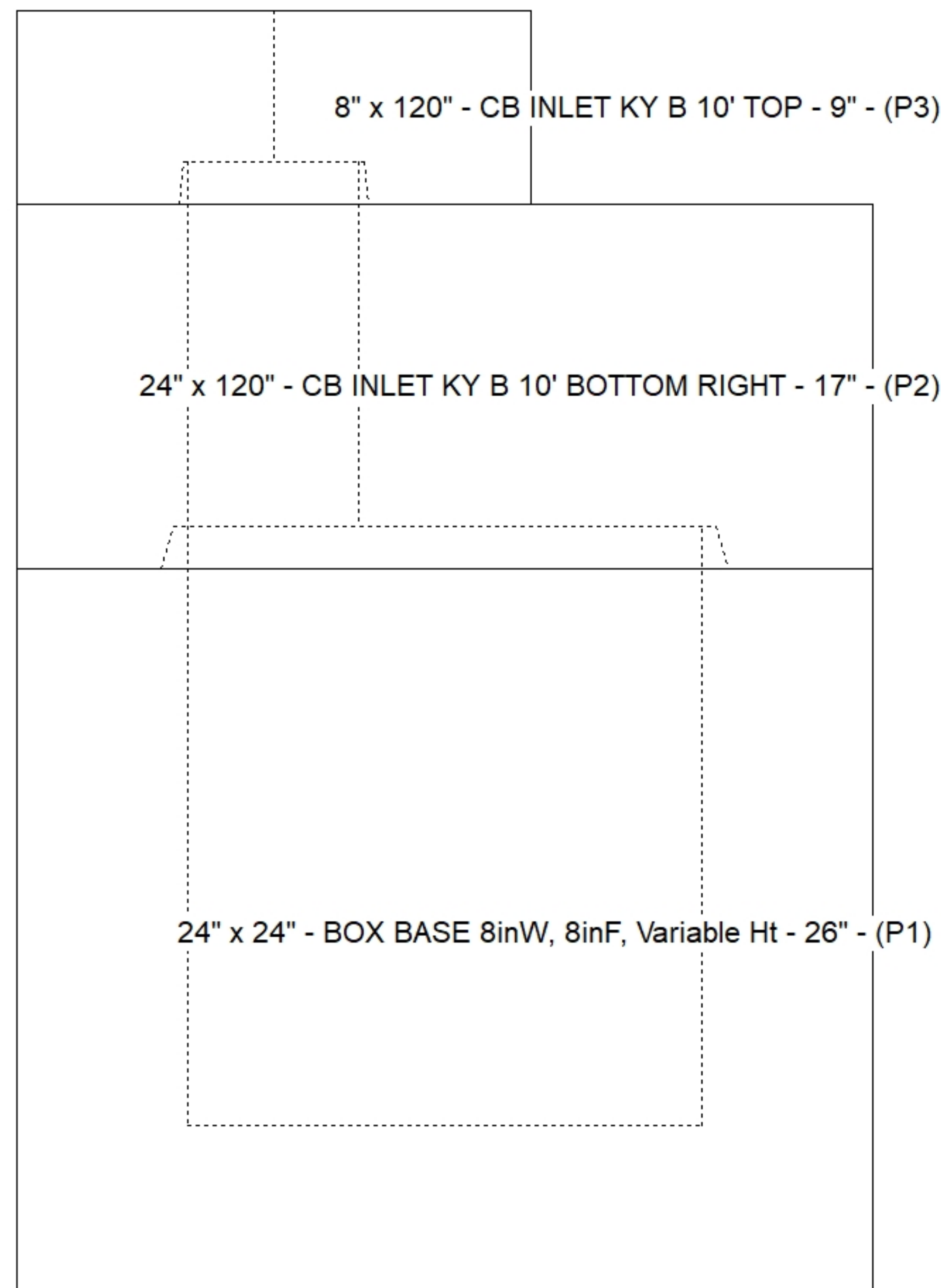
- ** KYTC STATE PROJECT **
- PER KYTC CBI TYPE B / ASTM C913 SPEC'S.
 - CONCRETE = 4,000 PSI AT 28 DAYS.
 - CASTING SUPPLIED BY OTHERS (HOE KY-345 SET (CBI B)).
- REINFORCING PER ASTM A615 (GRADE 60).
 - TOP PHASE (As .62) #5 BARS AT 6" C.C.E.W.
 - WALLS (As .31) #5 BARS AT 12" C.C.E.W.
 - FLOOR (As .31) #5 BARS AT 12" C.C.E.W.

STRUCTURE SUMMARY:

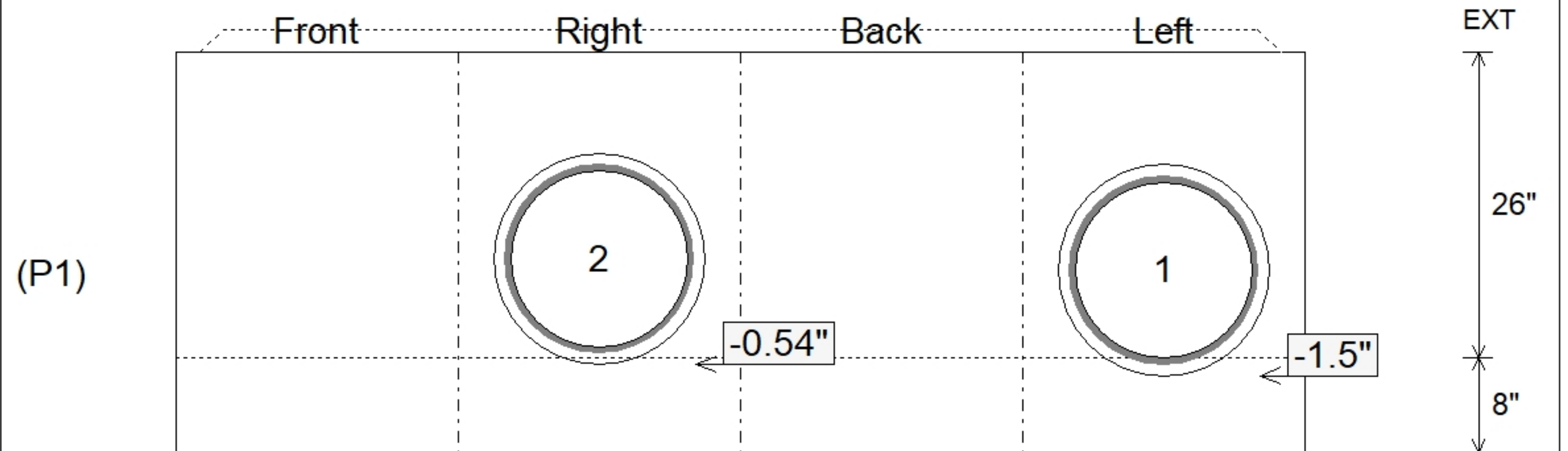
| | |
|--|----------------|
| P3) 8" x 120" - CB INLET KY B 10' TOP - 9" | 1660 lb |
| P2) 24" x 120" - CB INLET KY B 10' BOTTOM RIGHT - 17" | 2650 lb |
| P1) 24" x 24" - BOX BASE 8inW, 8inF, Variable Ht - 26" | 2966 lb |
| 1) 24" x 24" - Conseal CS-102 1.00" | 0 lb |
| 2) Hole - 18 | 0 lb |
| Structure Total: | 7276 lb |



| Position | Elev | Angle | Pipe | Pipe OD | Hole | Connector | Up (L) | Ref |
|----------|---------|-------|---------|---------|------|-----------|--------|-----|
| Rim | 487.77' | | | | | | | |
| Reducer | | | | | | | | |
| Invert 1 | 483.12' | 270° | 15" CMP | 16" | 18" | Hole 18 | -1.5" | P1 |
| Invert 2 | 483.2' | 90° | 15" CMP | 16" | 18" | Hole 18 | -0.54" | P1 |
| Invert 3 | | | | | | | | |
| Invert 4 | | | | | | | | |
| Invert 5 | | | | | | | | |
| Invert 6 | | | | | | | | |
| Invert 7 | | | | | | | | |
| Invert 8 | | | | | | | | |



Default - Interior Dimensions



Submittal Drawing
 3/23/2026 1:18:32 PM

SUBMITTAL
 APPROVED BY: