

**Job Name: 26-1141 - KYTC Warren Co (261106)**  
**Job Location: Bowling Green, KY**  
**Contractor: Mick-Murf Construction Inc.**

PC: C. Goff  
 TECH: Jared - F  
 Plant: 100



Structure ID: **A09 (23)**  
 Spec: KYTC  
 Type: MH A  
 Size: 48"

Rim: 481.72'  
 Invert: 476.98'  
 Rim to Invert: 4.74'

Sump: 3"  
 Floor (Top): 476.73'  
 Floor Height: 6"

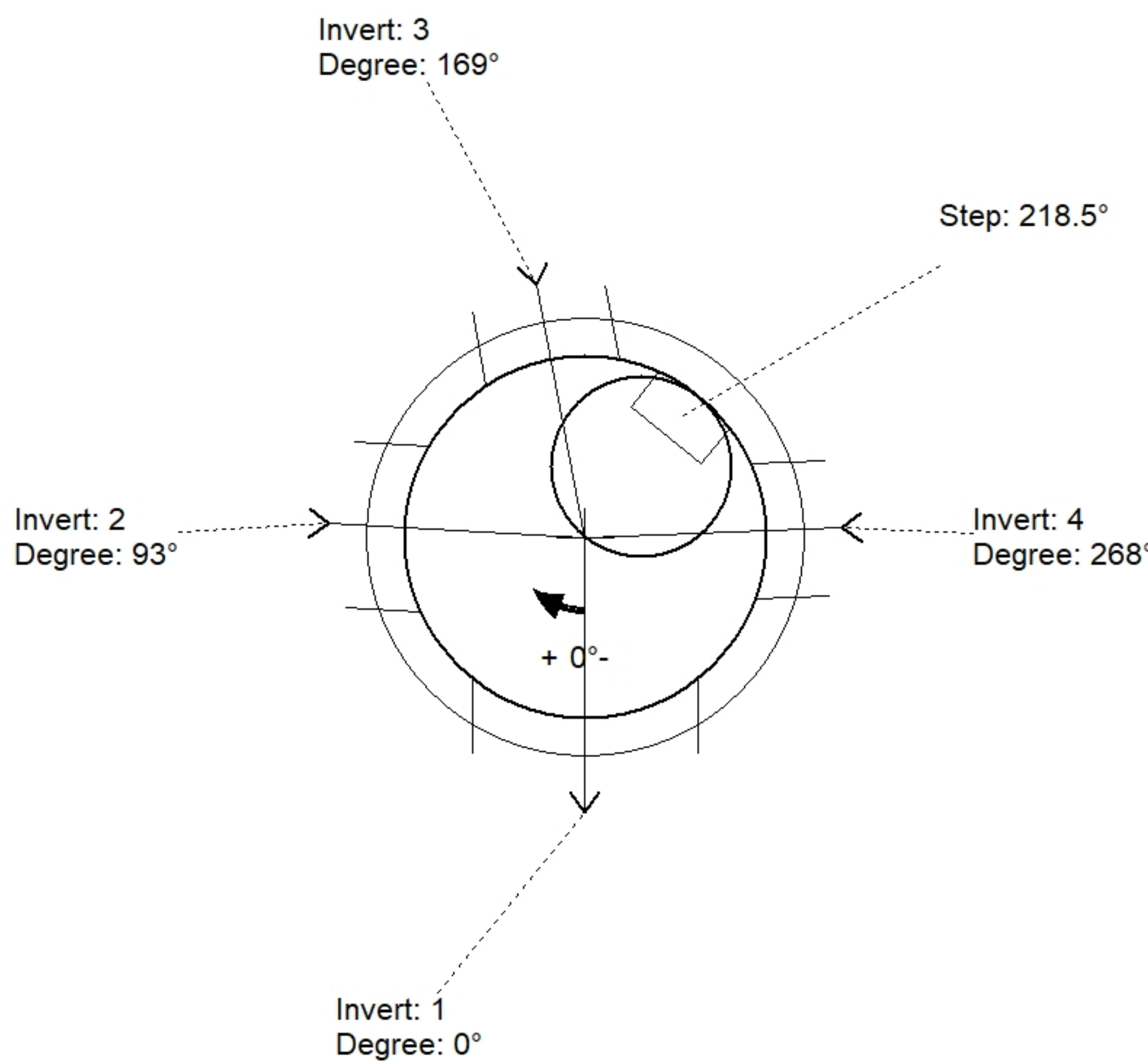
Floor (Bot): 476.23'  
 Overall Height: 5.083'  
 Slack: 4.88"

**Structure Notes:**

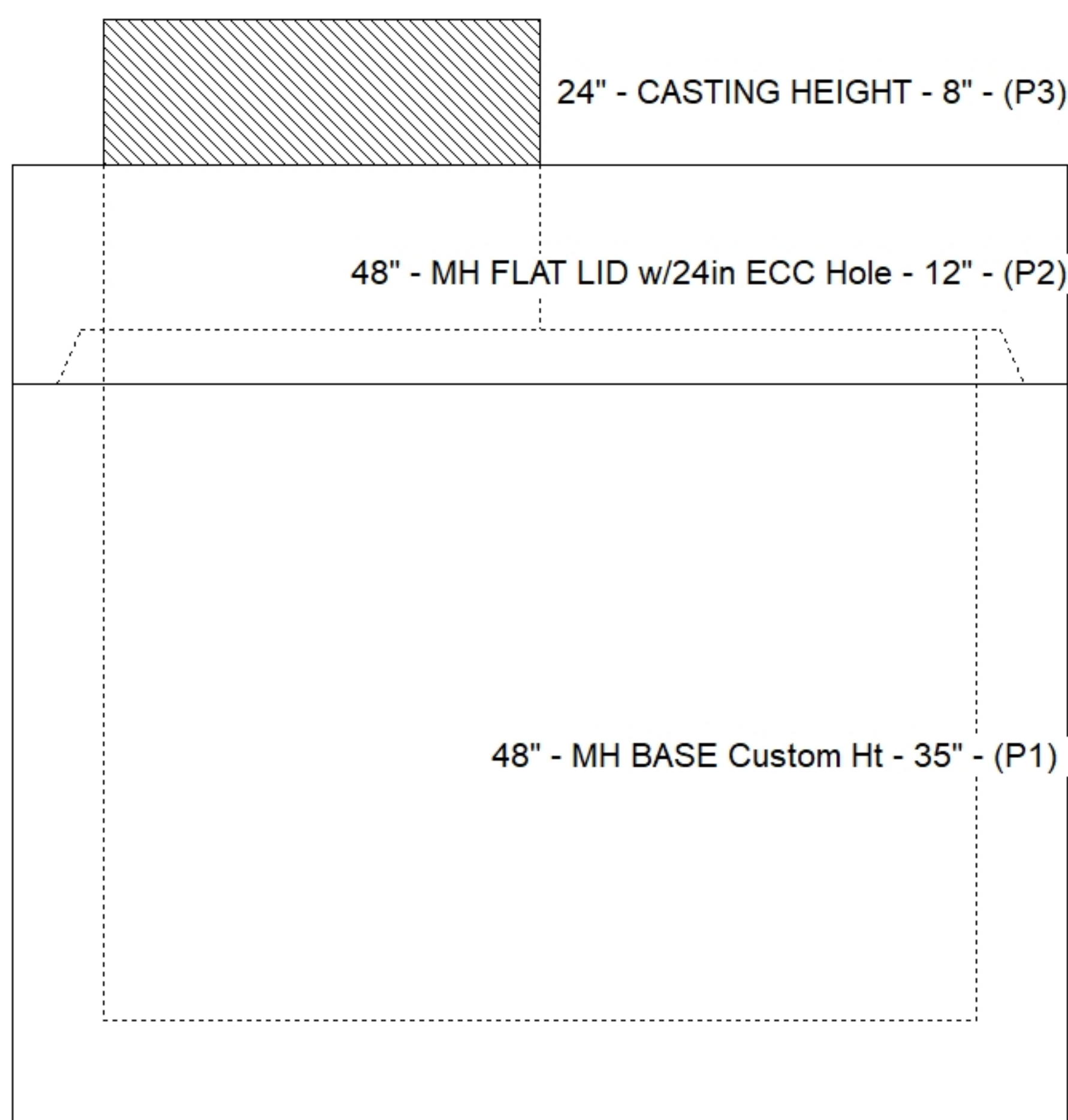
- \*\*KYTC STATE PROJECT\*\***
- PER KYTC MH A / ASTM C478 SPEC'S.
  - CONCRETE = 4,000 PSI AT 28 DAYS.
  - CASTING SUPPLIED BY OTHERS (HOE KY-510 F/C).
- REINFORCING PER ASTM A615 (GRADE 60.)
- TOP SLAB (As .62) #5 BARS AT 6" C.C.E.W..
  - RISER/WALLS (As .12)
  - FLOOR (As .31) #5 BARS AT 12" C.C.E.W.

**STRUCTURE SUMMARY:**

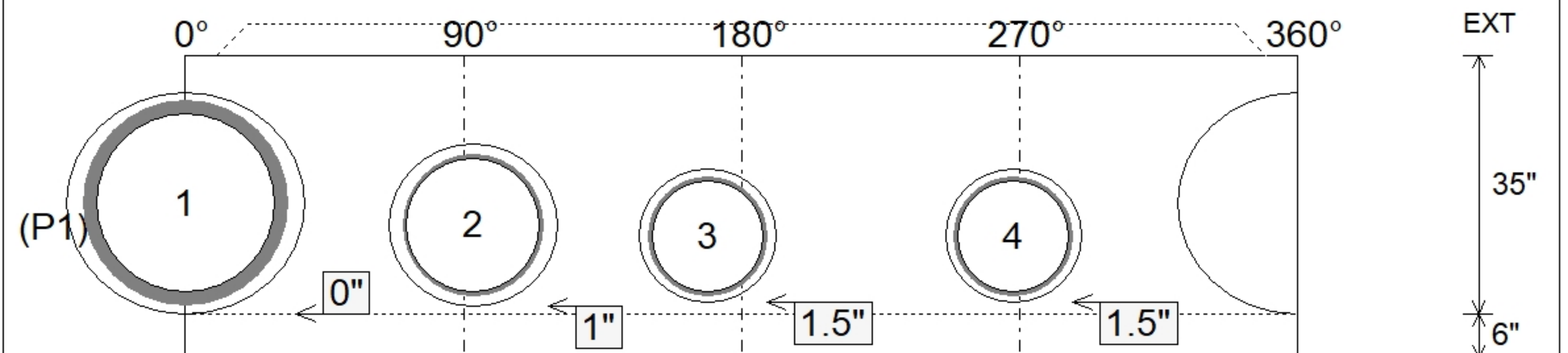
P3) 24" - CASTING HEIGHT - 8"	0 lb
P2) 48" - MH FLAT LID w/24in ECC Hole - 12"	1561 lb
P1) 48" - MH BASE Custom Ht - 35"	3077 lb
1) 48" - Conseal CS-102 1.00"	0 lb
1) Hole - 30	0 lb
1) Hole - 22	0 lb
2) Hole - 18	0 lb
3) MH Step ML-10-TDS-NCR - 10"	0 lb
<b>Structure Total:</b>	<b>4638 lb</b>



Position	Elev	Angle	Pipe	Pipe OD	Hole	Connector	Up (")	Ref
Rim	481.72'							
Reducer								
Invert 1	476.98'	0°	24" HDPE	27.8"	30"	Hole 30	0"	P1
Invert 2	476.98'	93°	18" CMP	19"	22"	Hole 22	1"	P1
Invert 3	476.98'	169°	15" CMP	16"	18"	Hole 18	1.5"	P1
Invert 4	476.98'	268°	15" CMP	16"	18"	Hole 18	1.5"	P1
Invert 5								
Invert 6								
Invert 7								
Invert 8								



**Default - Interior Dimensions**



Submittal Drawing  
 3/23/2026 1:18:29 PM

SUBMITTAL  
 APPROVED BY: