

Job Name: 26-1141 - KYTC Warren Co (261106)
 Job Location: Bowling Green, KY
 Contractor: Mick-Murf Construction Inc.

Plant: 100
 3/18/2026 7:24:10 PM

Tech: Jared - F
 PC: C. Goff



Structure ID: A09 (23)

P1 MH048BAVF

MH BASE Custom Ht T/n

- P3) 24" - CASTING HEIGHT - 8"
- P2) 48" - MH FLAT LID w/24in ECC Hole F/G - 12"
- P1) 48" - MH BASE Custom Ht T/n - 35"
- 1) 48" - Conseal CS-102 1.00"
- 1) Hole - 30
- 1) Hole - 22
- 2) Hole - 18
- 3) MH Step ML-10-TDS-NCR - 10"

0 lb
 1561 lb
 3077 lb
 0 lb
 0 lb
 0 lb
 0 lb
 0 lb
 Structure Total: 4638 lb

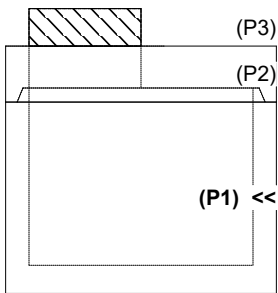
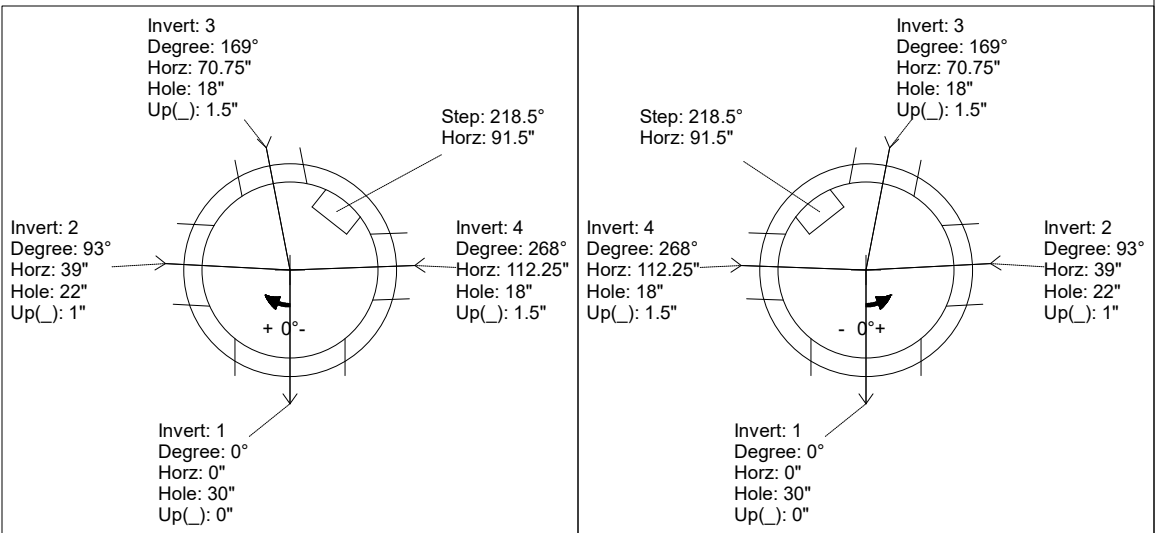
Structure Notes:
 KYTC STATE PROJECT
 1. PER KYTC MH A / ASTM C478 SPEC'S.
 2. CONCRETE = 4,000 PSI AT 28 DAYS.
 3. CASTING SUPPLIED BY OTHERS (HOE KY-510 F/C).
 REINFORCING PER ASTM A615 (GRADE 60.)
 - TOP SLAB (As .62) #5 BARS AT 6" C.C.E.W..
 - RISER/WALLS (As .12)
 - FLOOR (As .31) #5 BARS AT 12" C.C.E.W.

Rim: 481.72' Rim to Invert: 4.74' Slack: 4.88" Sump: 3" Step Position: 218.5°

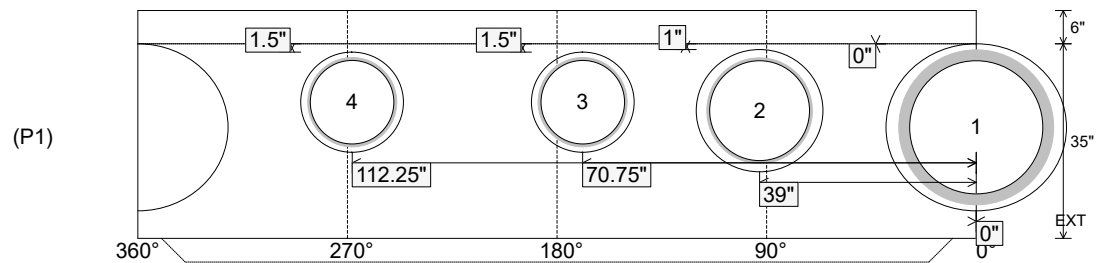
Position	Elev	Angle	Ext. (cw)	Pipe	Pipe OD	Connector	Hole	Horz Size	Up ()	Offset
Invert 1	476.98'	0°	0"	24" HDPE	27.8"	Hole 30	30"	32.406"	0"	0"
Invert 2	476.98'	93°	47.125"	18" CMP	19"	Hole 22	22"	22.854"	1"	0"
Invert 3	476.98'	169°	85.5"	15" CMP	16"	Hole 18	18"	18.451"	1.5"	0"
Invert 4	476.98'	268°	135.625"	15" CMP	16"	Hole 18	18"	18.451"	1.5"	0"
Invert 5										
Invert 6										
Invert 7										
Invert 8										

RIGHT-SIDE UP VIEW (int. dimensions)

UPSIDE-DOWN VIEW (int. dimensions)



INSIDE WALL DIMENSIONS



Coating (Int):
 Coating (Ext):

Seam Up: Tongue
 Seam Dn: n/a

Wall Thickness: 5"
 Floor Height: 6"

Height (Int): 35"
 Height (Ext): 41"

Weight (Net): 3077 lb
 Volume (Net): 0.79cu.yd